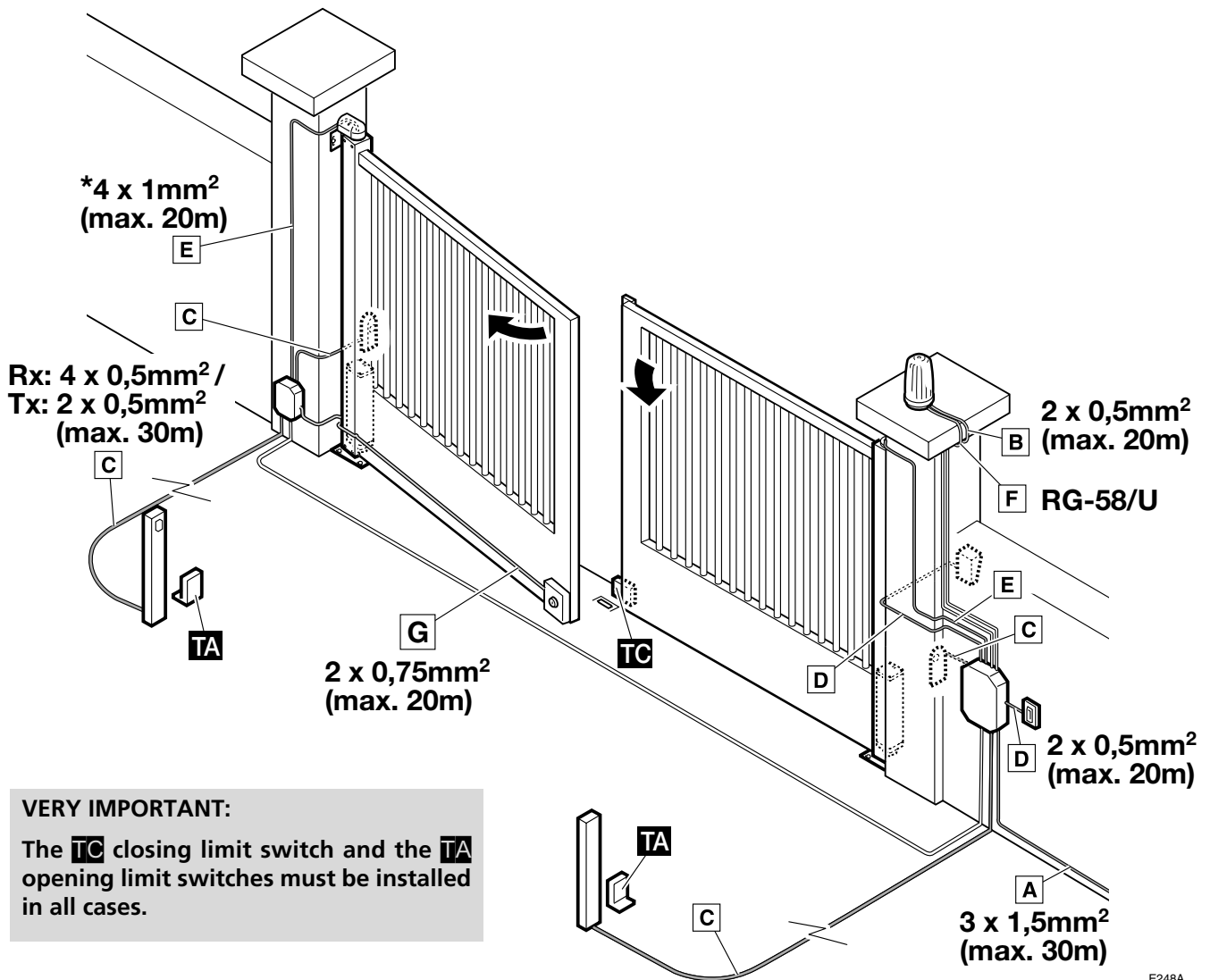


**WARNING**

This quick guide is a summary of the complete installation manual. The manual contains safety warnings and other explanations which must be taken into account. The installation manual can be downloaded by going to the "Downloads" section of Erreka website: <http://www.erreka.com>

**Elements of the complete installation**



**VERY IMPORTANT:**

The **TC** closing limit switch and the **TA** opening limit switches must be installed in all cases.

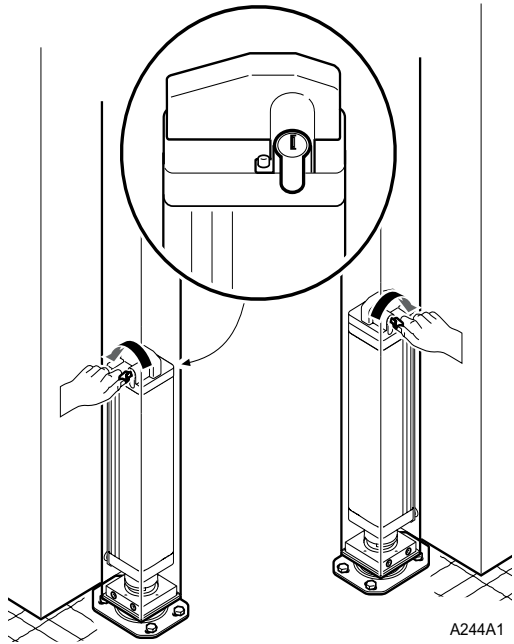
**Electrical wiring**

- A: Main power supply
- B: LUMI flashing light
- C: Photocells (Rx/Tx)
- D: Pushbutton/key switch
- E: Operator \*:
  - motor: 4x1mm<sup>2</sup>
  - brake: 2x1mm<sup>2</sup>
  - encoder: shielded cable 2x0.5mm<sup>2</sup>
- F: LUMI built-in antenna
- G: Electrolock

✎ The electrolock is obligatory for operators without lock (MA210 and MA250). For operators with lock, the electrolock must be used for gate leaf lengths of over 1.8m.

**\*NOTE:** the electrical installation of the operator can be done correctly and straightforwardly using the cable with AICY8 code, which ERREKA can supply by metre. This cable has the characteristics 4x1mm<sup>2</sup>+2x1mm<sup>2</sup>+ ((2x0.5mm<sup>2</sup>)) and was developed specifically for this use.

## Unlocked (only for models with brake)



### Unlocked for manual operation:

- Insert the key in the lock for unlocking and turn approximately 120° towards the side of the wall.

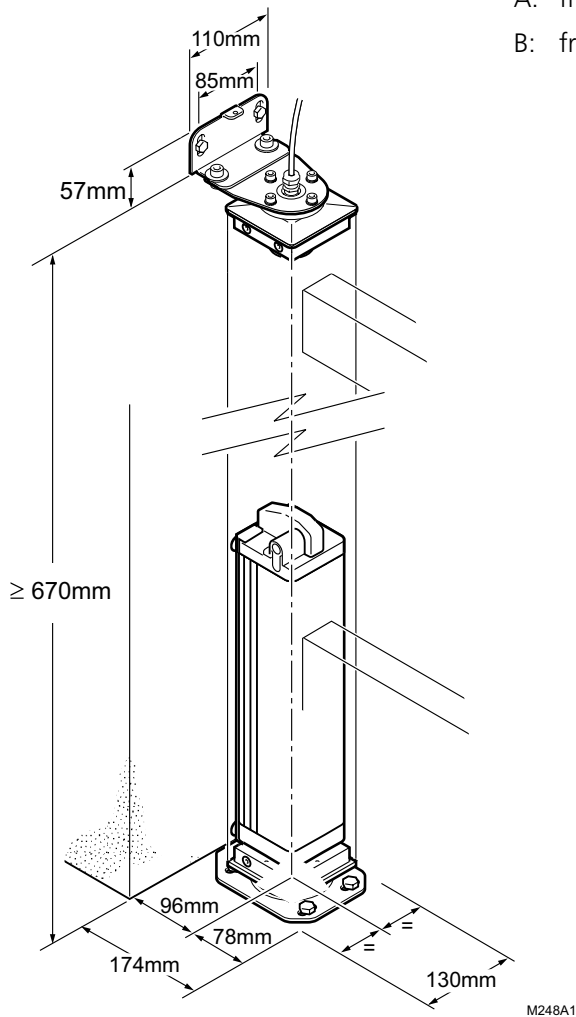
### Lock for motorised operation:

- Turn the key again 120° away from the wall to lock.

A244A1

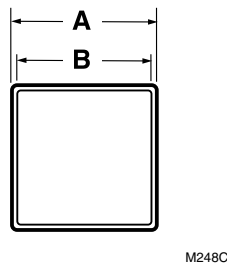
## Assembly levels

### General levels



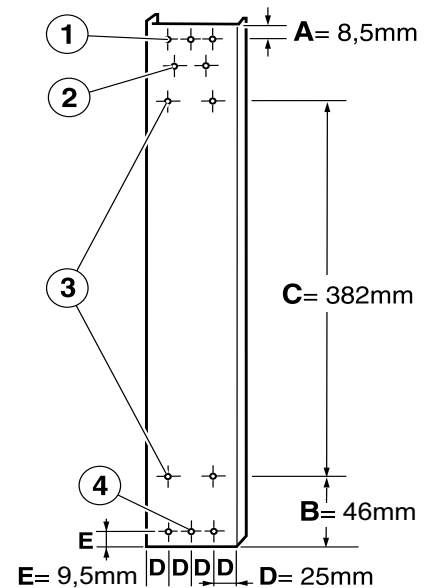
### Frame dimensions

- A: frame exterior: 100 mm
- B: frame interior: 100x100x3



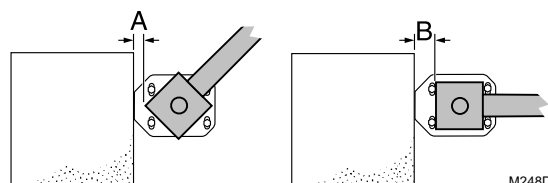
### Template to make the orifices

- 1 Holes for upper profile cover attachment
- 2 Holes for lock
- 3 Motor attachment holes
- 4 Holes for lower profile cover attachment



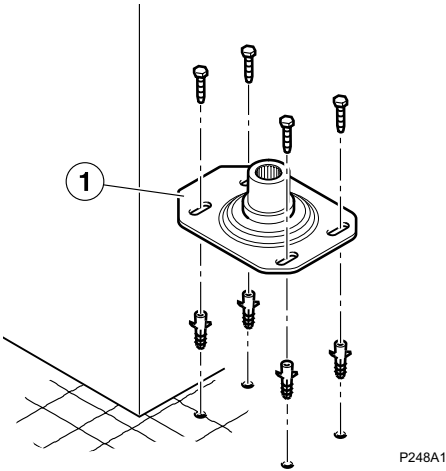
M248B1

▲ For safety:  $A > 25\text{mm}$  ( $B > 45\text{mm}$ )

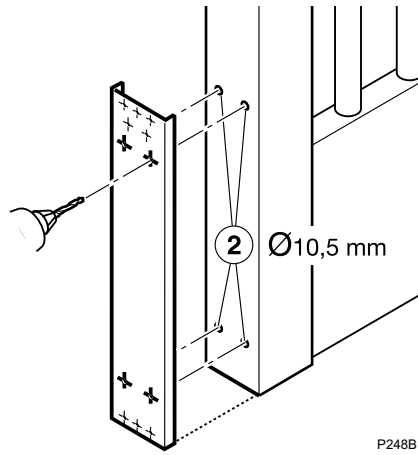


## Assembly

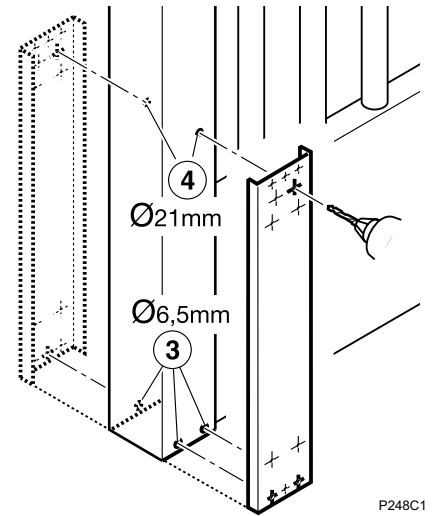
- 1** Position the base plate (1), respecting the height levels.



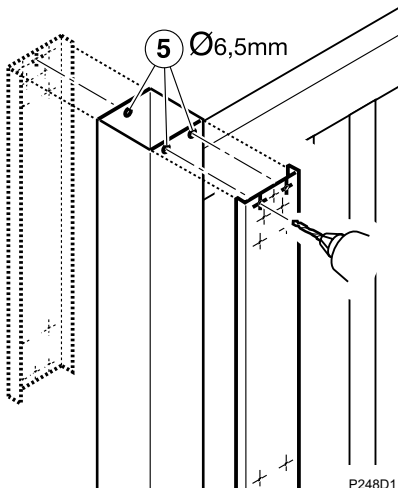
- 2** Using the template provided, make 4 boreholes (2) to secure the operator with a 10.5 mm drill bit.



- 3** Make the 6.5-mm holes (3).  
**4** Only operators with lock: drill the 21-mm holes (4).

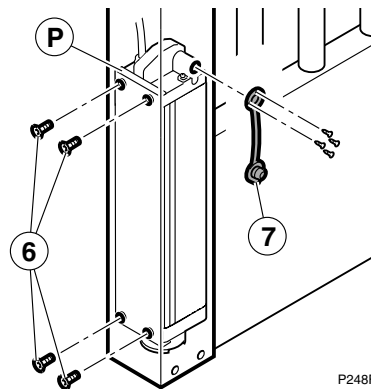


- 5** Make the three holes (5) to fix the upper cover. Use a 6.5 mm drill bit.

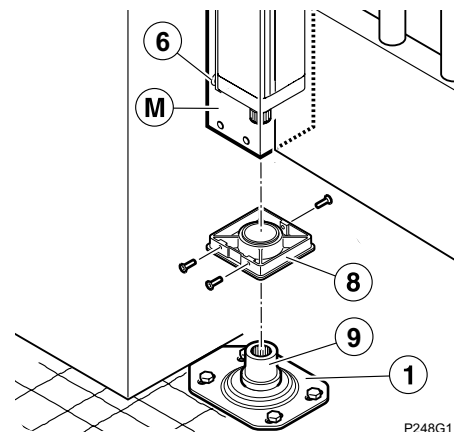


- 6** Insert the operator and fit its screws (6) without tightening them. **In iron frames, insert the P plate between the operator and the frame.**

- 7** Install the caps (7) to stop water coming in.

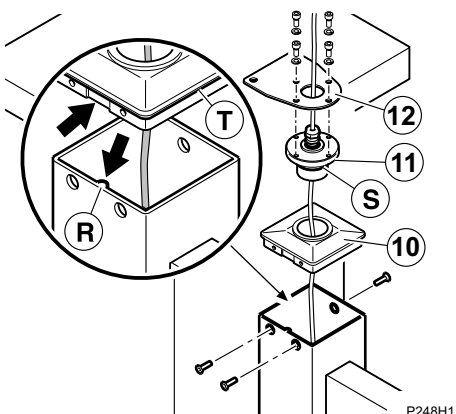


- 8** Mount the lower cover (8).  
**9** Tighten the screws (6). Position the assembly (M) on the base plate (1), ensuring the drag wheel is correctly coupled.



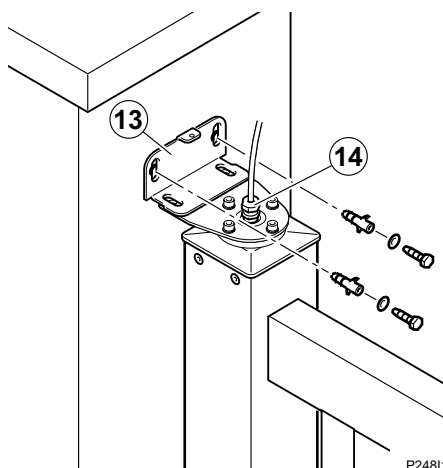
- 10** With the seal (T) in place, position the upper cover (10) so that its slot coincides with the protrusion on the frame (R).

- 11** With the seals (S) in place, position the top stud (11) and the plate support (12).



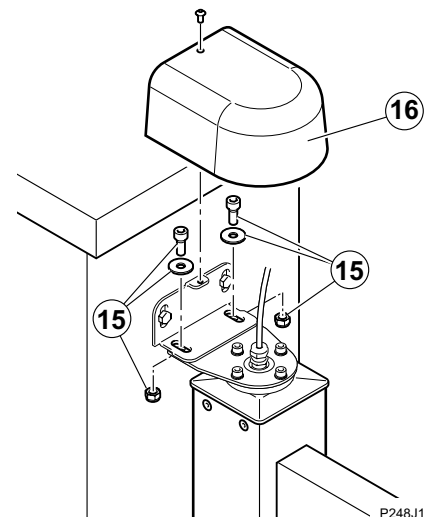
- 12** Position the angle piece (13), respecting the height levels.

- 13** Tighten the gland (14).

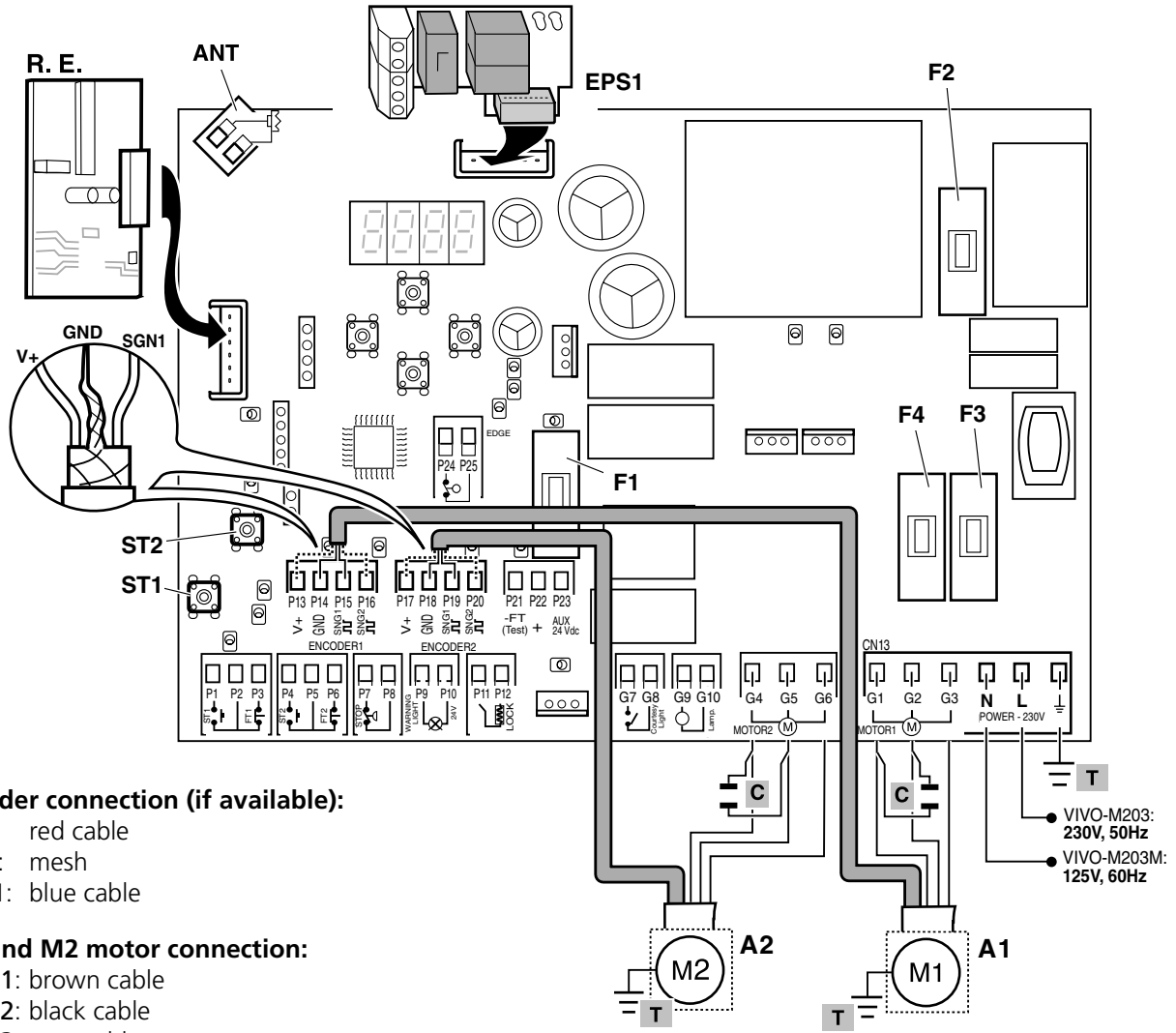


- 14** Place the attachment screws and washers (15).

- 15** Install the water guard (16).



## Electrical connections, control board VIVO-M203 or VIVO-M204



**Encoder connection (if available):**

- V+: red cable
- GND: mesh
- SGN1: blue cable

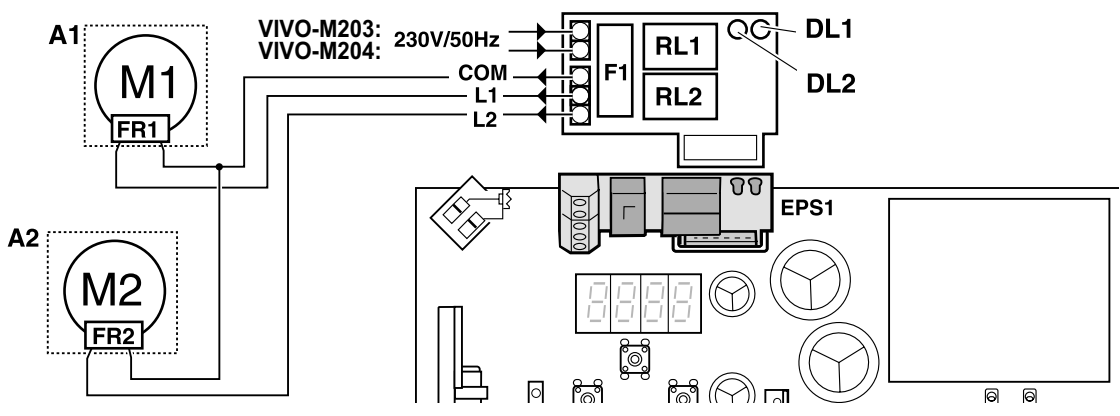
**M1 and M2 motor connection:**

- G4/G1: brown cable
- G5/G2: black cable
- G6/G3: grey cable
- C: capacitor; MA210/ MA210F /MAS210F: 5µF; MA250/ MA250F /MAS250F: 8µF

▲ Check the control board instructions to connect the other components and carry out programming.

P246Z

## Brake cabling by way of EPS1 (VIVO-M203 or VIVO-M204, parameter Rb0 I)



- COM: Orange cable (models with encoder)  
white cable (models without encoder)
- L1, L2: purple cable (models with encoder)  
red cable (models without encoder)

- DL1: Red LED, FR1 activation
- DL2: Green LED, FR2 activation

P249Y