



# TELESCOPIC 4

## OPERATOR FOR **AUTOMATIC SLIDING DOORS**

The **TELESCOPIC 4** is an optimal solution for small/narrow spaces, where a maximum opening is required. This versatile system allows the parallel movement of 2 leaves in the same direction. The **TELESCOPIC 4** operator is suitable for 2 leaves doors with a loading capacity up to 100kg per leaf, or 4 leaves doors with a loading capacity up to 70kg per leaf, and clear opening width up to 3800mm.

It is adaptable to all types of door frame profiles, up to a width of 65mm, and designed for a heavy traffic flow.

The **TELESCOPIC 4** is a modular slider, with a motorisation system of a length of 870mm, including aluminium support and cover, DUNKER gearmotor, control board, power supply

and emergency battery pack. Its versatility allows to fit single and double leaf doors of different passage widths.

The motorisation is preassembled and pretested, making it quick and easy to install by one person. Just fix the support profile, hang the leaves, adjust the drive unit, connect the sensors, electrolocks or other devices, and the system will be ready to use.

### The **TELESCOPIC 4** operator includes

- |                                   |                               |
|-----------------------------------|-------------------------------|
| <b>1</b> Support operator profile | <b>5</b> Tensor pulley        |
| <b>2</b> Dunker gearmotor         | <b>6</b> Endless toothed belt |
| <b>3</b> Control board            | <b>7</b> Internal carrier     |
| <b>4</b> Power supply and battery | <b>8</b> External carrier     |

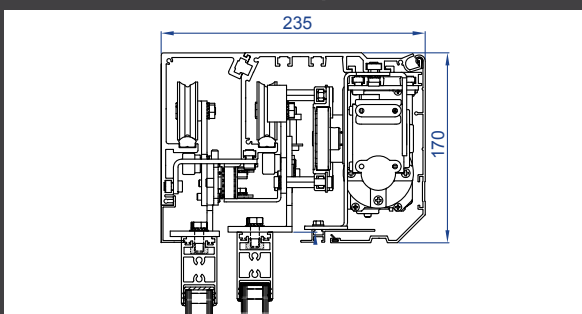
**Safety:** Designed in compliance with the safety standards EN16005

**Movement:** Silent and dynamic movement on opening and on closing

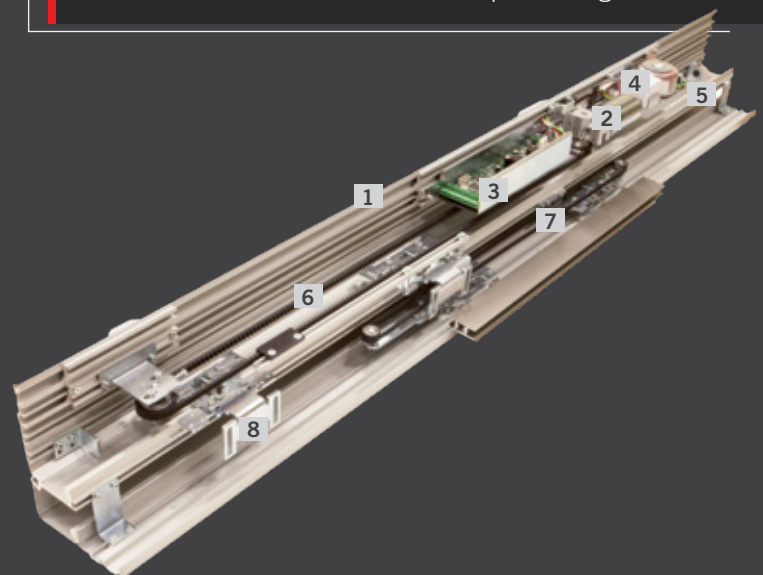
**Use:** Intensive

**Encoder:** Precise control of the door positioning

### TELESCOPIC 4 aluminium profile



Available lengths: 3050mm, 4100mm, 6100mm



## TELESCOPIC 4 ADVANTAGES

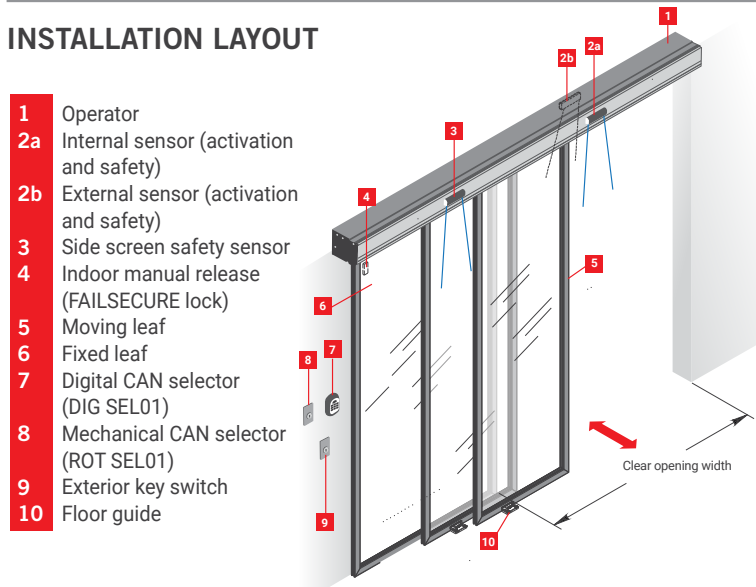
- **Motor:** Permanent magnet motor of 40Vdc.
- **Carriers:** Strong, adjustable and made up of two interchangeable 52mm POM wheels each carrier as well as anti-derailment wheels.
- **Belt:** Neoprene with a fiberglass core HTD 8m (8mm tooth pitch).
- **Controller:** Closed loop PID control which allows a very precise movement control. It monitors the motor intensity & temperature, the battery voltage & charge level, the electromagnetic lock position, and the safety sensors. Motor force control system with obstacle detection for users' safety. Same controller for all Erreka sliding door operators.
- **Battery:** Panic break-out system in case of a power supply failure.

## TECHNICAL FEATURES

	Single leaf door (2 moving leaves)	Bi-parting double leaf door (4 moving leaves)
Free passage width (Min-Max)	900 -3600mm	1800-3870mm
Max. leaf weight	100kg + 100kg	70kg+70kg +70kg+70kg
Max. Leaf width	1800mm	950mm
Min. Leaf width	500mm	500mm
Max. leaf height	2500mm**	
Opening speed (Min-Max)	0,2m/s - 0,8m/ sec	0,4m/s - 1,6m/ sec
Closing speed (Min-Max)	0,1m/s - 0,5m/ sec	0,2m/s - 1m/sec
Power supply	230V - 50/60Hz	
Motor power supply	40Vdc	
Operator max. consumption	200W	
Batteries:	24V Ni-Cd (800 mA)	
Relative humidity:	10% to 90% without condensation	
Operating temperature:	-20°C / +50°C	
Use:	Intensive	
IP - Protection class	IP20	

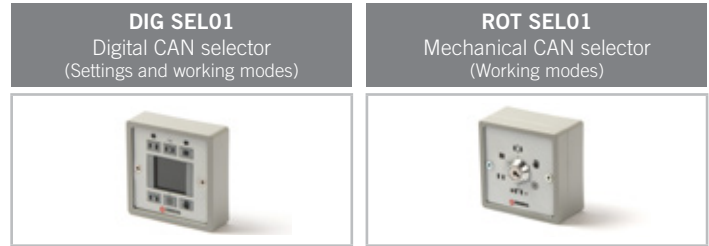
\*\*Note: Larger leaf heights might be available on request, based upon shopfront's dimensional study results.

## INSTALLATION LAYOUT

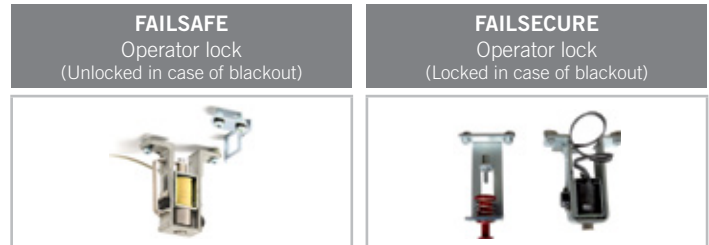


## ACCESSORIES

### PROGRAMMER SELECTOR



### ELECTROMAGNETIC LOCKS



### KEY SWITCHES



### SENSORS



## DOOR CONFIGURATIONS

