



SKY

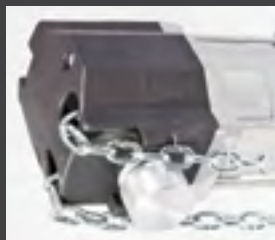
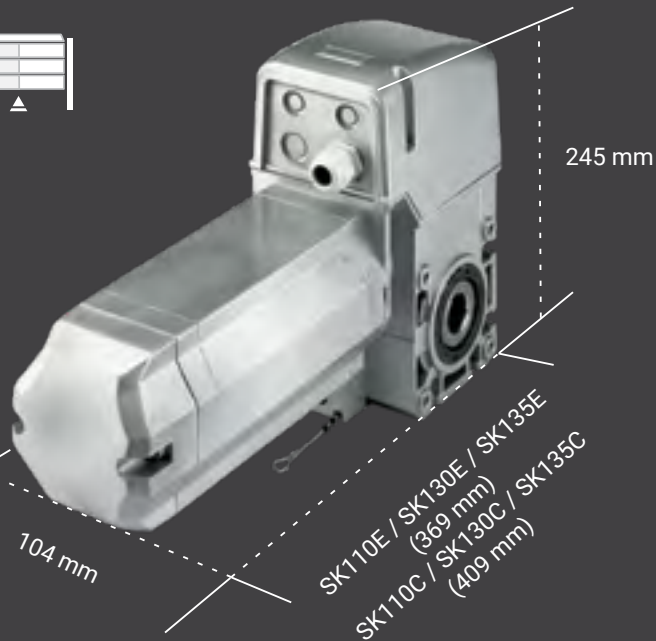
MOTOR FOR SECTIONAL DOORS

UP TO 50 m²

Direct shaft strike of Ø25,4mm
Electromechanical limit
switches

SKY

MOTOR FOR SECTIONAL DOORS
UP TO 50 m²



Chain or lever manual release system

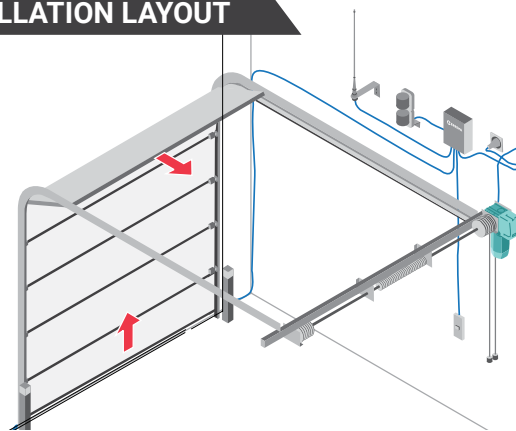
High usage factor in threephase motors
Gearbox oil bath protected

TECHNICAL DATA

	SK110C	SK110E	SK130C	SK130E	SK135C	SK135E
Power supply (Vac/Hz)	230/50		3x230/50 3x400/50			
Power consumed (W)	830		1400		1700	
Absorbed current (A)	3,6		2		2,4	
Capacitor (µF)	30				-	
Maximum torque (Nm)	70		110		140	
Output speed (rpm)	19					
Lock	Yes					
Limit switches	Yes					
Encoder	No					
Pinion	-					
Duty cycle	S3-25%		S3-60%			
Protection level	IP54					
Operating temperature (°C)	-20/60					
Motor weight (kg)	23				15	
Packing dimensions (cm)	49x29x25					
Maximum door surface (m ²)	20		35		50	



INSTALLATION LAYOUT



CONTROL PANEL

- AM600S
- VIVO-T101
- VIVO-I103
- VIVO-M101PT



ACCESSORIES

NZ20U



Z20

NZ30U



Z30

NZ40U



Z40

NSEJE



1" Shaft

NSADP



Shaft adapter
1" 1/4

NCST7



Chain (m)

PRODUCT RANGE

SK110E	230Vac motor, with handle manual release with cords and base plate, 70Nm
SK110C	230Vac motor, with one meter chain manual release and base plate, 70Nm
SK130E	380Vac threephase motor, with handle manual release with cords and base plate, 110Nm
SK130C	380Vac threephase motor, with one meter chain manual release and base plate, 110Nm
SK135E	380Vac threephase motor, with handle manual release with cords and base plate, 140Nm
SK135C	380Vac threephase motor, with one meter chain manual release and base plate, 140Nm