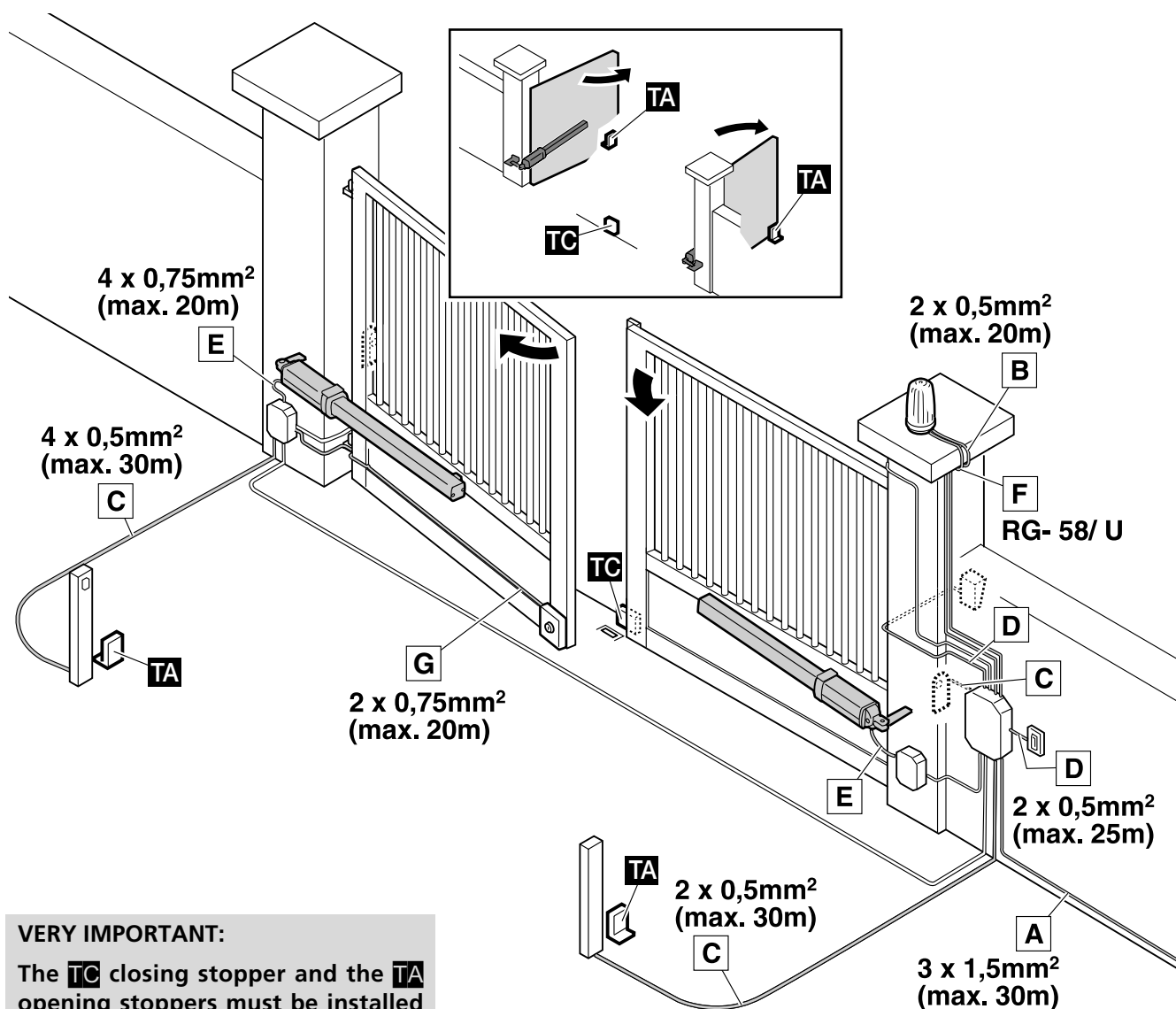


### WARNING

This quick guide is a summary of the complete installation manual. The manual contains safety warnings and other explanations which must be taken into account. The installation manual can be downloaded by going to the "Downloads" section of Erreka website:  
<http://www.erreka.com/Automatismos/descargaDocumentos.aspx>

### Elements of the complete installation



E237A

#### VERY IMPORTANT:

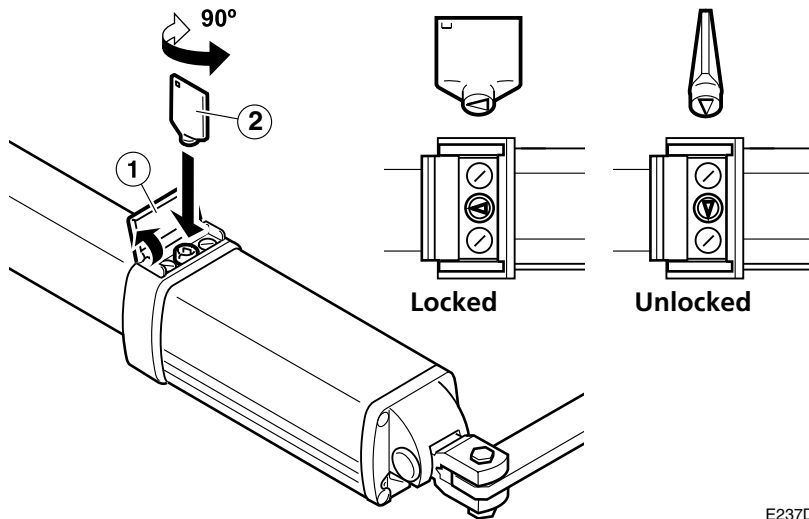
The **TC** closing stopper and the **TA** opening stoppers must be installed in all cases.

#### Electrical wiring

- A: Main power supply
- B: LUMI Flashing light
- C: Photocells (Rx/Tx)
- D: Pushbutton / key switch
- E: Operator
- F: LUMI Built-in antenna
- G: Electrolock

☞ The electrolock is compulsory for non-locking operators. For locking operators, the electrolock must be used for gate leaf lengths of over 1.8m.

## Unlocking



### Unlocking for manual operation:

- Open the cover (1).
- Turn the unlocking key (2) 90° until it is perpendicular to the operator spindle.

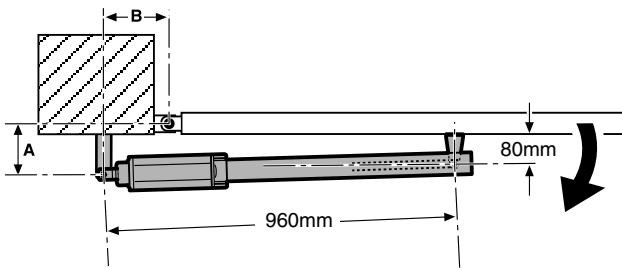
### Motorised operation locking:

- Turn the unlocking key (2) 90° until it is parallel to the operator spindle.
- Close the cover (1).

E237D

## Assembly levels

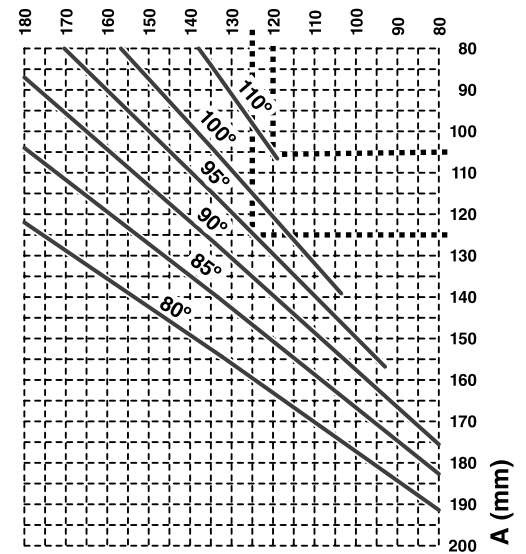
### Inward opening



M237C

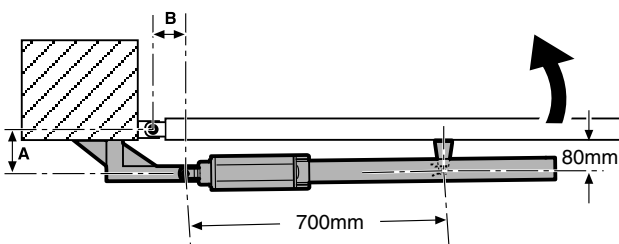
Opening angle	80°	85°	90°	90°	95°	100°	110°
Level A	155	140	140	115	125	120	105
Level B	130	130	120	145	125	120	120

B (mm)



M237F

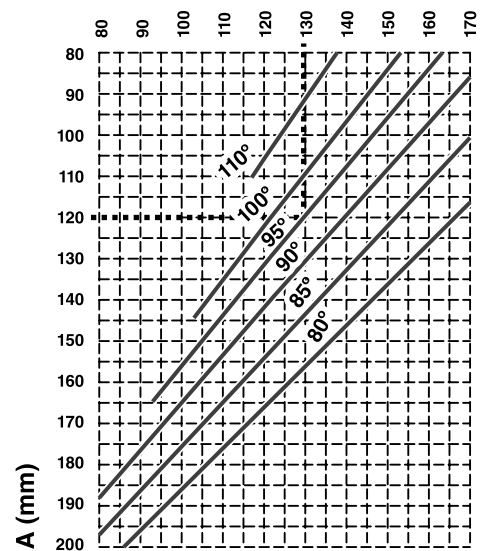
### Outward opening



M237D

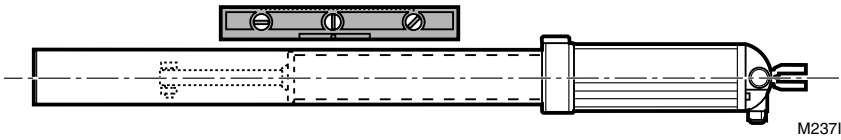
Opening angle	80°	85°	90°	90°	95°	100°	110°
Level A	150	150	100	130	120	100	95
Level B	135	125	155	130	130	135	125

B (mm)



M237H

## Levelling



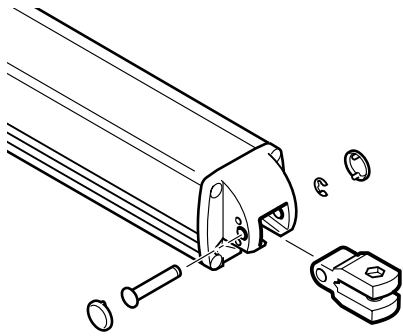
M237I

**The operator must work horizontally:** to do this, the supports must be positioned at the same height.

Check horizontality with a spirit level.

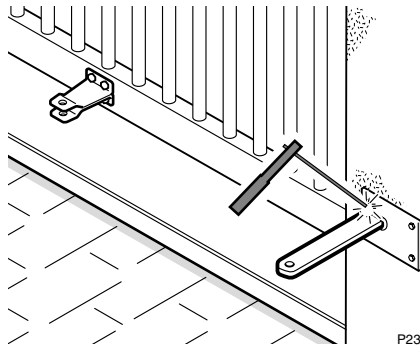
## Assembly

- 1** Mount the fork in the operator. Use the supplied horizontal pin as the axis.



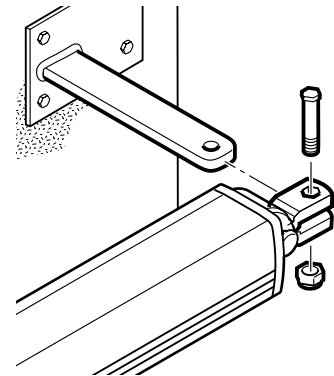
P237K

- 2** Mount the supports. Carry out the welding with the operator withdrawn to a distance, in order to prevent the spindle from being damaged by splashing.



P237A

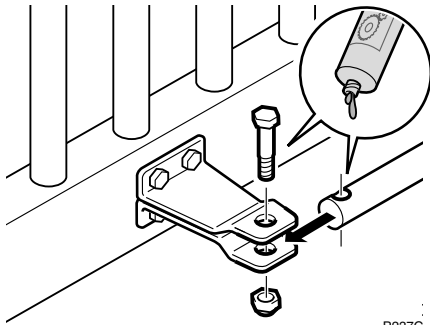
- 3** Mount the operator on the rear support. Use the supplied narrow-head pin as the axis.



P237D

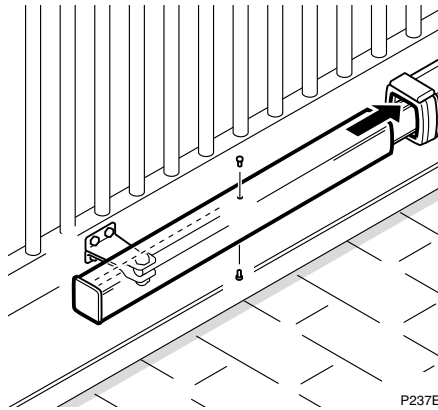
- 4** Mount the operator on the front support, using the supplied screw as the axis.

Before doing this, apply grease to the spindle and the orifices.



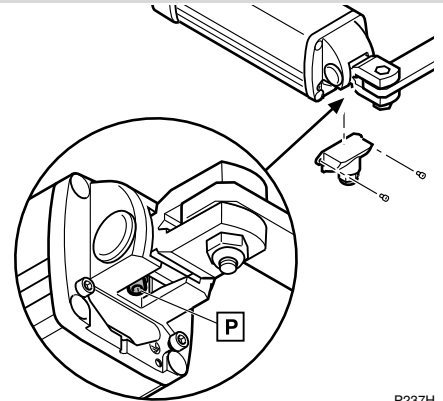
P237C

- 5** Mount the cover and top. Secure using the screws supplied.



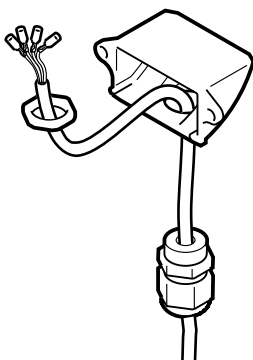
P237E

- 6** Loosen the discharge screw (P). If the operator has to be dismantled, retighten the screw in order to prevent the oil from leaking out.



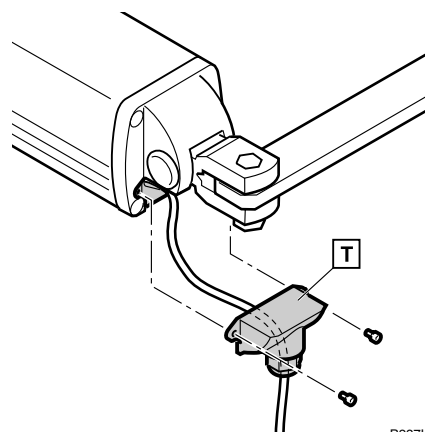
P237H

- 7** Mount the gland and introduce the cables. 4 cables are required.



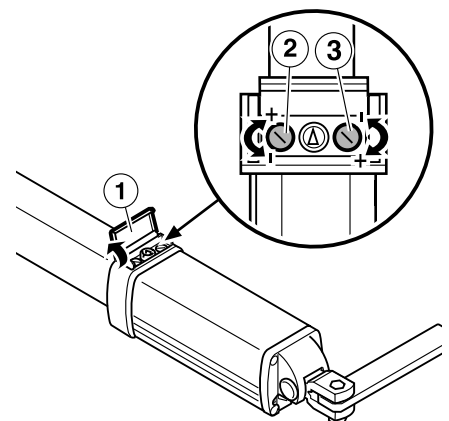
P237F

- 8** Complete the electrical connections as shown in the section below. Then position the cover (T) and tighten the gland.



P237U

- 9** Adjust the opening and closing pressure, as described on the next page. Lift the cover (1), adjust the screws (1) and (2), and, finally, close the cover (1).

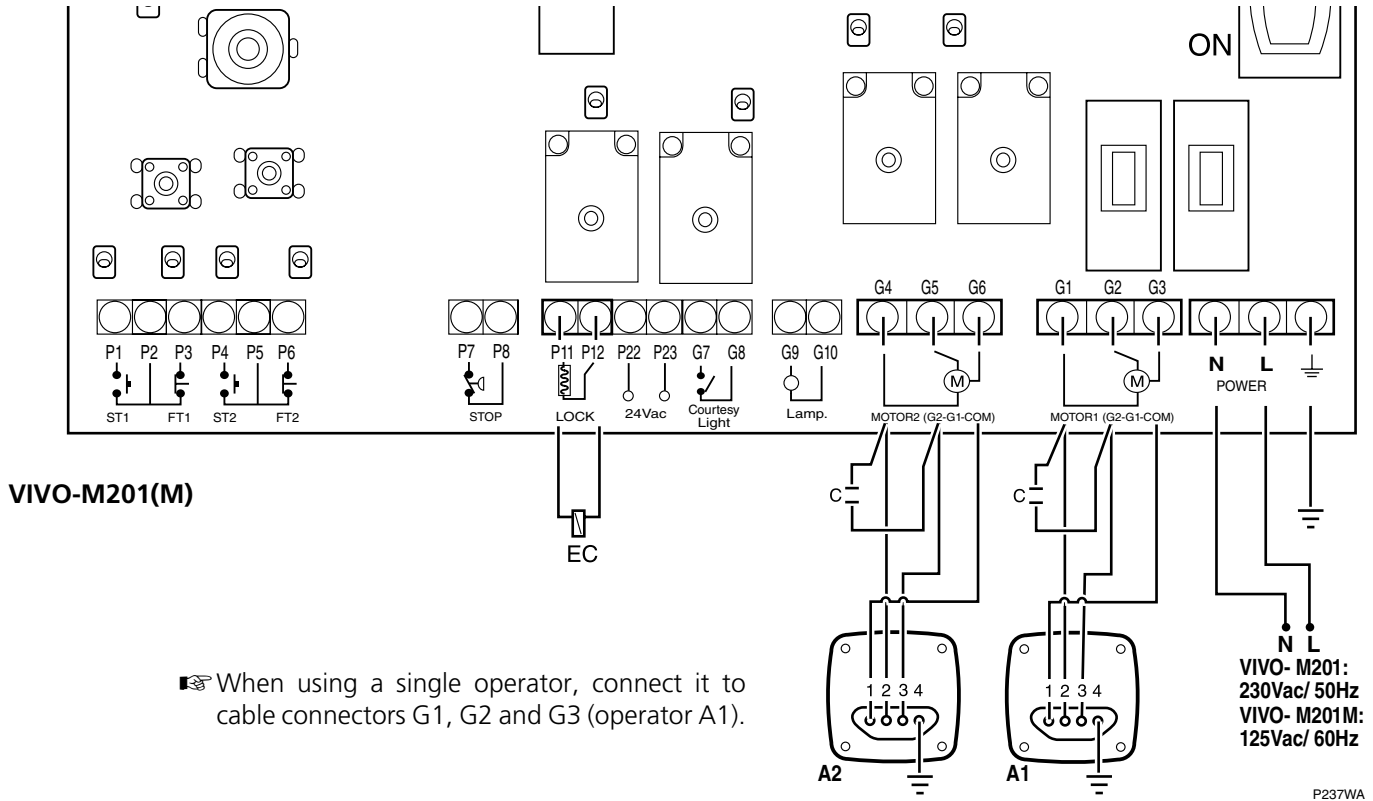


P237V

## Electrical connections

✎ The VIVO-M101(M) or VIVO-M201(M) control board can be used for the VULCAN D operator.

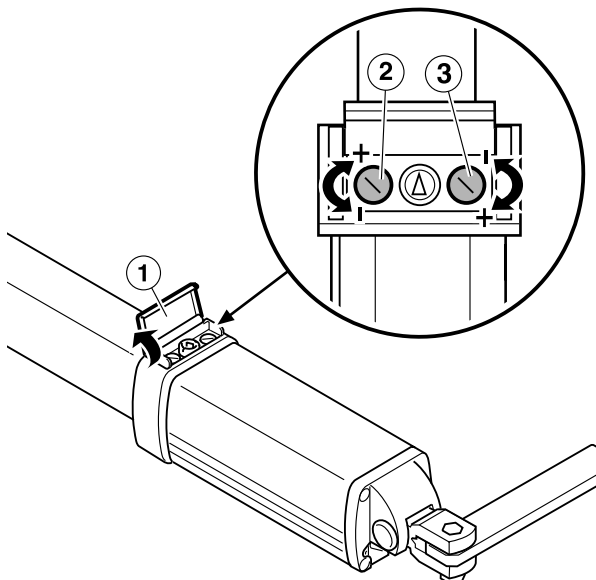
⚠ **Since this is a stationary unit for permanent connection, an external cut-off must be installed.**



## Adjusting the opening and closing pressures

⚠ **The opening and closing pressures must be adjusted in line with the size and weight of the gate.**

ⓘ **Do not tighten the regulation screws (2) and (3) to the maximum, as this will result in damage.**



✎ Clockwork turning increases the pressure for both screws. Anti-clockwork turning reduces the pressure.

✎ The adjustment screws can be accessed by opening the cover (1).

**Pressure during the retraction of the spindle, screw (2):**  
In inward opening facilities, it corresponds to the opening operation. In outward opening facilities, it corresponds to the closing operation.

**Pressure during the extension of the spindle, screw (3):**  
In inward opening facilities, it corresponds to the closing operation. In outward opening facilities, it corresponds to the opening operation.

✎ After adjusting the pressures, close the cover (1).

P237I