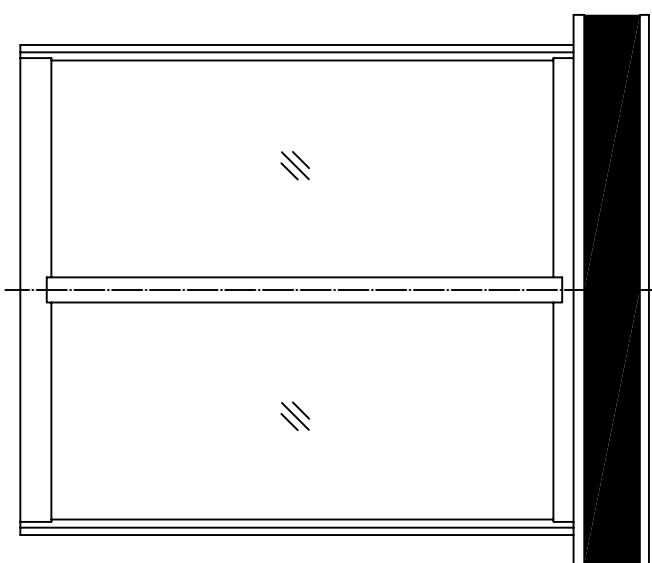


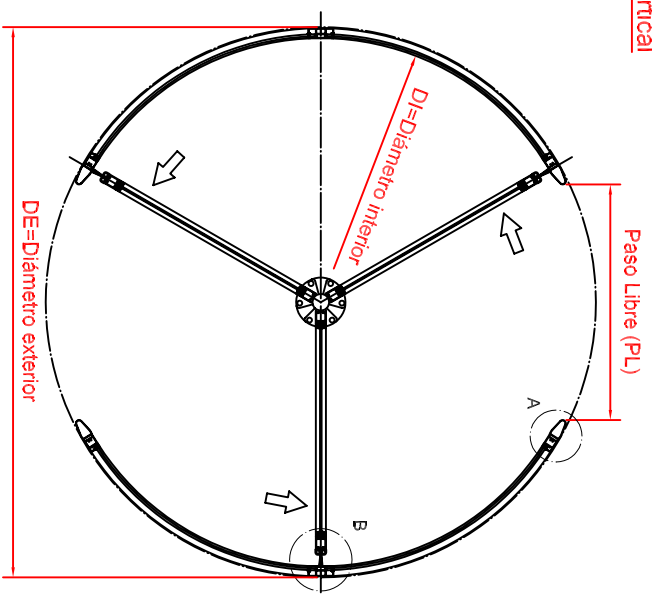
Altura de Paso (H)

300

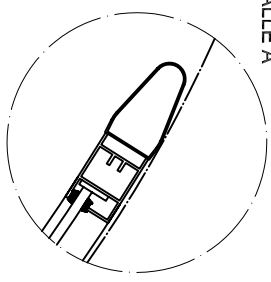
Altura Total (HT)=H+300



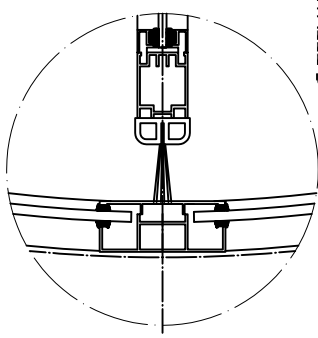
Sección Vertical
Escala: 1/30



DETALLE A



DETALLE B



| Modelo | E23-3-18 | E23-3-21 | E23-3-24 | E23-3-27 | E23-3-30 | E23-3-32 | E23-3-36 |
|------------------------|----------|----------|----------|----------|----------|----------|----------|
| Diámetro interior (DI) | 1800 mm | 2100 mm | 2400 mm | 2700 mm | 3000 mm | 3200 mm | 3600 mm |
| Diámetro exterior (DE) | 1880 mm | 2180 mm | 2480 mm | 2780 mm | 3080 mm | 3280 mm | 3680 mm |
| Paso Libre (PL) | 805 mm | 955 mm | 1105 mm | 1205 mm | 1405 mm | 1510 mm | 1705 mm |
| Altura de Paso (H) | 2200 mm | 2200 mm | 2200 mm | 2200 mm | 2200 mm | 2200 mm | 2200 mm |
| Altura Total (HT) | 2500 mm | 2500 mm | 2500 mm | 2500 mm | 2500 mm | 2500 mm | 2500 mm |
| Person/mín | 12 | 24 | 24 | 24 | 30 | 30 | 30 |



DENOMINACION

PUERTA GIRATORIA modelo BIRA E23 - 3 HOJAS

A4