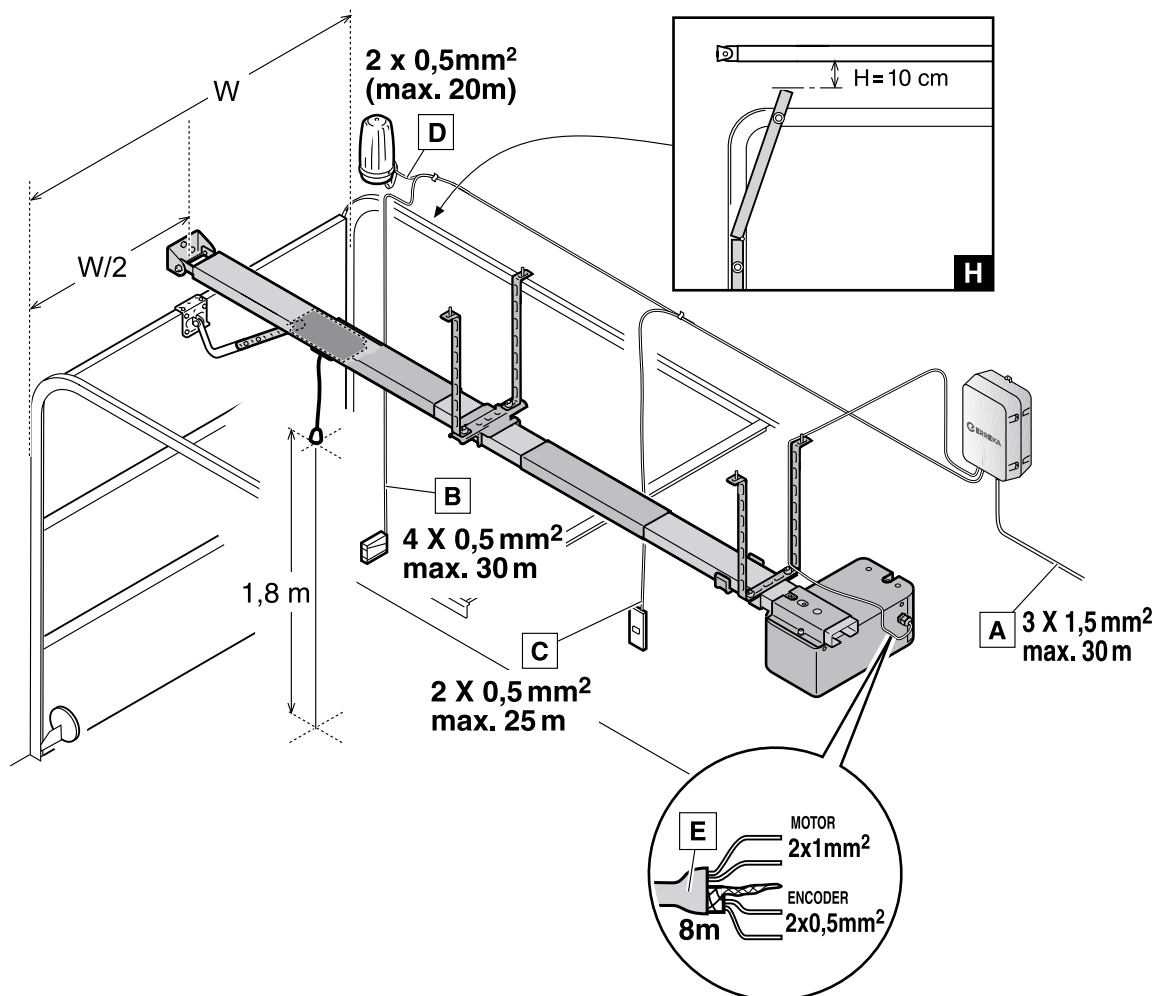


WARNING

This quick guide is a summary of the complete installation manual. The manual contains safety warnings and other explanations which must be taken into account. The installation manual can be downloaded by going to the "Downloads" section of Erreka website: <http://www.erreka-automation.com>

Elements of the complete installation



I277B

Electrical wiring

- A: Main power supply
- B: Closing photocells
- C: Pushbutton / wall key
- D: LUMI flashing light
- E: Operator (motor / encoder)

Assembly levels

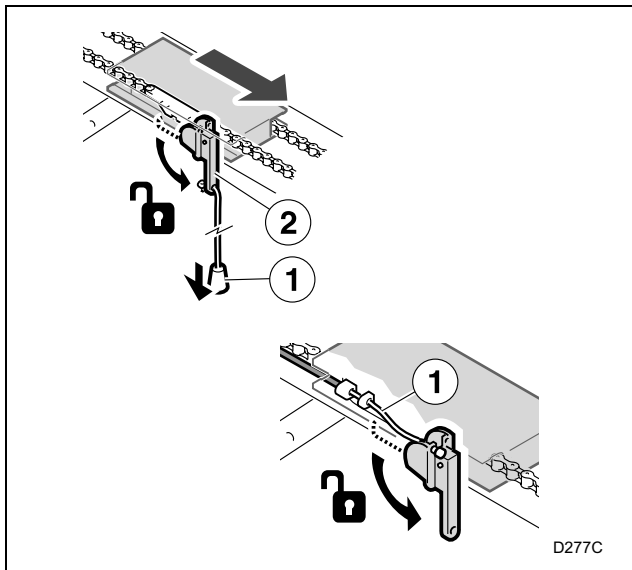
Level H: the track should remain 10 cm above the highest point of the door (see detail **H**).

Total length (operator + guide) / working stroke:

- track ref. AMX01: 3,380mm / 2,788mm
- track ref. AMX02: 4,480mm / 3,888mm

Unlocking and locking

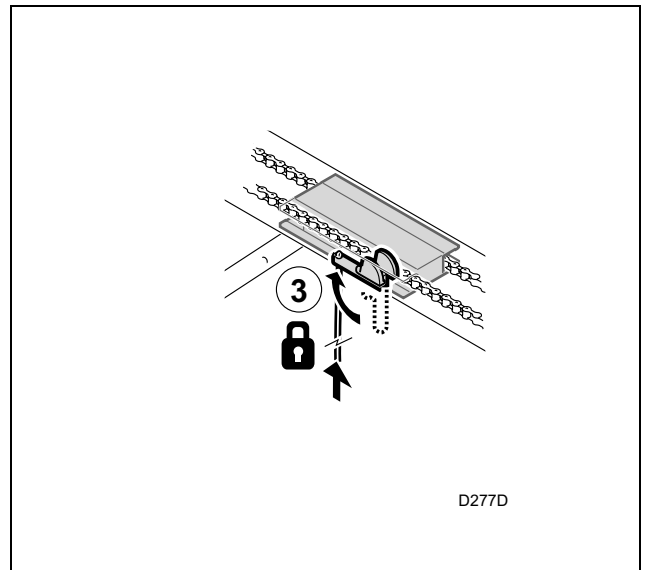
Unlocking



Unlocking for manual operation

Pull the knob or cable (1) until the release lever (2) is vertical.

Locking

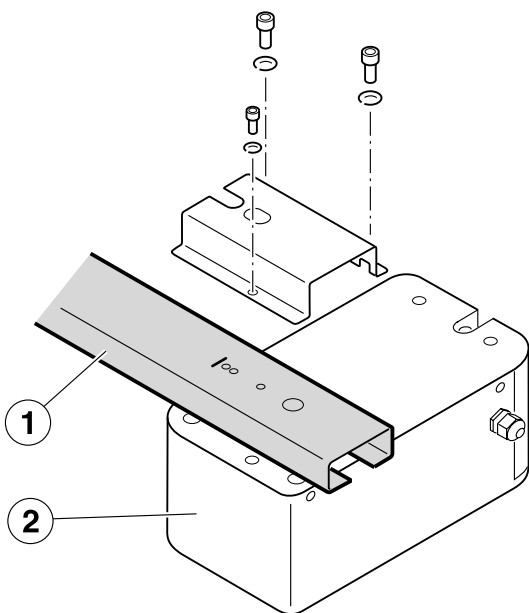


Motorised operation locking

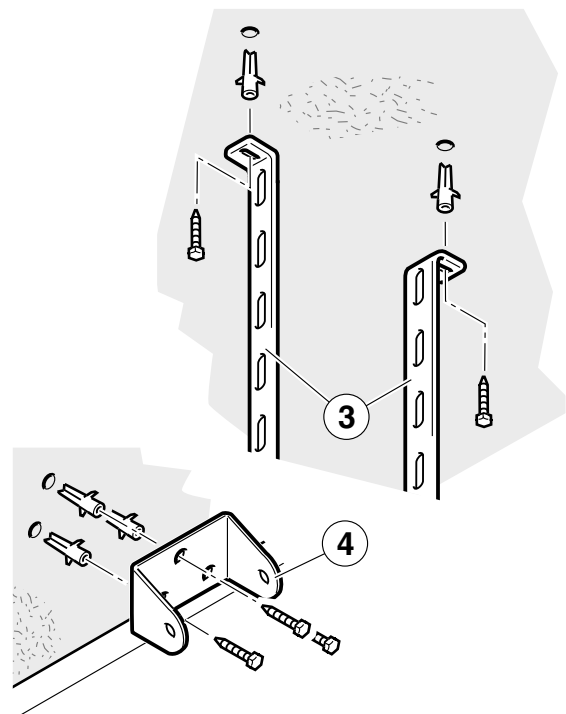
Place the lever in horizontal position (3). Locking will take place when the operator starts up.

Assembly

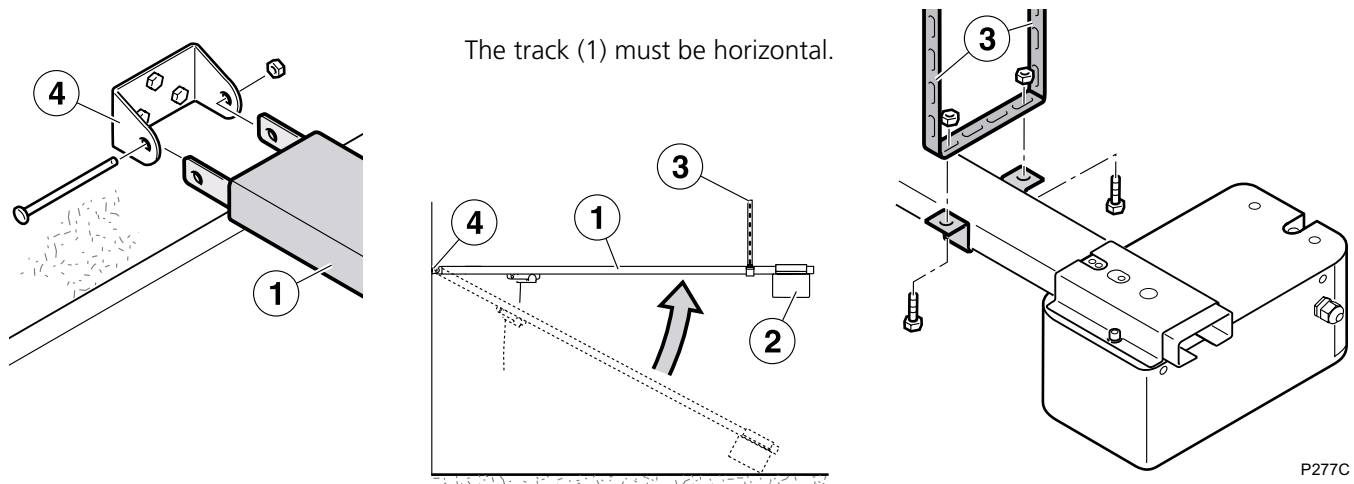
- 1 Secure the track (1) in the operator (2).



- 2 Position the overhead strips (3) and front support (4). Bear in mind assembly level H (see "assembly levels" on the previous page).

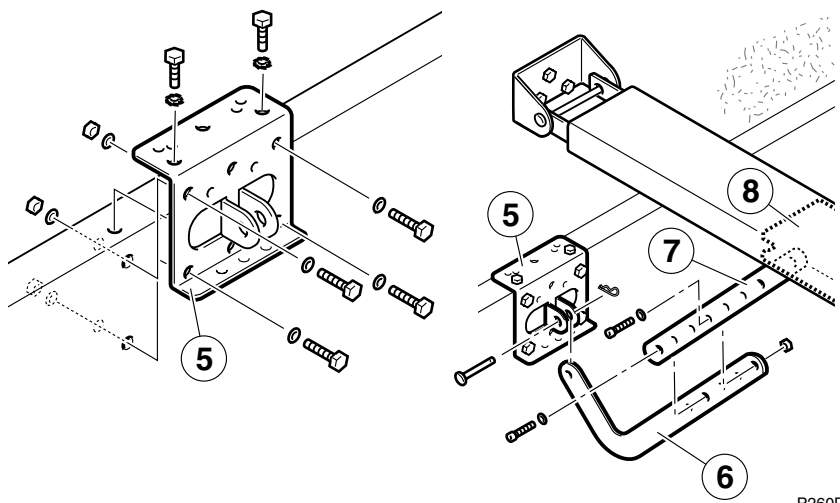


3 Mount the track (1) + operator (2) on the supports (3) and (4).



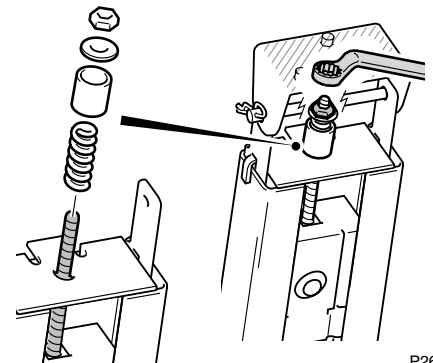
P277C

4 Position the anchoring (5) in the upper part of the door using the arms (6) and (7), and couple it to the carriage (8).



P260D

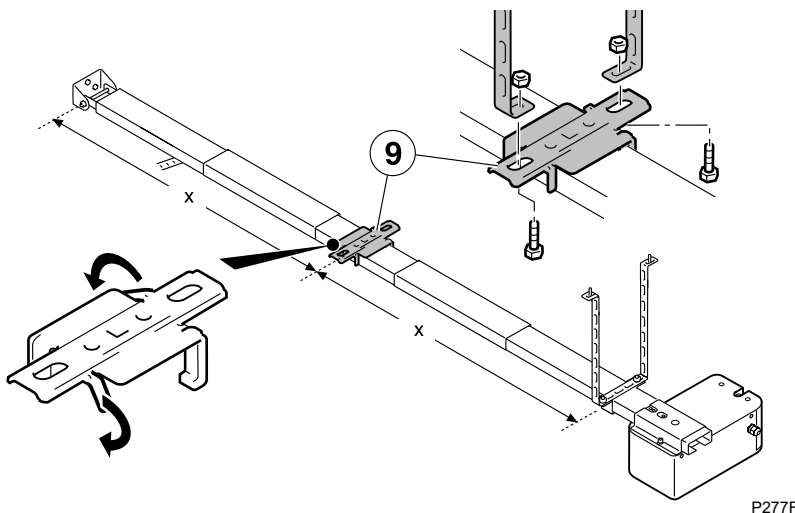
5 Tighten the nut as far as possible, and then loosen it slightly until the sleeve can be turned by hand.



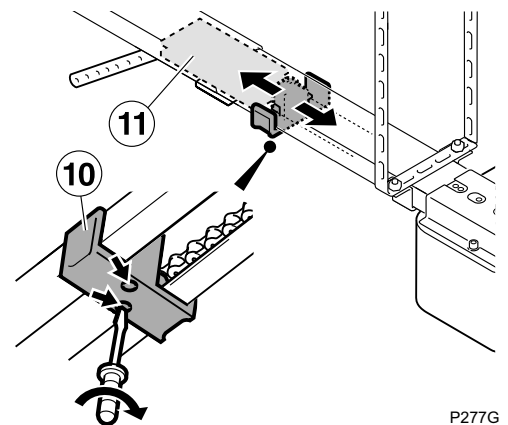
P260E

6 Install the central mount (9).

7 Open the door and install the opening stopper (10) until it comes up against the carriage (11). Use two self-drilling, self-tapping screws.

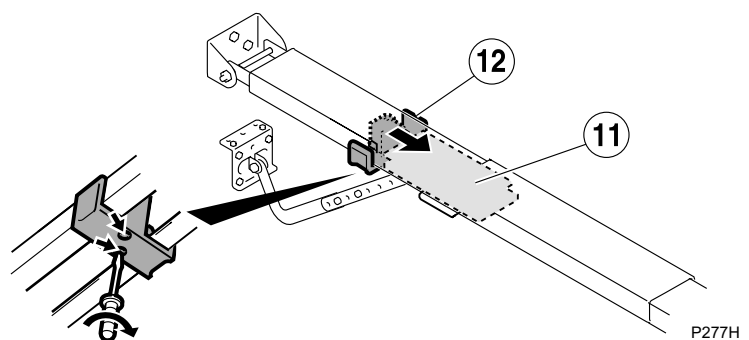


P277F



P277G

8 Close the door and install the closing stopper (12) until it comes up against the carriage (11). Use two self-drilling, self-tapping screws.

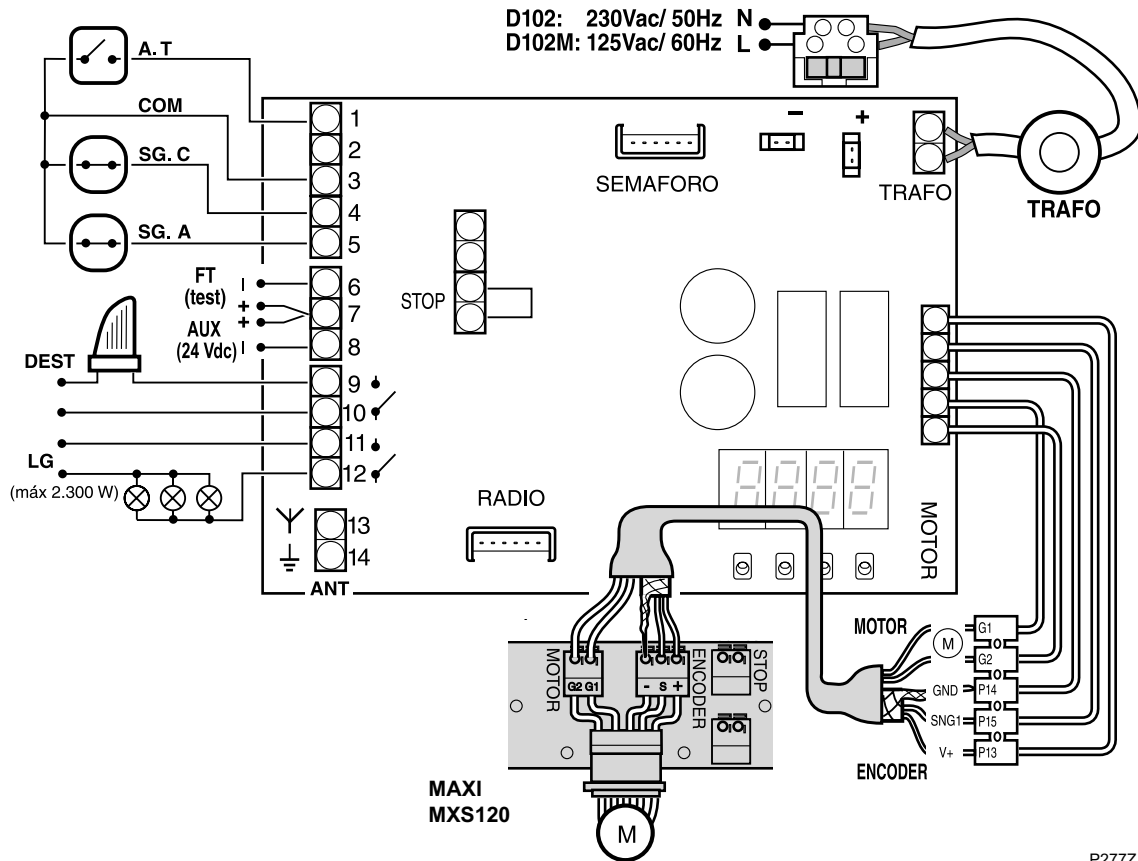


P277H

Electrical connections (panel VIVO-D102)

⚠ Disconnect the power supply before connecting or disconnecting any component.

🔌 The A.T., S and STOP devices must be voltage-free in order to prevent any damage to the control board.



P277Z

A.T. Wall key or pushbutton
 SG.C Closing safety device
 (closing photocell:)
 SG.A Opening safety device
 (opening photocell:)
 FT Connection for photocells with testing
 AUX Power supply for peripherals (24 Vdc)
 STOP Not used, perform bridging
 DEST Flashing light (LUMI)
 LG Garage lights

G1 Blue (motor)
 G2 Red (motor)
 P14 (GND) Mesh (encoder mesh) (-)
 P15 (SNG1) Green (encoder signal) (S)
 P13 (V+) Brown (encoder power supply) (+)