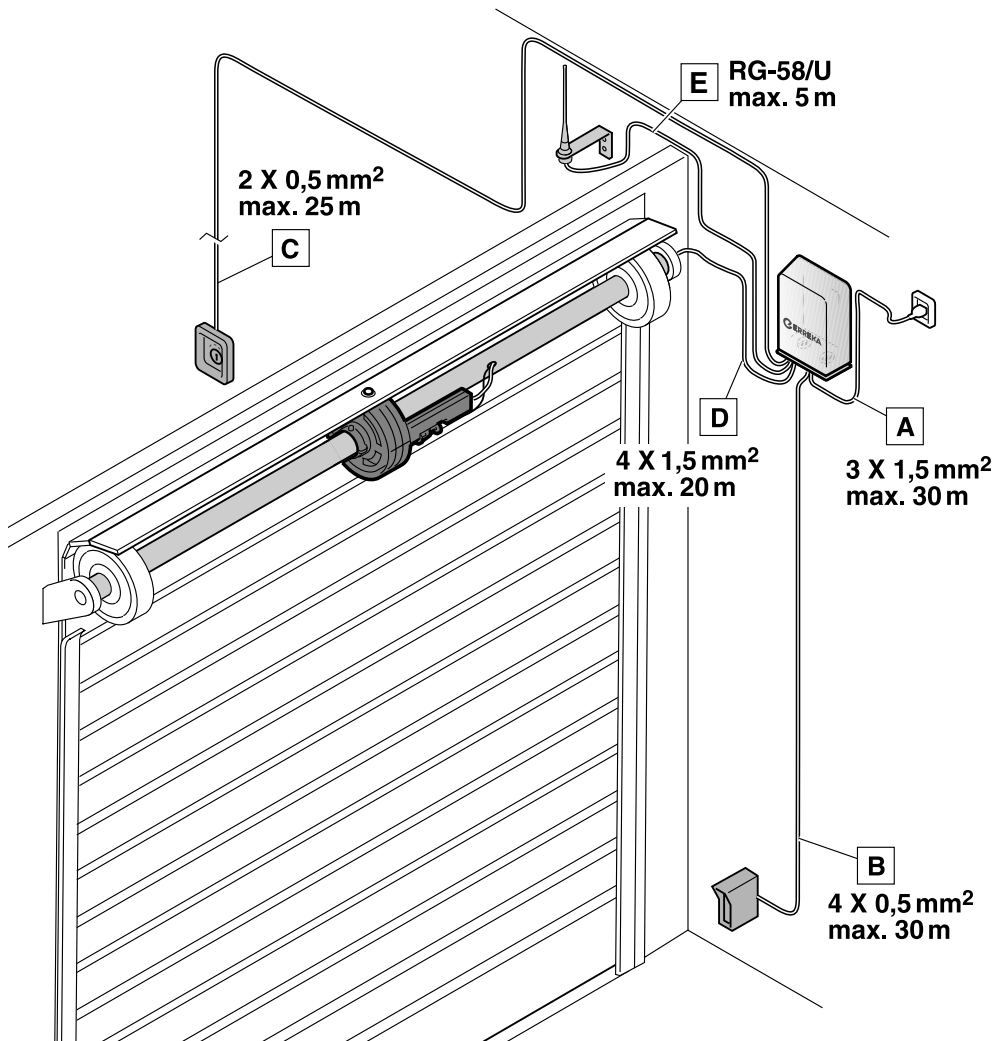


WARNING

This quick guide is a summary of the complete installation manual. The manual contains safety warnings and other explanations which must be taken into account. The installation manual can be downloaded by going to the "Downloads" section of Erreka website: <http://www.erreka-automation.com>

Elements of the complete installation

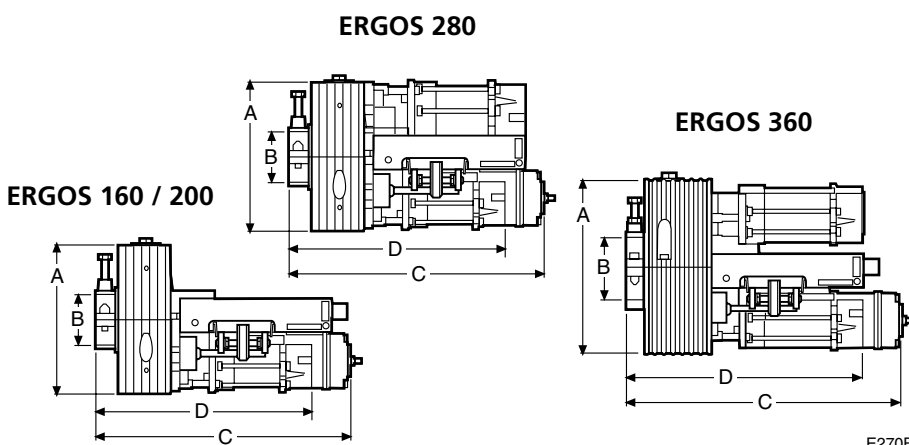


Electrical wiring

- A: Main power supply
- B: Photocells (mirror)
- C: Pushbutton or key switch
- D: Operator
- E: Antenna

E270A

Levels



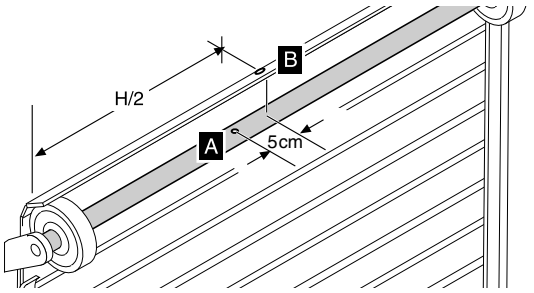
	ERGOS			
	160	200	280	360
A	200	200	200	240
B	60	60	60	76
C	385	400	380	380
D	335	350	330	330

NOTE: dimensions in mm

E270B

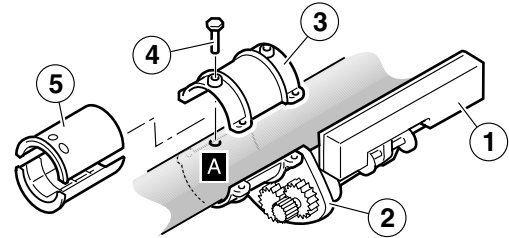
Assembly

- 1** Make the orifice (A), 10.5 mm in diameter, 5 cm from the centre of the shutter. Remember that the cover (1) of the limit switches must be be accessible for connections and subsequent adjustments.



P270A

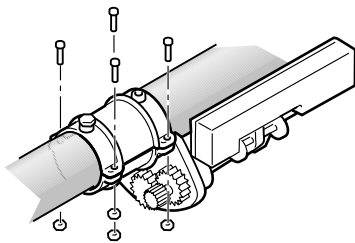
- 2** Place the two halves (2) and (3) of the operator on the shaft, ensuring that the screw (4) is inserted in the orifice (A).



P270B

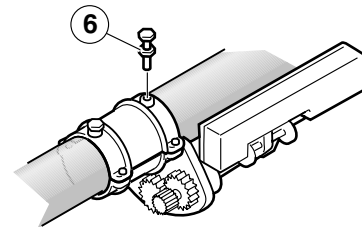
- ☞ If the diameter of the shutter shaft is less than 60 mm, position the adapter bushing (5).

- 3** Fasten the two halves of the operator using the corresponding M8 screws. Use a 6 mm Allen key.



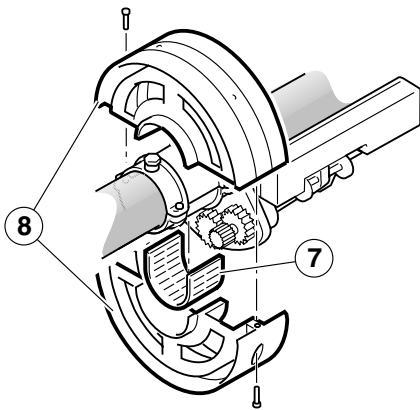
P270C

- 4** Adjust the operator to the shaft, locking it using the screw with nut (6).



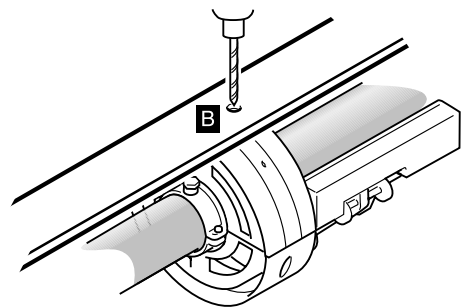
P270D

- 5** Position the roller bands (7) and the two semi-crowns (8) and secure them using the corresponding M8 screws.



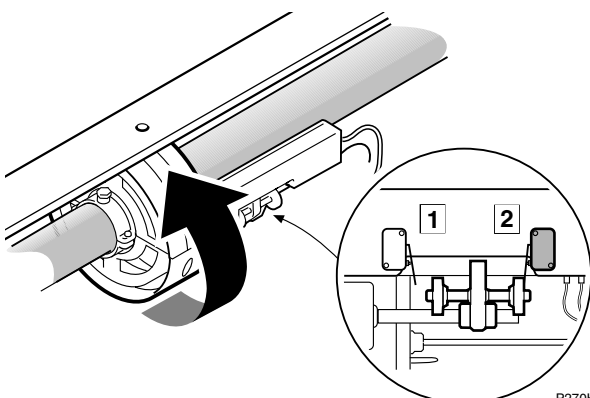
P270F

- 6** Position the final shutter slat and make the fastening orifice (B), 10.5 mm in diameter.



P270G

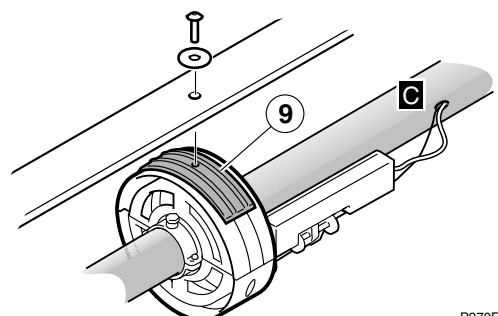
- 7** Move the cam by hand, bringing it up to the limit switch [2] (down). If the operator has been installed in opposite direction, the "down" limit switch is [1].



P270H

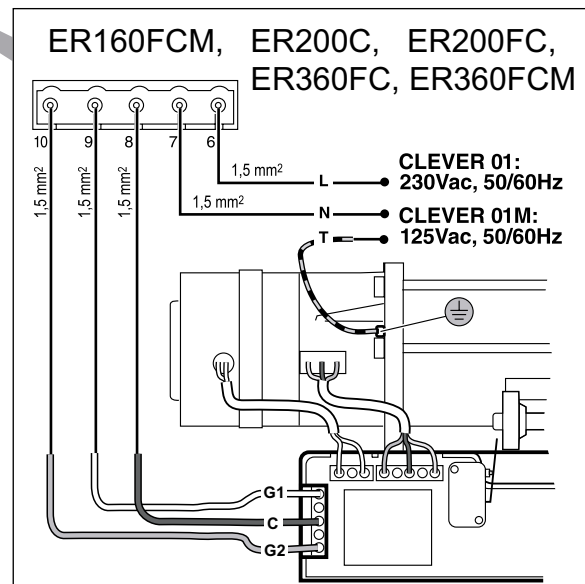
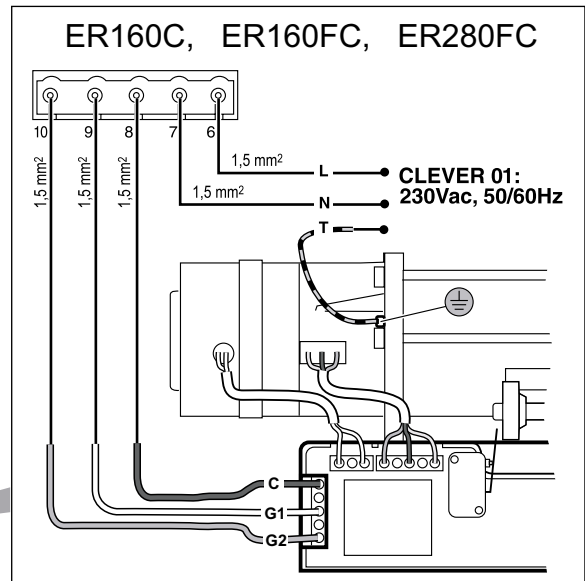
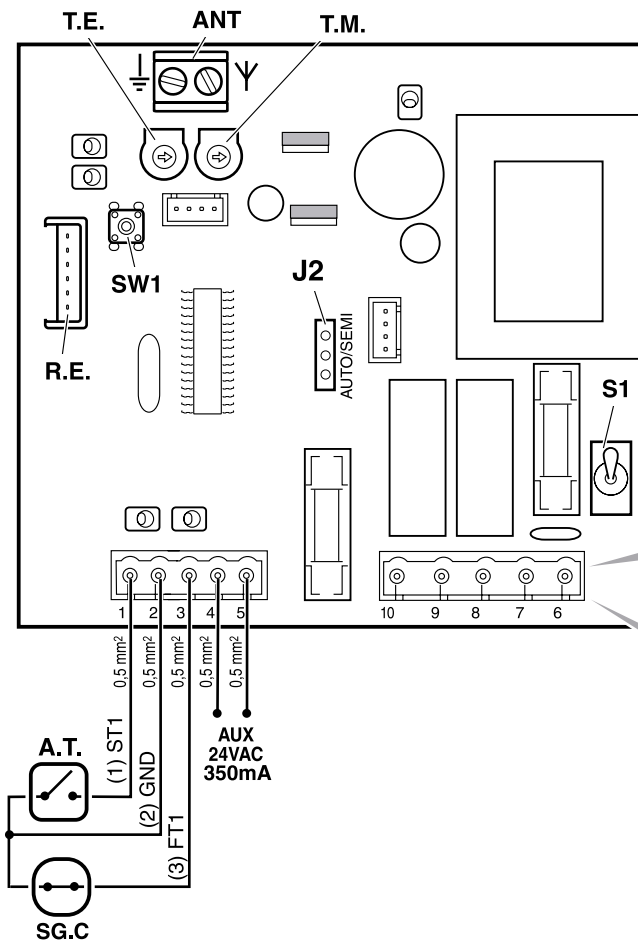
- 8** Fasten the slat on the crown using the screw and corresponding washer. Use the diameter adapter (9) if necessary.

- 9** Make an orifice (C) in the shutter shaft in order to introduce the electrical cable, ensuring it does not come into contact with the moving parts.



P270E

Electrical connections with CLEVER01 control board



Turning direction check: After completing the connections, connect the power supply and press A.T. (ST1). The first operation carried out after connecting the power supply is opening. If closing is to be carried out instead of opening, interchange the cables connected to cable connectors 9 and 10.

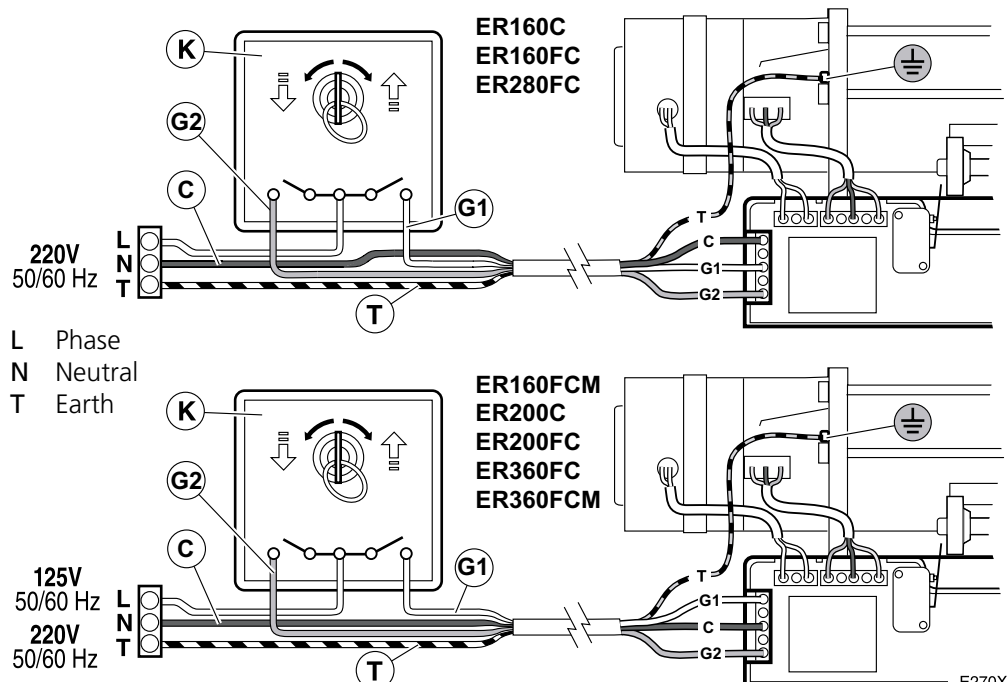
▲ Check the control panel instructions for further details on installation.

P270Z

Electrical connections without control board

1 Connect the operator to the mains as shown in the figure: the C terminal connects to Neutral and the G1 and G2 terminals connect to Phase through the key switch (K). Also connect the earth cable (T).

2 After connecting, check rotation direction by operating the key switch. If the turning direction is not correct, interchange the cables G1 and G2.



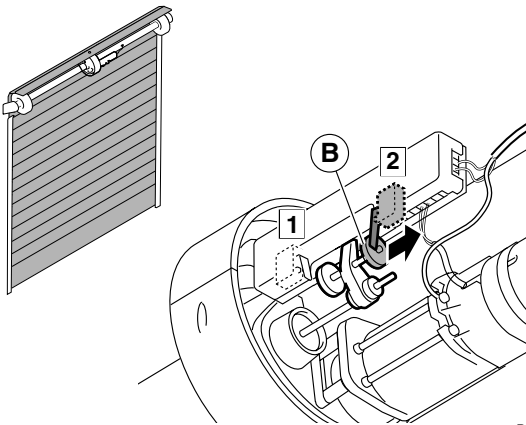
E270X

Limit switch adjustment

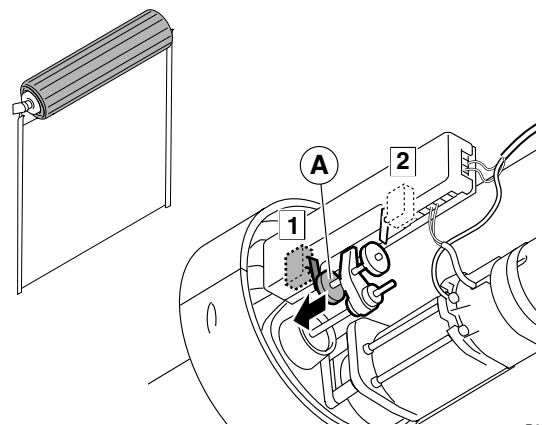
- ☞ The limit switches are adjusted after assembling and completing the electrical connections.
- ☞ The limit switch adjustment process is described below, taking into account that the operator has been installed in the same direction as described above. If it has been installed in the opposite direction, the procedure is the same but taking into account that the limit switch [2] is for opening and [1] for closing.

1 With the door in closed position, slide the adjustment knob (B) until the closing limit switch [2] runs.

2 Using the electrical controls installed previously, open the door to its opening position. In this position, slide the adjustment knob (A) until the opening limit switch [1] runs.



P270I

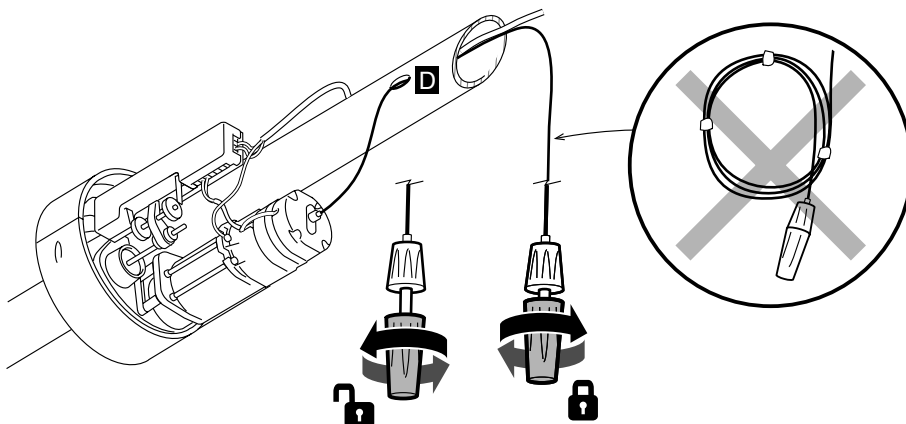


P270J

Unlocking

1 If your operator is fitted with an unlocking mechanism, make an orifice (D) in the shutter shaft in order to pass through the unlocking cable.

2 Install the unlocking knob in an accessible place, ensuring the cable is taut.



P270K

Unlocking for manual operation:

- Release the knob until the shutter can be moved manually.

Motorised operation locking:

- Turn the knob until the operator becomes locked.