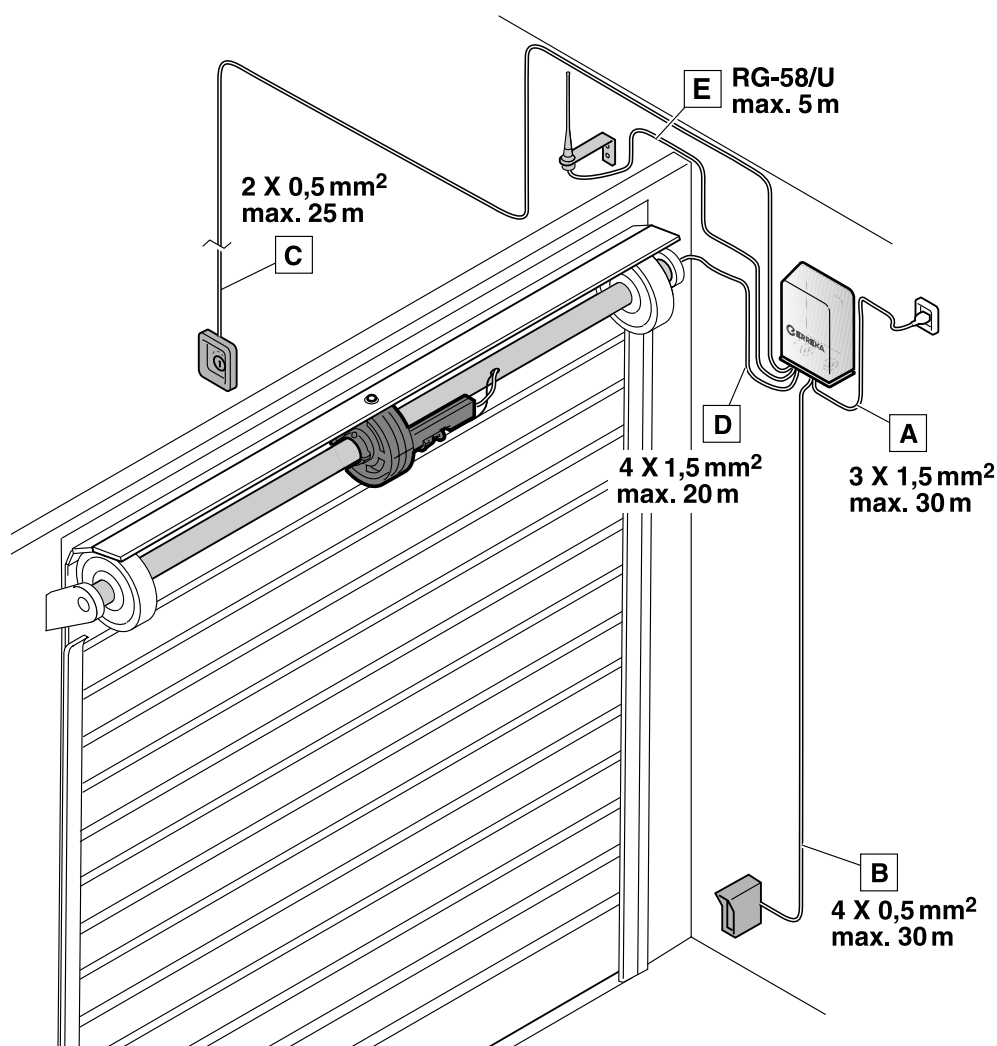


WARNING

This quick guide is a summary of the complete installation manual. The manual contains safety warnings and other explanations which must be taken into account. The installation manual can be downloaded by going to the "Downloads" section of Erreka website: <http://www.erreka-automatismos.com>

Elements of the complete installation

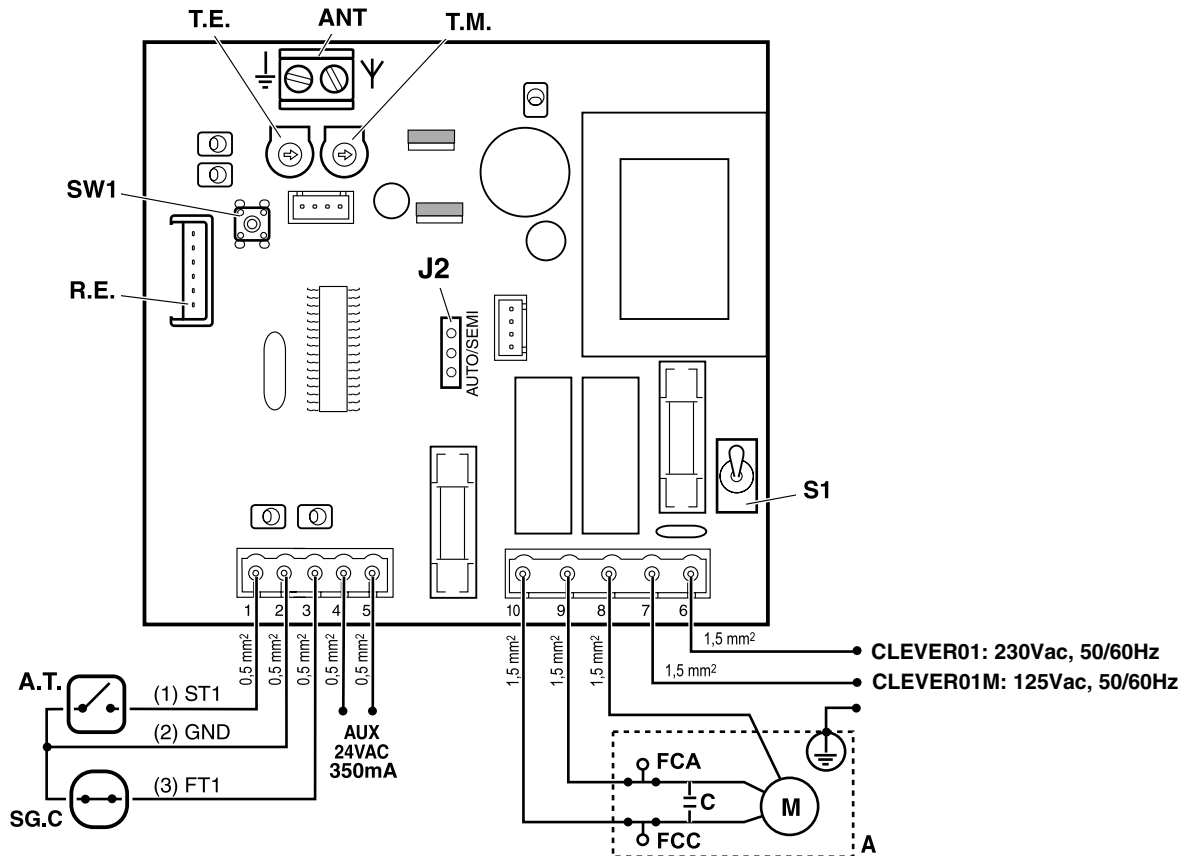


Electrical wiring

- A: Main power supply
- B: Photocells (mirror)
- C: Pushbutton or key switch
- D: Operator (motor + limit switches)
- E: Antenna

General connections

- ▲ Complete the installation in line with low voltage regulations and applicable rules.
- ▲ Use cables with sufficient section, always earthed.
- ▲ Check the manufacturer's instructions for all the elements installed.
- ▲ Make the connections with the power supply disconnected.



ANT Cable connectors for antenna
 R.E. Connector for plug-in receiver
 A.T. (ST1) Opening and closing key device
 SG.C (FT1) Closing safety device (photocell or mechanical strip)
 AUX Output (24Vac, 350mA). Constant output in order to feed peripheral devices
 A Operator
 C Operator capacitor
 M Operator motor
 FCA Operator opening limit switch
 FCC Operator closing limit switch

S1 Main switch
 SW1 Radio code programming mini-pushbutton RSD receiver (see "Radio code programming" on page 11)
 T.E. Standby time regulation (only functional in automatic mode)
 Minimum value: 5 seconds,
 Maximum value: 140 seconds
 T.M. Operation time regulation
 Minimum value: 1 second,
 Maximum value: 70 seconds
 J2 Automatic/step-by-step closing mode switch (see "Radio code programming" on page 11)

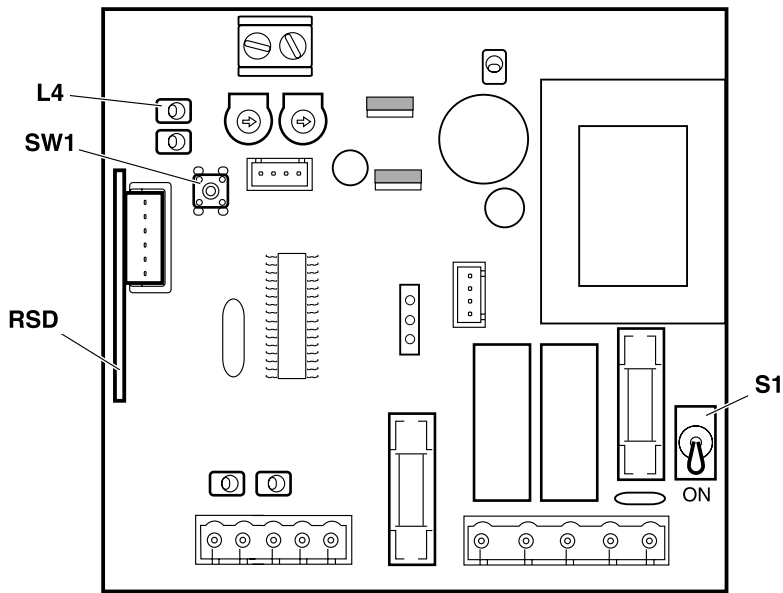
Limit switches (FCA, FCC)

- ❗ The door stops at the end of the operation by way of the FCA and FCC limit switches built into the operator. It is therefore **necessary to have FCC and FCA and to duly adjust them** (see the instructions for the operator used).

Turning direction check

- 1 Connect the electrical power supply and press A.T. (ST1). The first operation carried out after connecting the power supply is opening.
- 2 If closing is to be carried out instead of opening, interchange the cables connected to cable connectors 9 and 10.

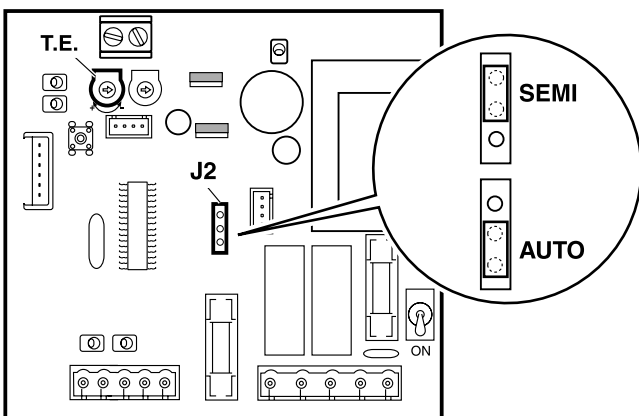
Radio code programming



When using Fixed Code transmitters (433.92MHz or 868.35MHz) and the RSD-433 (433.92MHz) or RSD-868 (868.35MHz) plug-in receiver, the radio code can be saved in the control board itself, as explained below. In other cases, follow the instructions of the plug-in receiver used.

- 1 Connect the panel power supply (S1 in ON).
- 2 Briefly press mini-pushbutton SW1. LED L4 flashes.
- 3 Press the transmitter button to be programmed. The L4 LED flashes to show that the code has been correctly programmed.

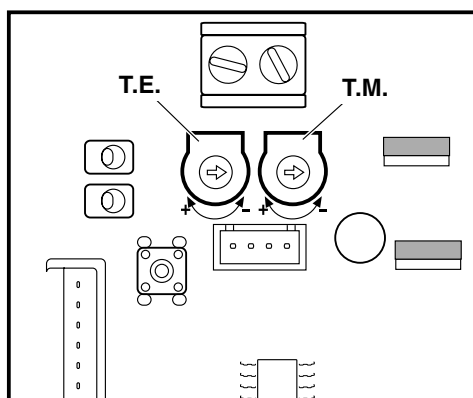
Operation mode selection



Operation mode is selected using J2:

- **Step-by-step mode (J2=SEMI)**
 - Opening is done by briefly operating the key device.
 - Closing is done by briefly operating the key device.
- **Automatic mode (J2= AUTO)**
 - Opening is done by briefly operating the key device.
 - Closing is carried out automatically when standby time finishes, which can be set using the T.E. potentiometer.

Potentiometer adjustment



Door open standby time (T.E.)

If automatic operation mode has been programmed, adjust T.E. to set standby time with the door open (before automatic closing begins).

- i** Minimum value: 5 seconds,
Maximum value: 140 seconds

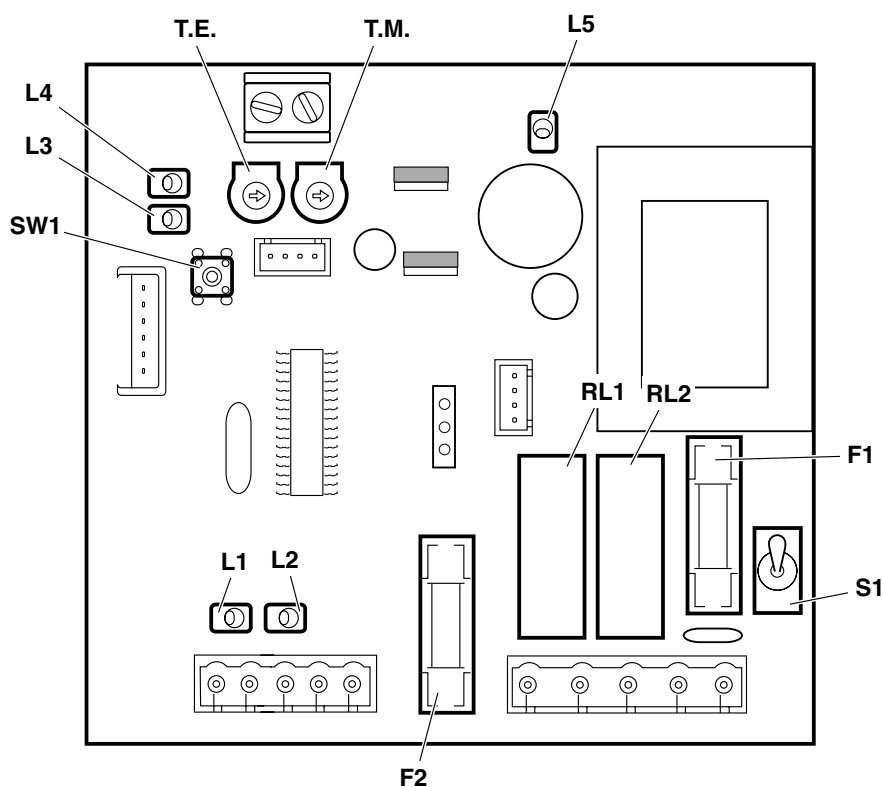
Duration of the operations (T.M.)

The duration of the opening and closing operations is adjusted using T.M.

- 1 Adjust the FCC and FCA limit switches of the operator.
- 2 Adjust T.M. to ensure the door completes the runs (it must reach the FCC and FCA limit switches of the operator).

- i** Minimum value: 1 second,
Maximum value: 70 seconds

Troubleshooting



Diagnosis items

- L1 Opening device (A.T.) activated indicator
- L2 Closing safety device contacts (SG.C) closed indicator
- L3 Door open indicator
- L4 Radio code programming / receiving radio code (RSD) indicator
- L5 Power supply indicator
- F1 Main fuse (5x20):
CLEVER01: 6.3A (230V/50Hz);
CLEVER01M: 6.3A (125V/60Hz)
- F2 Peripheral power supply fuse (5x20): 350mA
- T.E Standby time regulation
- T.M. Operation time regulation
- S1 Main switch
- SW1 Radio code programming mini-pushbutton
- RL1 Close relay
- RL2 Open relay