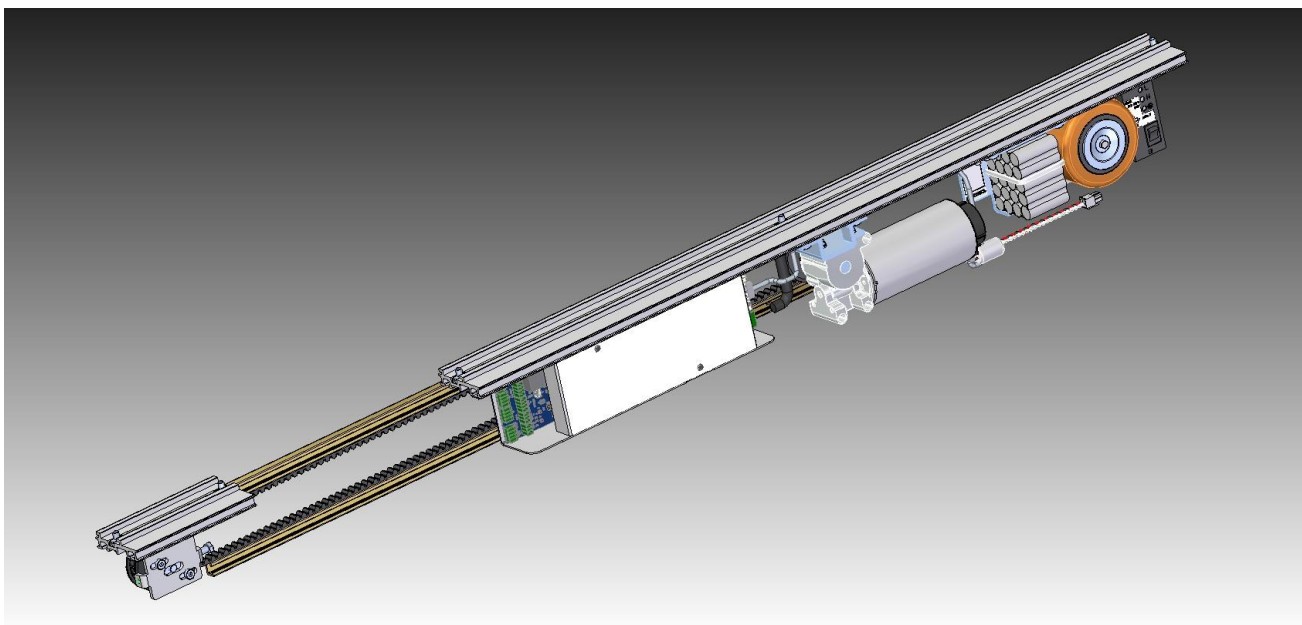


# GLOBAL 4 SYSTEM TELESCOPIC 4 SYSTEM

ACTUATOR FOR SLIDING DOORS

INSTALLATION MANUAL



 **ERREKA**

## INTRODUCTION

ERREKA Connected Access would like to thank you for placing your trust in us by choosing one of our products. We recommend detailed reading of this installation manual for proper assembly the performance of your automatic door will depend on the quality of your work.

ERREKA Connected Access shall not be liable for any damage caused by an installation not made in accordance with this Installation Guide.

Revisión nº	Date	Modifications
07	29/05/2024	GLOBAL 4 / TELESCOPIC 4 Operator SW Version: v1.1.1 HW Version: v2.6

## CONTENTS

1.	WARNING FOR INSTALLER .....	2
2.	EC CONFORMITY STATEMENT .....	2
3.	TOOL KEY .....	2
4.	ELECTRIC PRE-INSTALLATION .....	3
5.	TECHNICAL FEATURES .....	3
6.	GLOBAL ASSEMBLY .....	4
7.	TELESCOPIC ASSEMBLY .....	15
8.	CONTROL BOARD CONNECTION.....	28
9.	SETUP .....	46
10.	PARAMETER ADJUSTING FROM SELECTOR .....	49
11.	TROUBLESHOOTING GUIDE .....	57
12.	ANNEXES .....	61

# 1. WARNING FOR INSTALLER

## Importance of this manual

- Before installing, please read this manual and follow all instructions. Otherwise, the installation may be faulty and may cause accidents and breakdowns.
- ERREKA Connected Access shall not be liable for any damage caused by an installation not made in accordance with this Installation Guide.

## Projected Usage

- This product has been designed to be installed as part of automatic opening and closing sliding pedestrian doors. It is designed for intensive use within the weight limits indicated on the characteristics. Installation and use is indicated to use inside buildings.
- Any use for any purpose other than indicated is considered inadequate and therefore dangerous.

## Safety elements

- The unit meets all current safety standards. Follow the instructions of all the elements fitted in the installation.
- ERREKA Connected Access doesn't accept any responsibility for the safety and smooth operation of the door when using system components other than those produced by ERREKA.

# 2. EC CONFORMITY STATEMENT

**Manufacturer:** MATZ ERREKA, S. Coop.

B ° San Juan 93

20570 Bergara (GUIPUZCOA) - SPAIN

**Product:** Operator for automatic sliding door ERTAIN 4

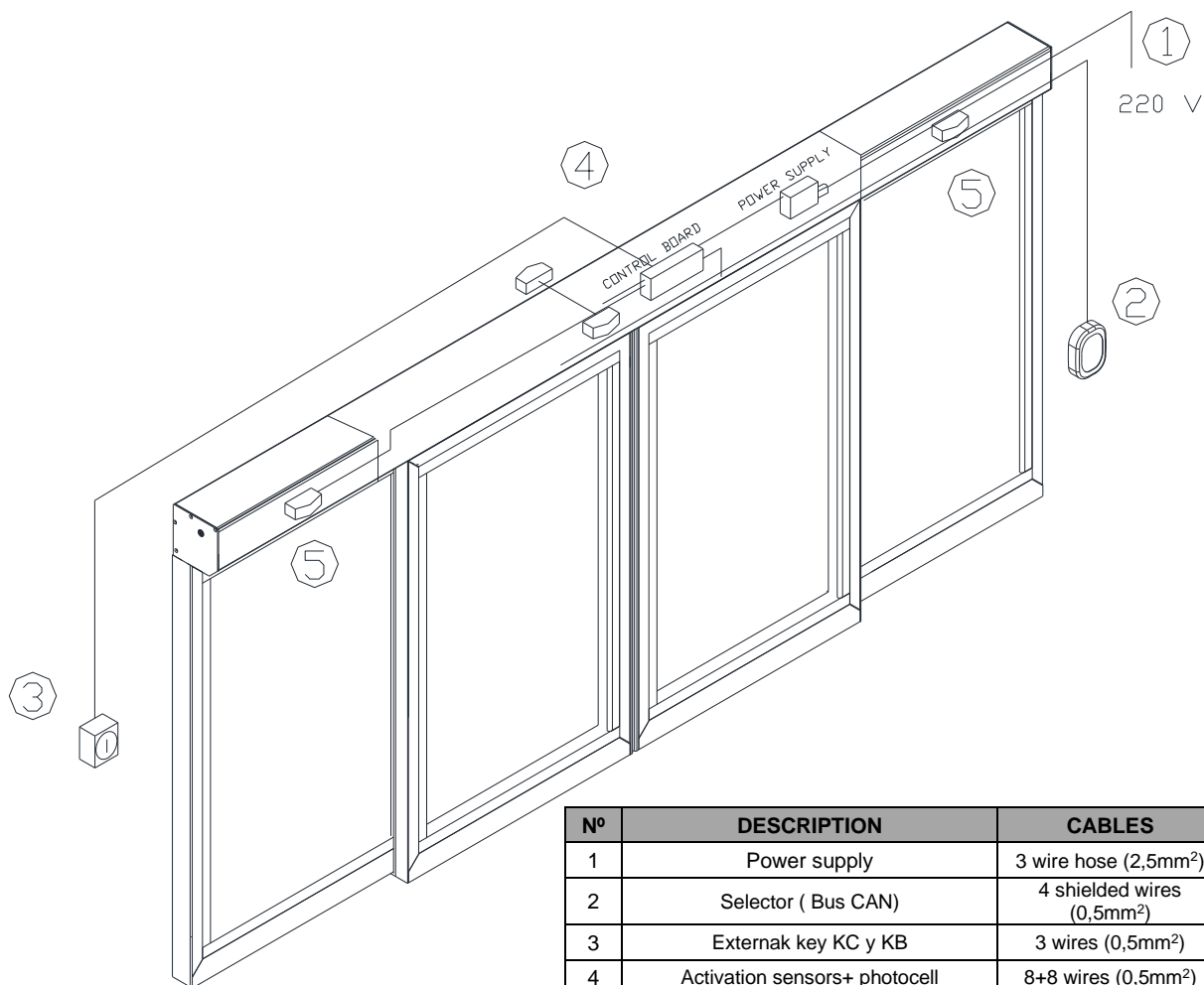
**States that:** The operator has been constructed to be incorporated into the machinery or to be assembled with other elements to create a machine under the following guidelines and standards:

- Low Voltage Directive 2014/35/EU
- Electromagnetic Compatibility Directive 2014/30/EC
- Machinery Directive 2006/42/EC
- Power operated pedestrian doorsets – safety in use, requirements and test methods: EN 16005

# 3. TOOL KEY



## 4. ELECTRIC PRE-INSTALLATION



Nº	DESCRIPTION	CABLES
1	Power supply	3 wire hose (2,5mm <sup>2</sup> )
2	Selector ( Bus CAN)	4 shielded wires (0,5mm <sup>2</sup> )
3	Externak key KC y KB	3 wires (0,5mm <sup>2</sup> )
4	Activation sensors+ photocell	8+8 wires (0,5mm <sup>2</sup> )
5	Safety sensors	6+6 wires(0,5mm <sup>2</sup> )

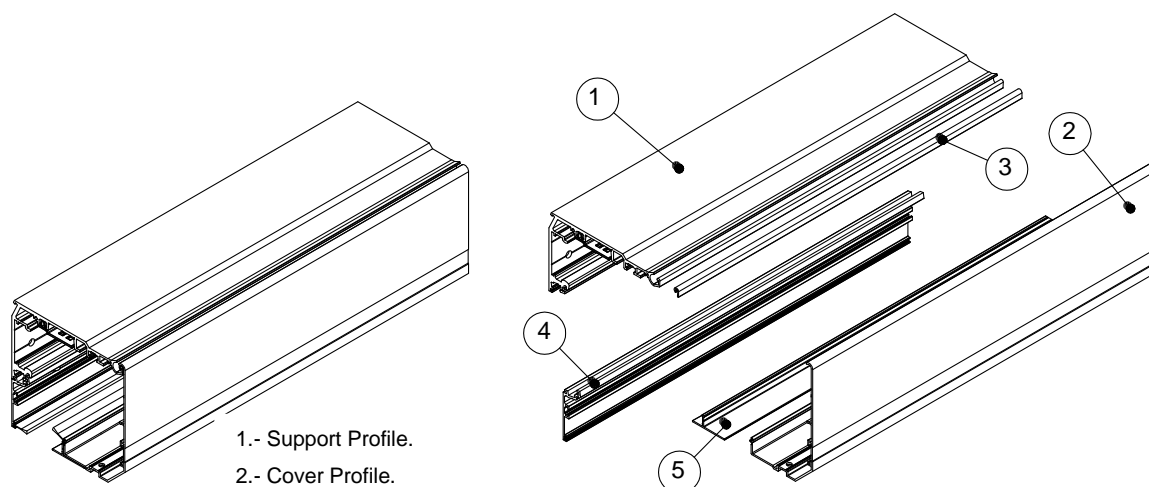
## 5. TECHNICAL FEATURES

CHARACTERISTICS	G4-870 Operator	T4-870 Operator
Clearway (2 sliding-leaves / 4 sliding leaves)	1000 – 3000 mm	1800 – 3800 mm
Clearway (1 sliding-leaf / 2 sliding leaves)	750 – 3000 mm	900 – 3800 mm
Maximum weight per leaf (2 leaves / 4 leaves)	140 + 140 Kg.	70 + 70 + 70 + 70 Kg
Maximum weight per leaf (1 leaf / 2 leaves)	200 Kg	100 + 100 Kg
Opening speed	0,2 – 0,8 m/s	0,2 – 0,8 m/s
Closing speed	0,1 – 0,5 m/s	0,1 – 0,5 m/s
Maximum closing force	150 N	150 N
Temperature	-20 °C / +50 °C	-20 °C / +50 °C
Door open timing	60 segundos	60 segundos
Power Supply *	230 V ~ (±10%) / 50 Hz	230 V ~ (±10%) / 50 Hz
Consumption	200 W	200 W
Batteries	NiCd (24 V)	NiCd (24 V)

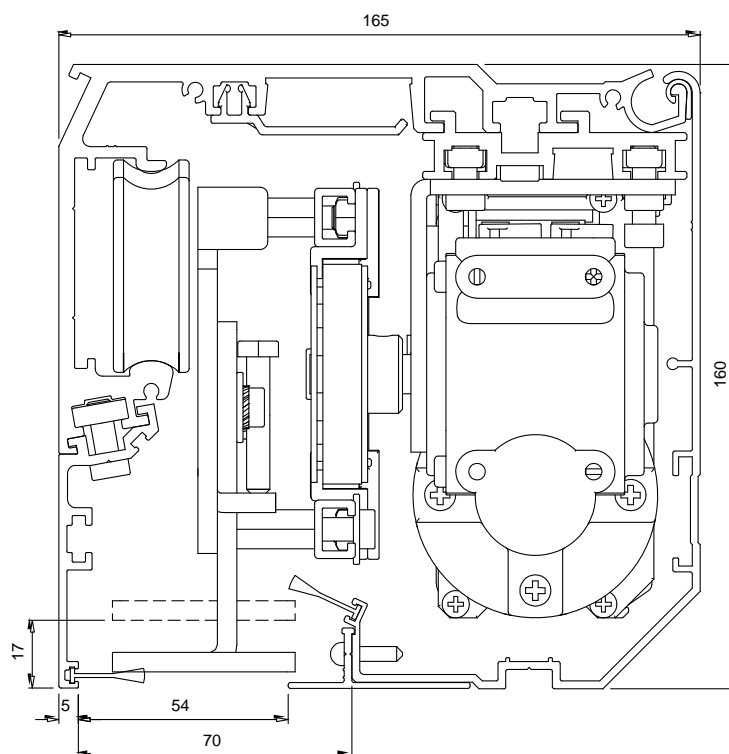
\* Available upon request, the version of the operator for the supply of: 110 V ~ (± 10 %) / 60 Hz

## 6. GLOBAL ASSEMBLY

This section explains in detail how to perform the installation mounting. For your information the following shows a diagram of the profiles and external dimensions of the motorization.



- 1.- Support Profile.
- 2.- Cover Profile.
- 3.- Anti-vibration rubber band.
4. Support bead.
5. Cover bead.

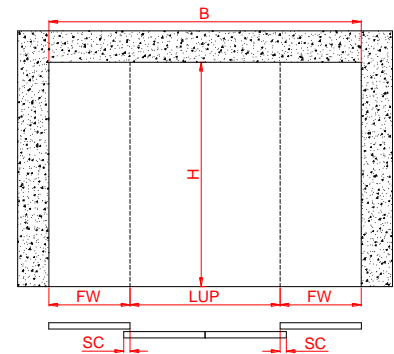


## 6.1 Measuring the structure beforehand

Measure the dimensions of the gap where the door will be installed:

- Clearance height (H)
- Total width (B)
- Define what the Clearway (LUP) is, the Clearance Height Width of the fixed leaves (FW), and the length of the support profile (B).

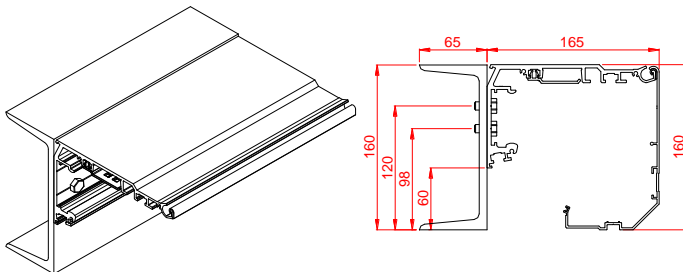
$$B=2 \times LUP+2 \times SC+100$$



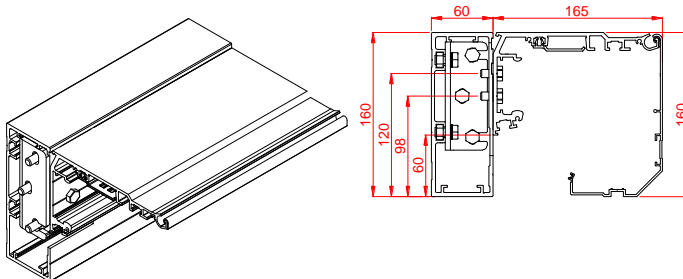
## 6.2 Fitting the support profile

Variantes de colocación del Perfil Caja;

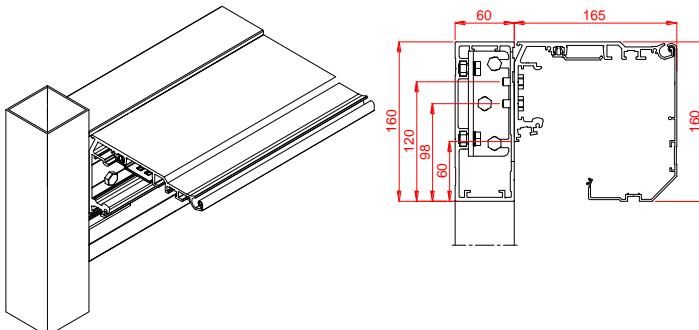
### 1.- Wall or UPN



### 2.- ERREKA lintel – self supporting beam 1



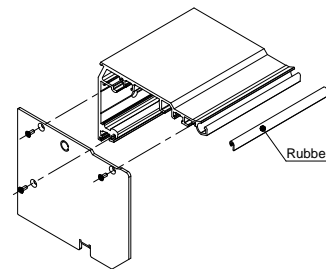
### 3.- ERREKA lintel – self supporting beam 2



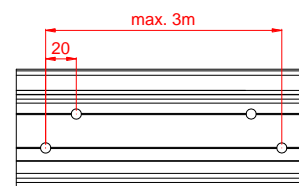
### Pasos a seguir:

1.- Mark the installation height of the support profile. The profile must be set at 35mm from the base of the beam (wall / structure).

2.- Place side covers, fixing them to the support profile with  $\varnothing 4.2 \times 13$  screws. Place the rubber (on the entire length) in the support profile.



3.- Make holes in the support profile on the marking lines.



4.- Fit the profile in the correct position and drill holes in the beam.

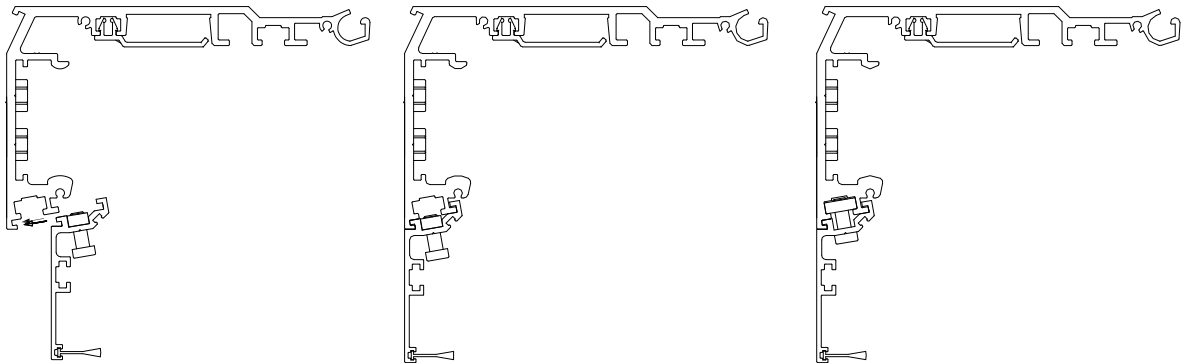
5.- In accordance with the characteristics of the beam:

- Screw the holes for fixing the profile with M8 screws.
- Place anchors bolts to fix with spits.
- Fix the support with a special tapping screw.

6.- Secure the support profile. Make sure the profile is levelled.

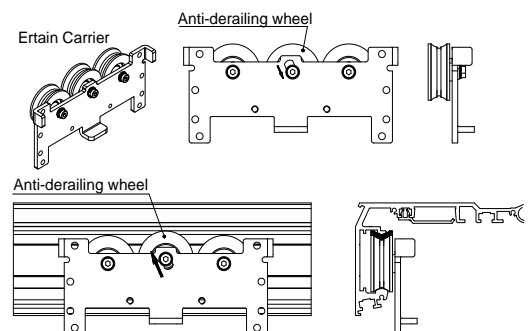
### 6.3 Fitting the support bead

- Insert the brush into the slot of the support bead.
- Each 1 meter, make drill holes in the support bead.
- Place an M6x16 screw in each holes DIN 7984 and an extended nut. Place the bead in the support profile and tighten the screws, place the extended nuts in the direction of the support profile track, move the screws up until they stop and turn them clockwise.



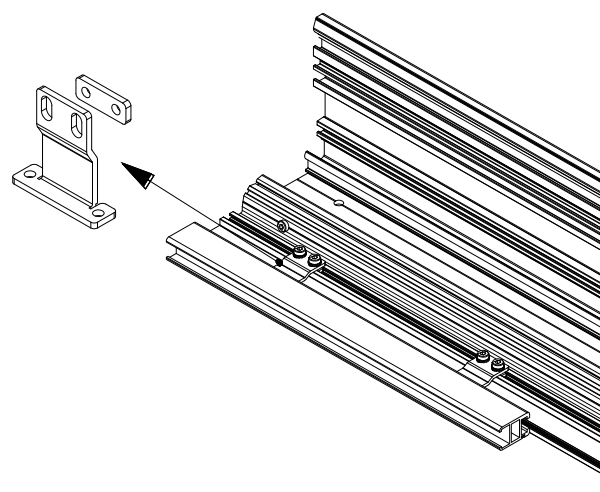
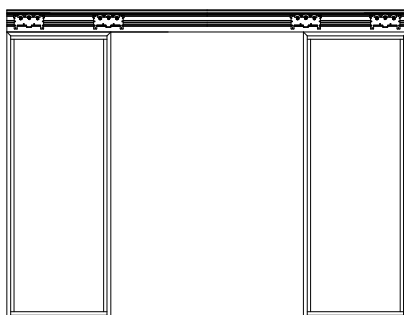
### 6.4 Positioning the carriages on the rail

- With a size 4 Allen wrench loosen the half-way wheel (anti-derailing wheel) and move to the lowest position of the slot.
- Put the carriage above the carriageway of the support profile.
- Once the carriage is on track, move the anti-derail wheel up and secure it.



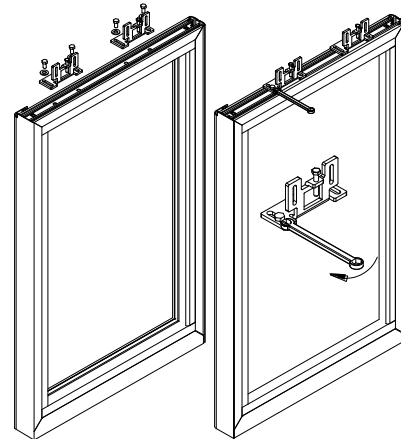
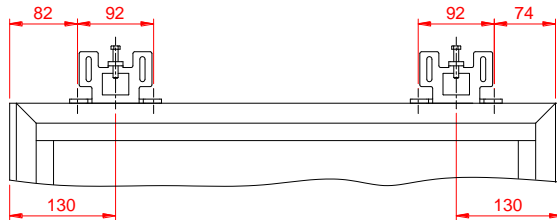
### 6.5 Place the fixed leaves

- Attach the fixed leaves, in accordance with the manual of the profile to be installed.
- For fixed leaves with Fine and Gripper profile use the bridles to attach the fixed leaves to the Support bead!



## 6.6 Fasten the hangers to the mobile leaves

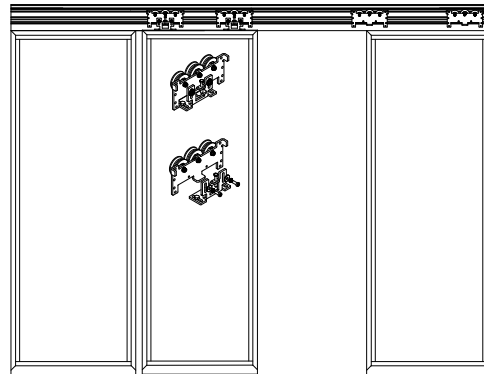
- Secure the hangers on the sliding leaves as in the drawing, the centre of the attack must be approx. 130 mm from the sides of the moving sheet.
- Fasten the M8x25 screws with a size 13 wrench (2 per attack).
- For all profiles, make the holes at the following measurements at the 2 ends.



- With a sliding leaf and electrolock, the centre of the attack must be approx. at 175mm.

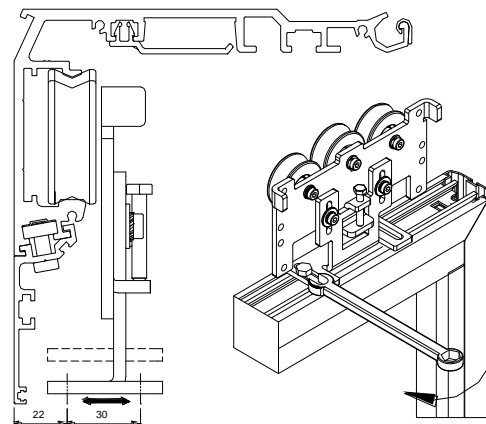
## 6.7 Hang the leaves on the carriages

- Secure the attacks on the carriages with M6x16 Allen screws, the toothed washers and flat washers.



## 6.8 Depth adjustment of the sliding leaves

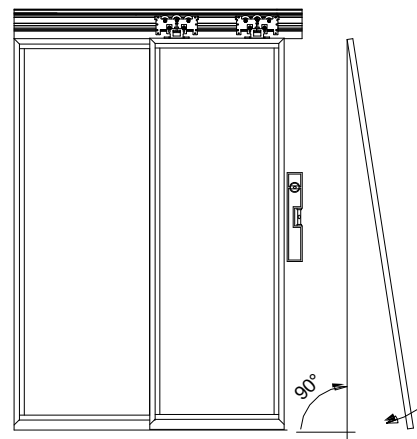
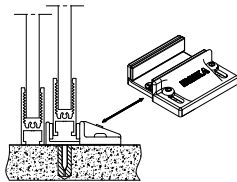
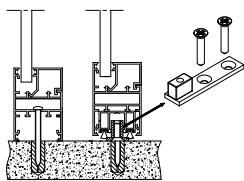
- Use a size 13 wrench to position the moving leaf parallel to the box profile, then measure the distance between the leaf and the beam or the wall. Put the 2 ends of the sheet at 5 mm.





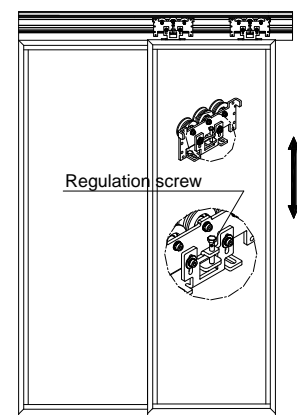
## 6.9 Fitting the Guide

- Move the sliding leaf to find an angle of 90° degrees, to do so use a level.
- At this point, position the guide on the ground at the end of the fixed leaf, with the block inserted into the sliding leaf guide, mark the ground when the blade is level.
- Then secure the guide to the ground and slide the leaf over the guide.



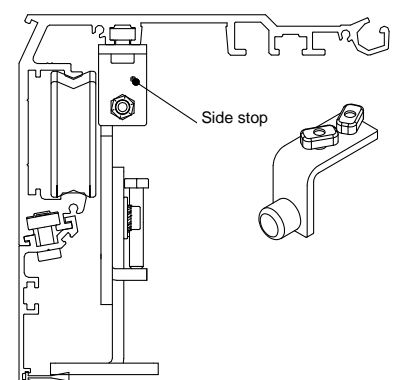
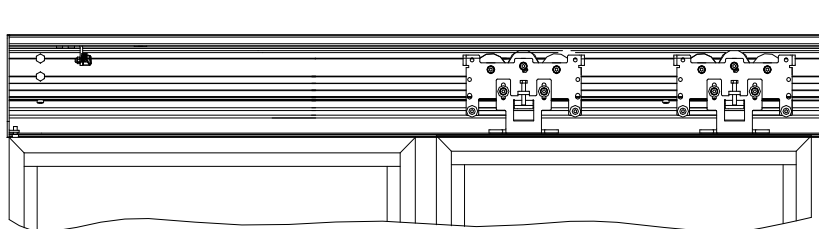
## 6.10 Height Adjustment of the Leaves

- Adjust the leaf height using the central screw of the carriage. This regulation is very important; the leaves must be parallel when they meet.



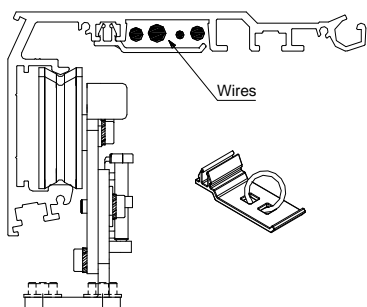
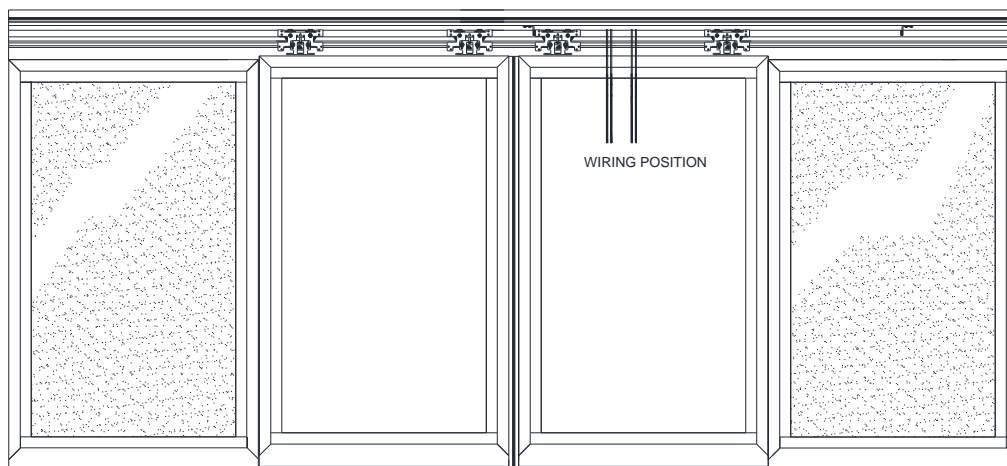
## 6.11 Placing the limit switch

- Place a limit switch where the moving blades meet, to do so insert 2 long nuts on the rail and fasten the limit switch stop with M6x10 Allen screws.
- The other limit is placed on one side.

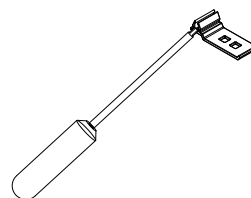


## 6.12 Preparation of wiring

- It is ADVISABLE to pass peripheral device wiring (photocells, radars, selector, etc.) before placing the motorization, as afterwards there is little room for your hands. Try to pass them to the positioning height of the frame to make it easier afterwards the connection to the frame. Use grommets to attach the cables, which are supplied and placed in the support profile (see the picture below).



Use a screwdriver to remove the grommet!



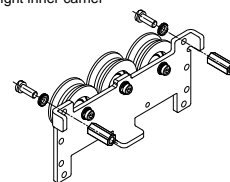
### 6.13 Attaching the arms of the carriers

The layout shown in this section is the layout for the default operator configuration (**clockwise turning direction**). If the arms are to be mounted the other way round, turning direction must be changed to **anti-clockwise** using the digital selector.

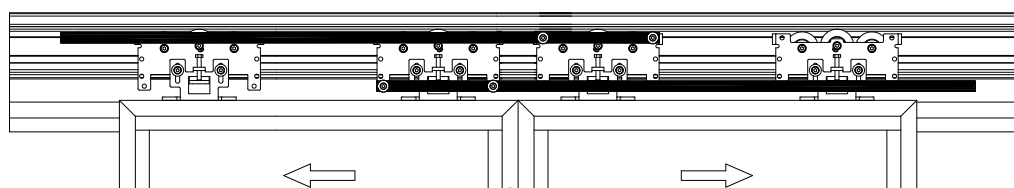
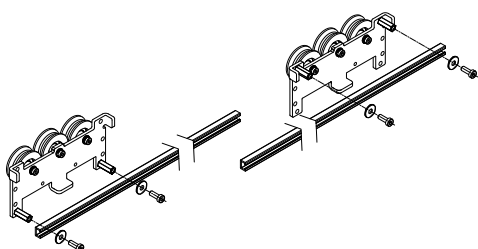
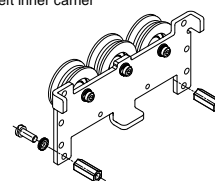
#### 2 Sliding leaves

- Fix the separating nuts with DIN 7984 M6x16 allen screw and splined washer using a wrench n°10.
- The arms must be installed as follows: the right arm in the up position (inside right carrier) and left in the down position (inside left carrier.)

Right inner carrier



Left inner carrier



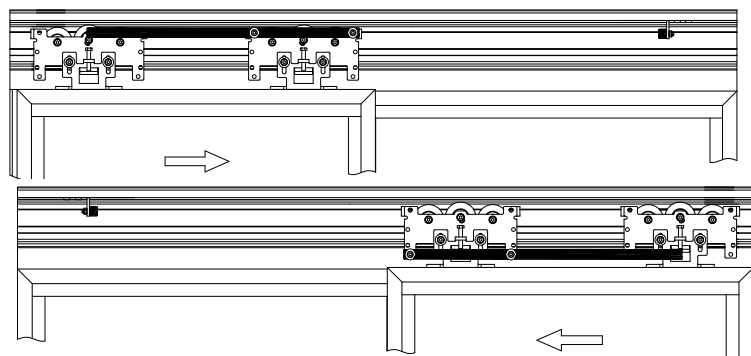
### 1 Sliding leaf

- Right opening

Fix the arm to the right carriage above.

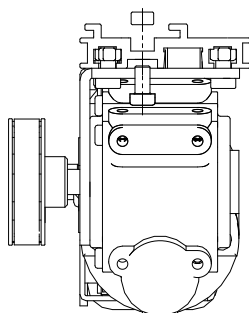
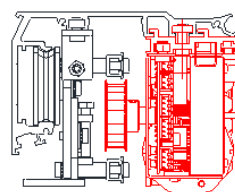
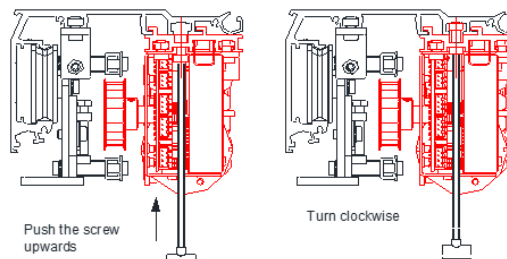
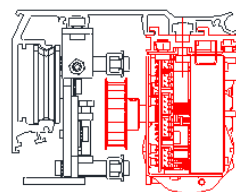
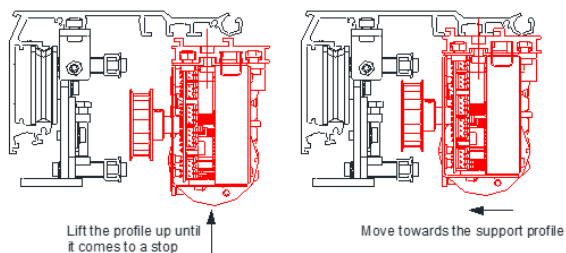
- Left Opening

Fix the arm to the left carriage below.



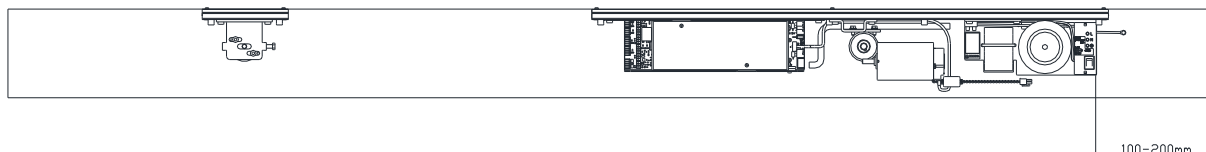
## 6.14 Positioning and fastening the motorised profile

- Remove the 4 screws M6x16, flush with the elongated nut and leave them on the rail as illustrated.
- Open the doors before placing the motorization, so that arms are not in your way.
- Hold the motorization with both hands and push it until it fits snug with the support profile.
- Move the assembly inward so that it fits into the tabs. Once seated, the motorization can be released.
- Position the motorisation to the side depending on the type of installation.
- Push the M6x16 Allen screw until it touches the support profile and turn the screw, until you see the motorization profile press it against the support profile.



### Place the motorization in the Support profile

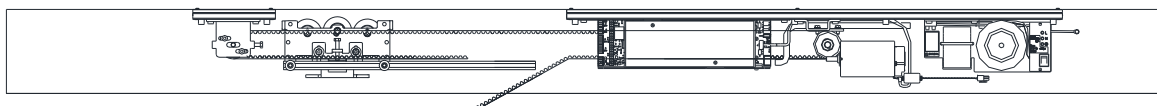
It is best to place motorisation on the right and the pulley on the left, as this will make it easier to connect the main power and the peripherals.



## 6.15 Belt assembly and tense

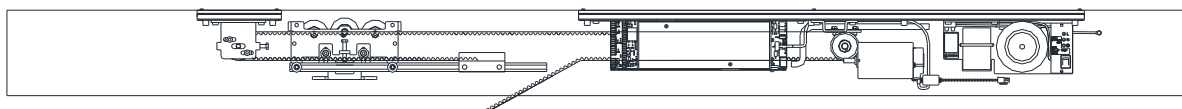
### □ Step 1

- Fit the belt in both pulleys
- Tense the belt with hands and cut it where both ends meet.



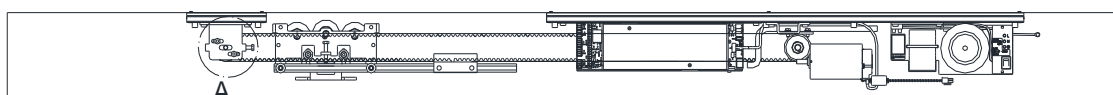
### □ Step 2

- Insert 4 teeth of the belt in the arm bracket.
- Insert 4 teeth of the other belt end in the other side of the belt bracket.



### □ Step 3

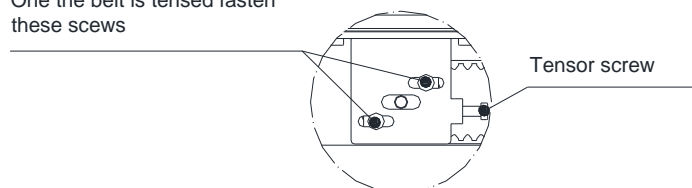
- Put the bracket cap into the bracket with 2 screws and 2 nuts.
- Slide the arm into the nuts and fasten the screws.



### □ Step 4

- In case of two leaves door fasten the other bracket to the other arm in the otherside of the belt.
  - Tense the belt from tensor pulley. Turn the tensor screw with n° 10 spanner and fasten two screws with n° 4 allen wrench.

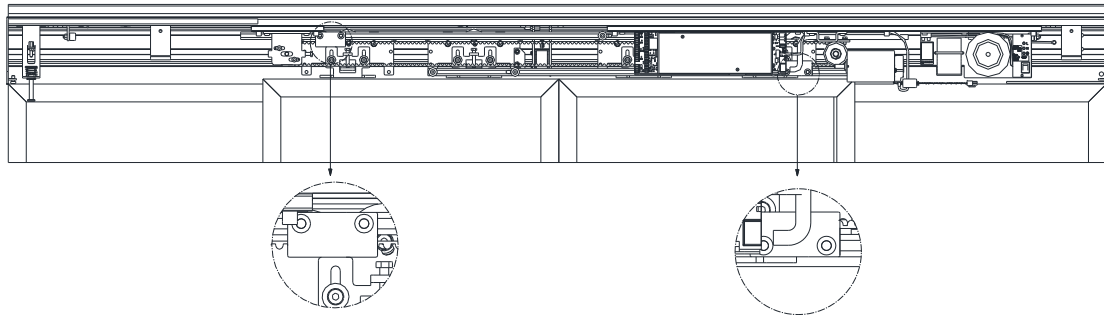
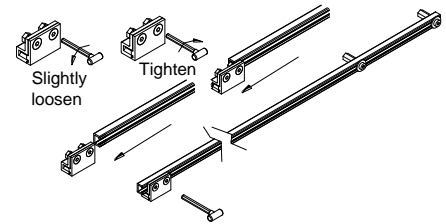
One the belt is tensed fasten these screws



Detail A

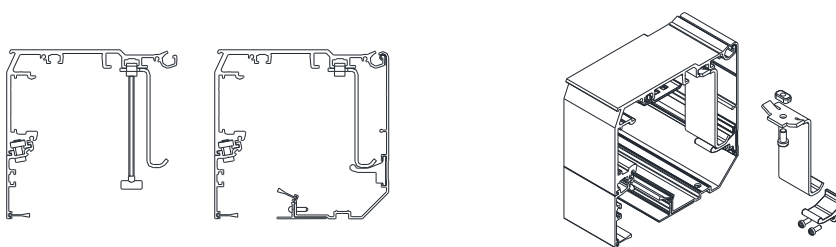
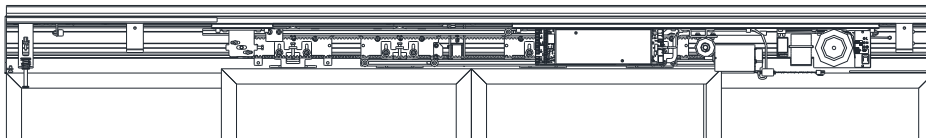
## 6.16 Secure the brackets to the arms

- Release a little the countersunk M6x12 screws, which the brackets have been attached to, move one of the sliding leaves. When M6 nuts used to secure the bracket are located within the arm rail, fasten the M6 countersunk screws with a size 4 Allen wrench.
- Move the 2 loose-leaves until they meet, then secure the other bracket, to the other arm, perform the same operation and carry out a manual check of the movement of the leaves to the end of the course.



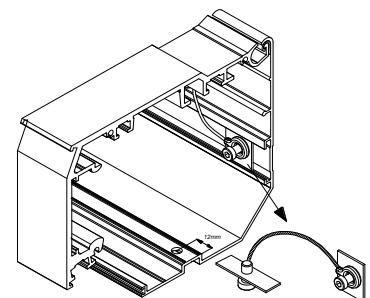
## 6.17 Put the cover positioners

- Place the elongated nuts in the direction of the rail profile support, move the screws up until they stop against the profile. Turn the key clockwise and fit the positioner plate to the support.
- Place the two positioners brackets.
- Put the positioners in the Cover Profile. These should be at the same height of the bracket set in the support profile!

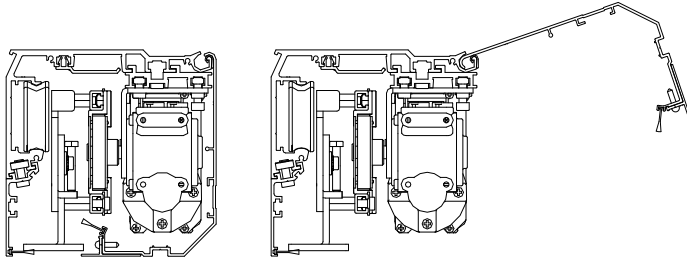


## 6.17 Secure the cover profile

- Drill two 6.5 mm diameter holes at both ends of the cover profile.
- The distance from the centre of the hole to the end should be 12mm.
- Attach the hanging system cables (one at each end of the machine) to the support profile and to the cover profile, as shown in the figure.
- To place the cover profile bracket first, rest the end of the cover on the ball of the support profile. Supporting the profile, let it fall under its own weight which the lid pivots. Finally secure the profile to the side covers using two M6x15 screws (one at each end).



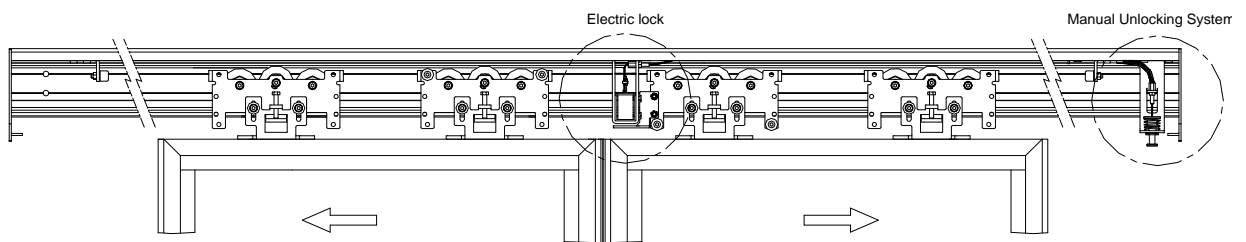
Note: For maintenance you can leave the lid attached by the support profile or suspended by the hanging cords.



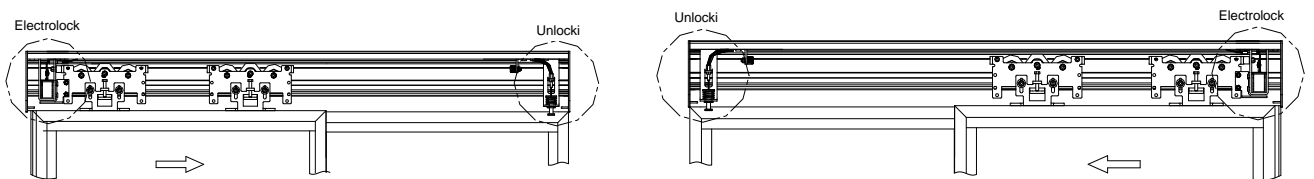
## 6.19 Electrolock assembly and manual unlocking

If the door does not have any electrolock system, go directly to the next chapter, otherwise follow the instructions mentioned below. Depending on the type of installation, the electrolock will be placed in different positions:

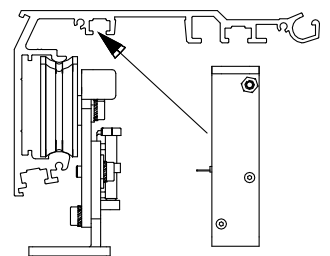
### 2 Moving leaves



### 1 Moving Leaf

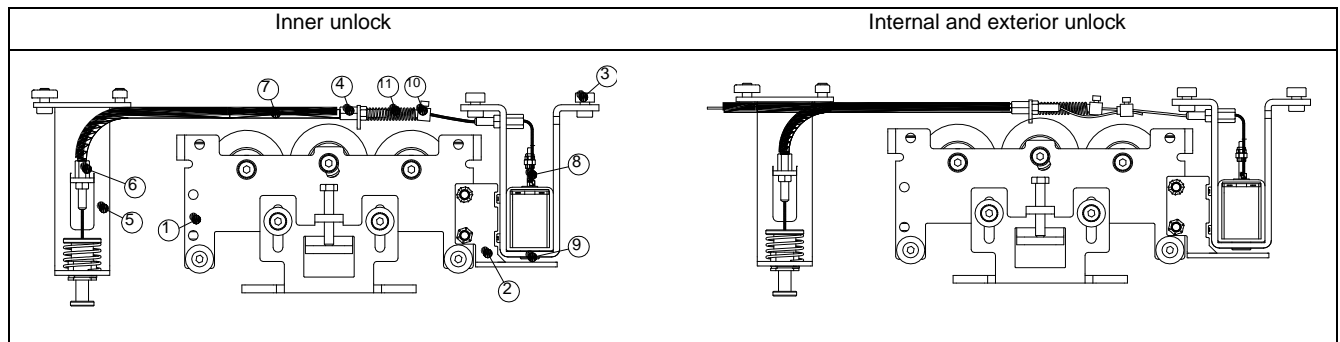


- Secure the "Locking plate (2) to the "Carriage "(1) with two screws. With the door open, insert the two "Elongated Nuts" (3) more or less in the middle of the support profile,
- Fix the "Electrolock" (9) with two screws. Manually, take the door to the closed position. Adjust the location of the Electrolock so that the electromagnet couples the "Locking plate."
- Place the "Release cable bracket" (4) at 60mm on the left (or right as appropriate) of the "Electrolock".
- Place the "Unlock puller" (5) at one end of the support profile (right or left as per installation)
- Slide the "Case" (7) between the "Unlock Cable Support" (4) and Puller (6).
- Pass the "Cable" (8) from the "Electrolock" to "Release Puller." Be careful to insert the "Spring" (11) and "The Brass Bracket" (10) between the "Unlocking Cable Support" and "Electrolock".
- With "Unlock Puller " in down position and the "electromagnet" in up position, cut the "Cable" to the height of the base of the "Unlock Puller" and attach the "Cable" to the puller with the catch. Pulling the lever to check that the "Electrolock" unleashes the carriage and releasing the " Electrolock "it falls down.



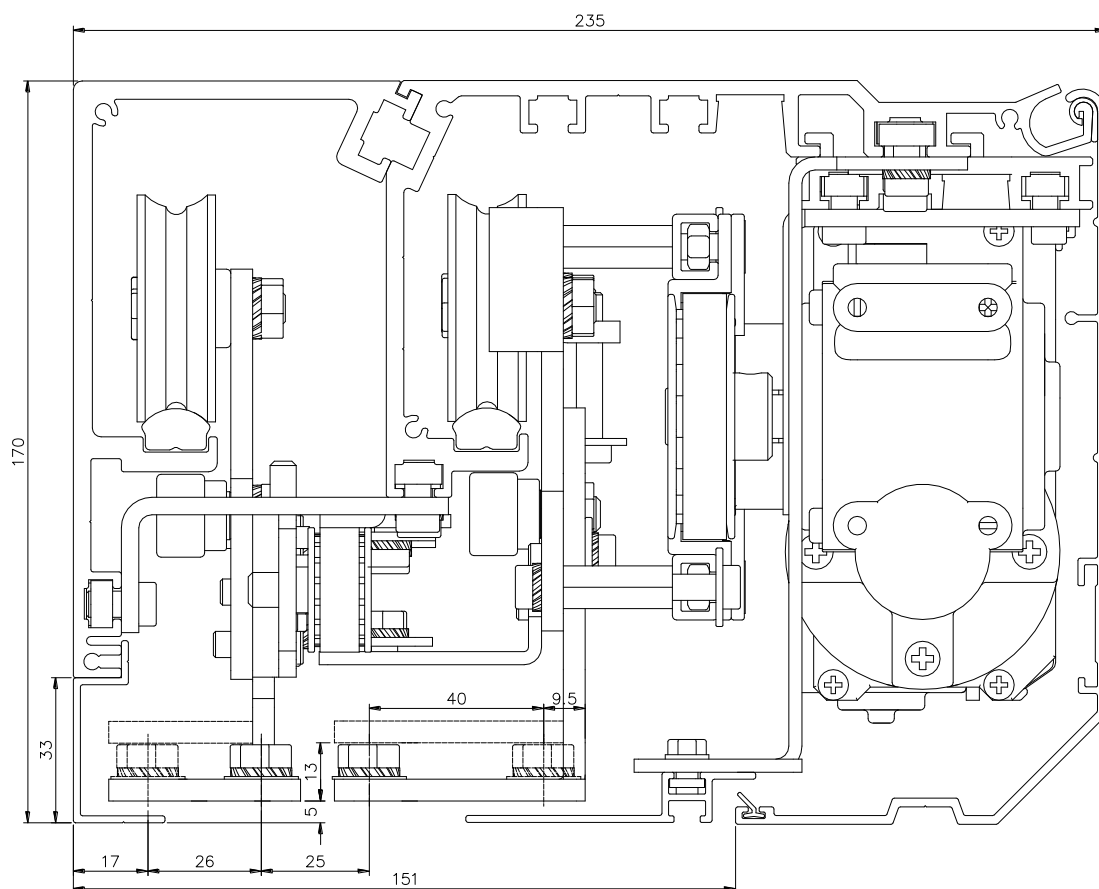
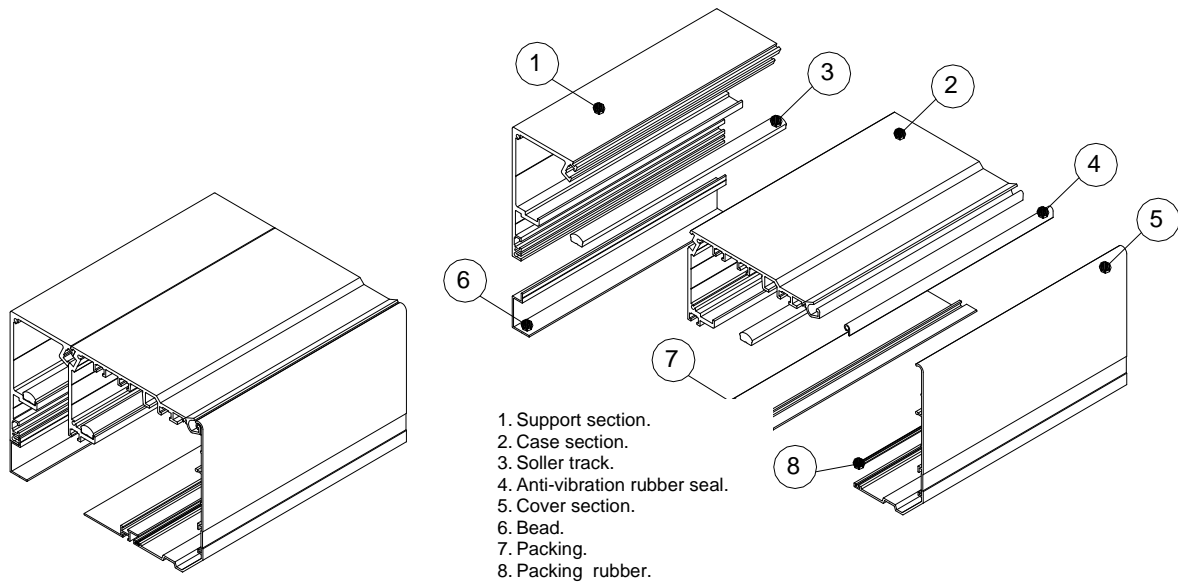
Fasten the "Brass Bracket" (10) to the "Cable", so when the "electrolock" is down the "Spring" (11) gently will push the "Cable" towards the "Electrolock"!

- Connect the wires to the frame. Adjust the length of the cable using the terminal block. Specially on single moving leaf door.



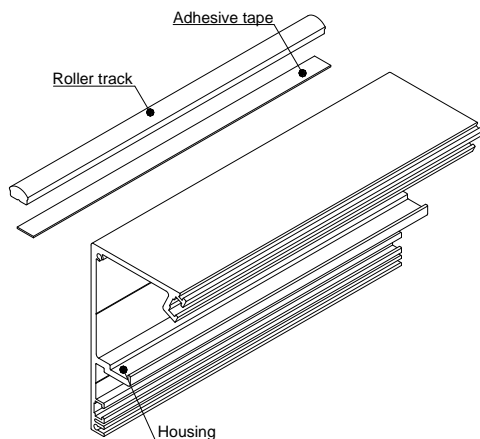
## 7. TELESCOPIC ASSEMBLY

This section explains in detail how to perform the installation mounting. For your information the following shows the profile key and external dimensions of the motorization.



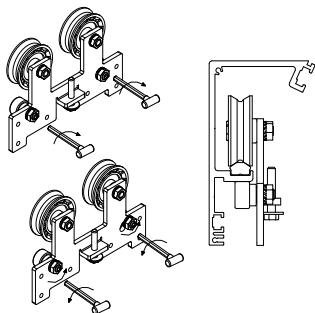


## 7.1 Fit the roller track



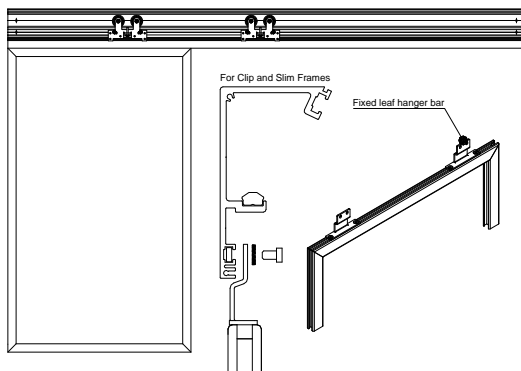
- Stick the double-sided adhesive tape to the roller track.
- Thoroughly clean the roller track housing (remove any shavings).
- Peel off the adhesive backing paper and gradually insert the roller track in the housing.

## 7.2 Position the carriers on the track



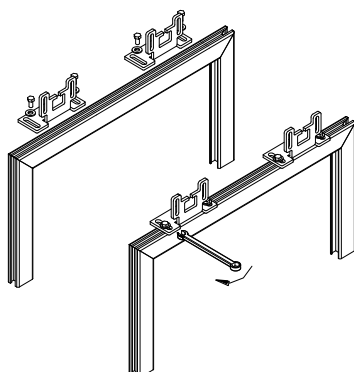
- Loosen the anti-derailing wheels by turning the Allen bolt to the right with the n° 4 Allen wrench, and move the wheel to the central part of the seat.
- Place the carrier on the roller track.
- Then move the wheel to the ends, using the Allen wrench, and fix the nut by turning the Allen wrench to the left.

## 7.3 Fit the fixed leaf



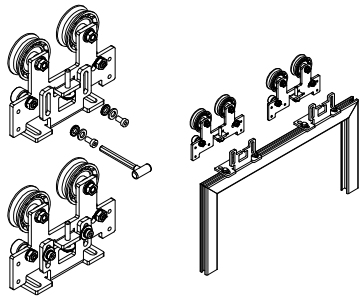
- Mount the fixed leaves, following the instructions provided in the door frame installation manual.
- If the frame to be installed is a slim frame or clip frame, secure the upper part of the fixed leaf using the "fixed leaf hanger bar" (see diagram).

## 7.4 Fix the hanger bar to sliding leaf 1



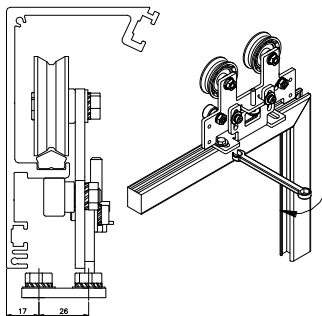
- Mount the hanger bars on the sliding leaves as shown in the diagram (the hanger bar centre should be approximately 120 mm from the ends of the sliding leaf).
- Fix two M8x25 bolts to each of the hanger bars, using a n° 13 spanner.
- Make holes at each end of all the frames, in accordance with the measurements shown below.

### 7.5 Hang the leaf on the carriers



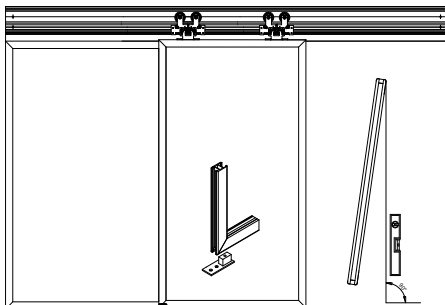
- Fix the hanger bars to the carriers using M6x16 Allen bolts, the toothed washers and the flat washers.

### 7.6 Adjust the depth of sliding leaf 1



- Use the nº 13 spanner to position the sliding leaf parallel to the case section.

### 7.7 Fit the guide



Using a spirit level, move the sliding leaf until it is at 90° to the floor.

- Then position the guide on the floor at the end of the fixed leaf, with the block in the sliding leaf guide. Make a mark on the floor when the leaf is level.

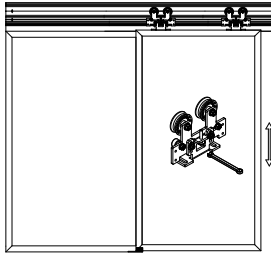
- Then fix the guide to the floor and slide the leaf onto the guide.



**Caution:** using the recessed aluminium rail to guide the leaves is recommended

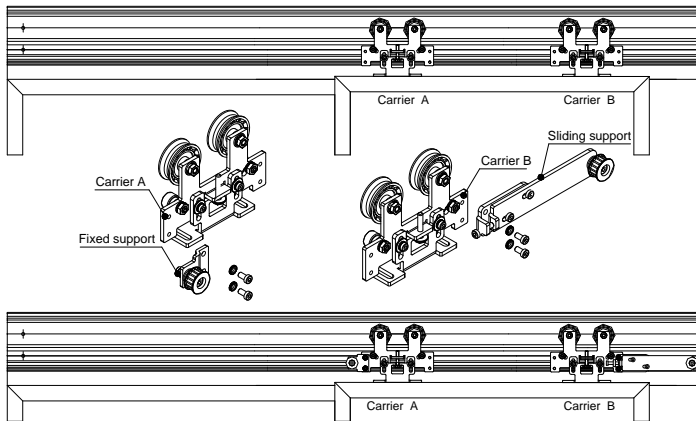
<p>3.- KIT EMPOTRAR 3: Kit guía empotrada COMPACT TELESCOPIC (2+0, 2+1)</p>		<p>7.- KIT EMPOTRAR 7: Kit guía empotrada COMPACT TELESCOPIC (4+0, 4+2)</p>	
<p>4.- KIT EMPOTRAR 4: Kit guía empotrada PINZA-FINA TELESCOPIC (2+0, 2+1)</p>		<p>8.- KIT EMPOTRAR 8: Kit guía empotrada PINZA – FINA TELESCOPIC (4+0, 4+2)</p>	

## 7.8 Adjust the height of sliding leaf 1



- Using a size 10 spanner, adjust the leaf height with the central carrier bolt. This adjustment is important in order to obtain a perfect fit between the two sliding leaves.

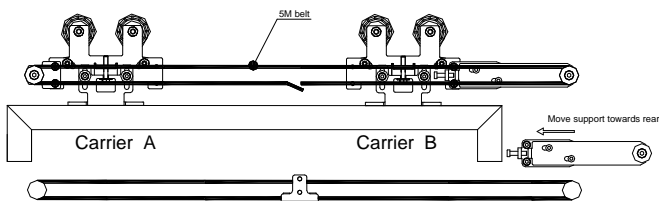
## 7.9 Fit the inner supports



- Fit the fixed support to Carrier A (see diagram), using two M6x12 bolts and two grooved washers.

- Fit the sliding support to Carrier B (see diagram), using two M6x12 bolts and two grooved washers.

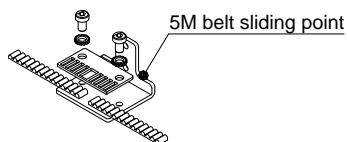
## 7.10 Fit the 5M belt



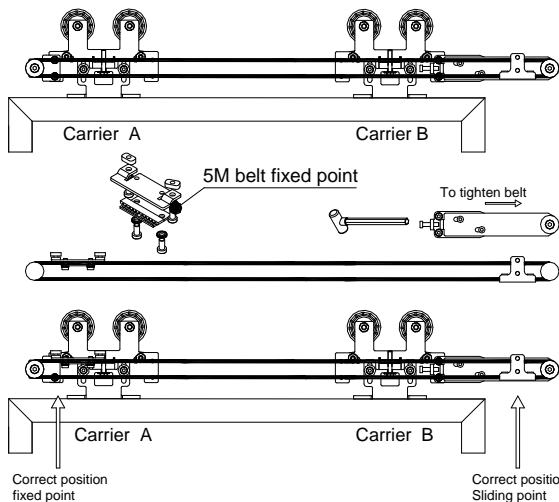
- When the supports have been mounted, move the sliding support towards the rear.

- Cut the 5M belt to size.

- Fix the two ends of the belt with the 5M belt sliding point.



## 7.11 Fit the 5M fixed point

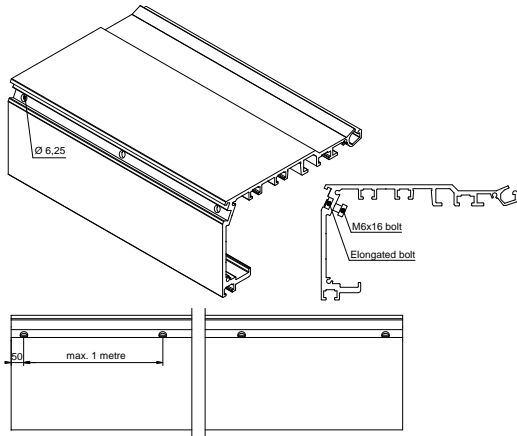


- Tighten the 5M belt by moving the sliding support.

- Move the sliding point towards the sliding support (see diagram).

- Fix the 5M belt fixed point to the opposite side (see diagram).

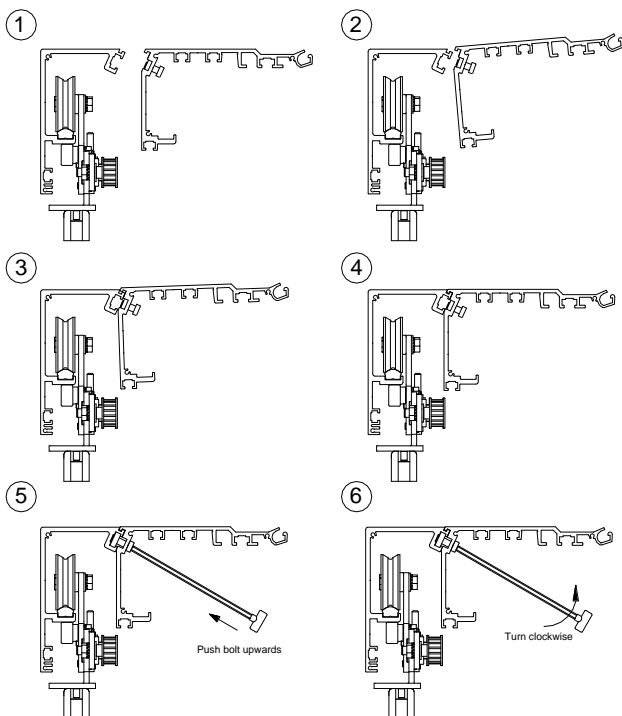
## 7.12 Drill holes in the case section



- Drill  $\varnothing$  6.25 holes in the case section (see diagram). Make the holes on the line.
- Maximum distance between holes: 1 metre.
- Distance from hole centre to edge: 50mm.

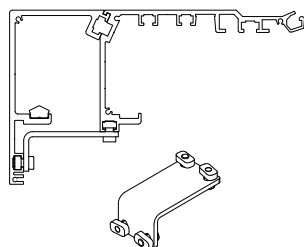
Place a M6x16 bolt in each hole, with an elongated nut. Level the bolts with the elongated nuts and leave them in the track as shown in the diagram.

## 7.13 Fit the case section

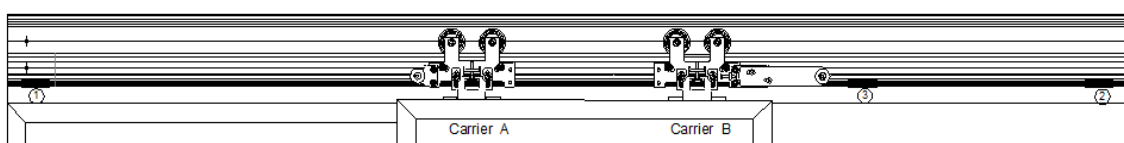


- Check the M6x16 bolts are levelled with the elongated nuts.
- Fit the case section in the support section (see diagrams).
- Push the Allen bolts in until they are touching the support section. Then turn the bolts until you can see that the case profile is firmly pressed against the case section.

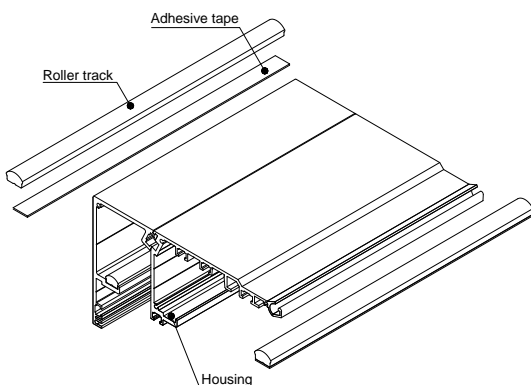
## 7.14 Fit the case section to the support section



- Fix the support and case sections using the L-shaped part.
- Fit parts 1 and 2 in the corners, one in each corner (see diagram). For heavy doors (100kg per door), fit a third part, part 3. The correct position of the third part is as shown in the diagram. If you place it any further to the left it will obstruct the internal mechanism!!!

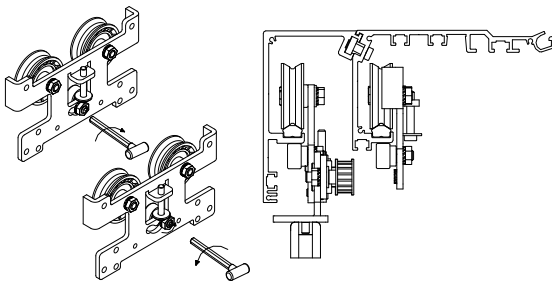


### 7.15 Fit the roller track



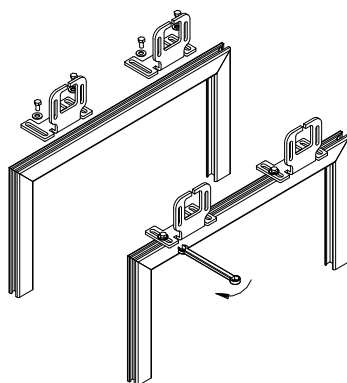
- Stick the double-sided adhesive tape to the roller track.
- Thoroughly clean the roller track housing (remove any shavings).
- Peel off the adhesive backing paper and gradually insert the roller track in the housing.

### 7.16 Position the outer carriers

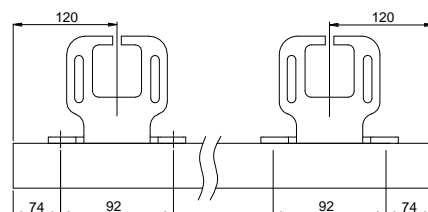


- Loosen the anti-derailing wheel by turning the Allen bolt to the right with the n° 4 Allen wrench, and move the wheel to the central part of the seat.
- Place the carrier on the roller track.
- Then move the wheel to either of the ends, using the Allen wrench, and fix the nut by turning the Allen wrench to the left.

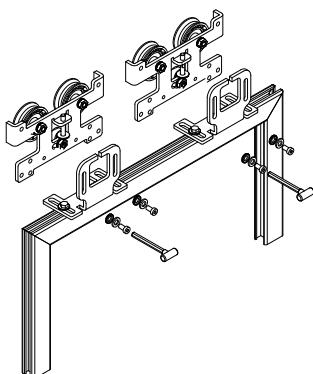
### 7.17 Fix the hanger bar to sliding leaf 2



- Mount the hanger bars on the sliding leaves as shown in the diagram. The centre of the hanger bar should be approximately 120 mm from the ends of the sliding leaf.
- Fix two M8x25 bolts to each of the hanger bars, using a n° 13 spanner.
- Make holes at each end of all the frames, in accordance with the measurements shown below.

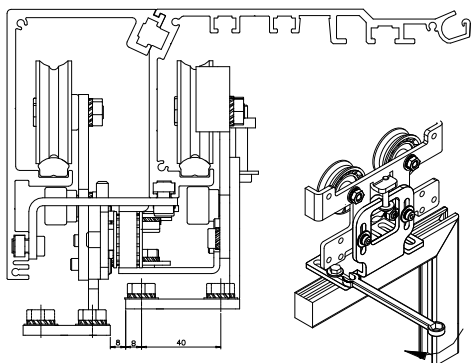


### 7.18 Hang the leaf on the carriers



- Fix the hanger bars to the carriers using M6x16 Allen bolts, the toothed washers and the flat washers.

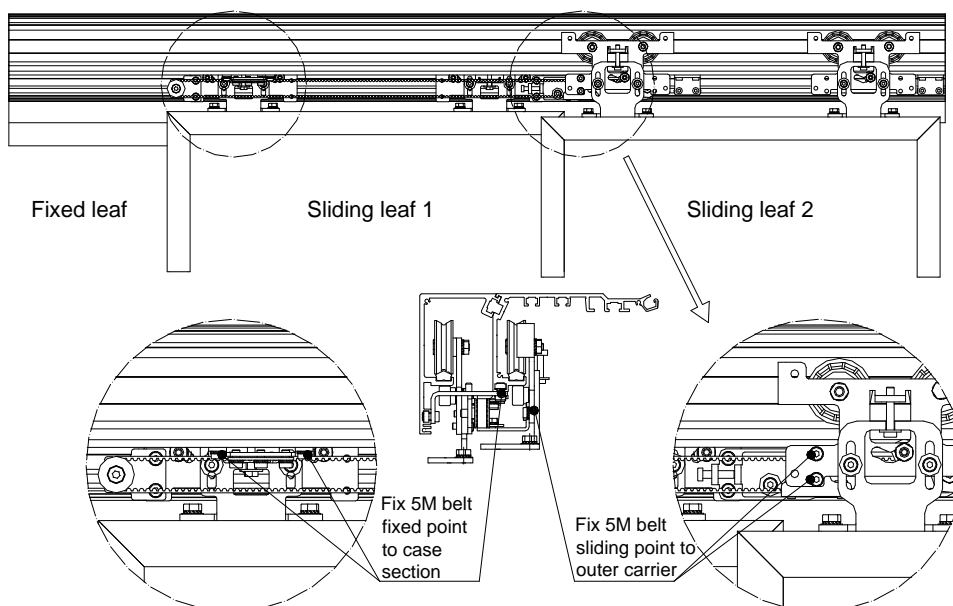
### 7.19 Adjust the depth of sliding leaf 2



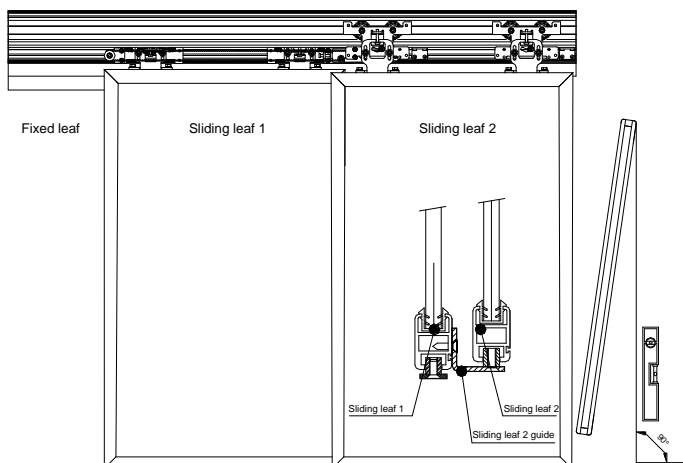
- Use the n° 13 spanner to position the sliding leaf parallel to the case section.

### 7.20 Fit the fixed and sliding points

- Fit the 5M belt sliding point to the outer carrier using two M6x12 bolts and two grooved washers (see diagram).
- Fit the 5M belt fixed point to the case section using two M6x12 bolts and two grooved washers (see diagram).



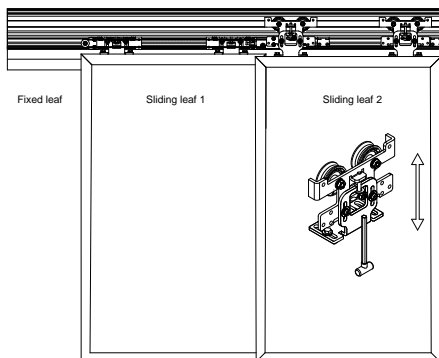
### 7.21 Fit the guide to sliding leaf 2



- Fix the guide to sliding leaf 1 using two plate bolts (see diagram).

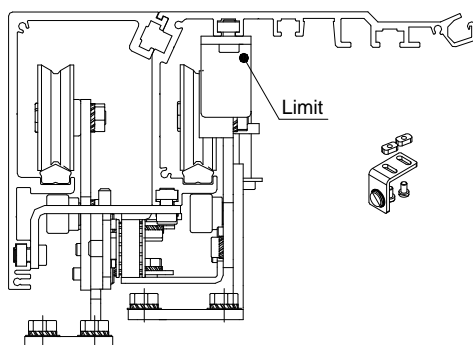
ERREKA RECOMMENDS USING THE ALUMINUM FLOOR GUIDE!

## 7.22 Adjust the height of sliding leaf 2



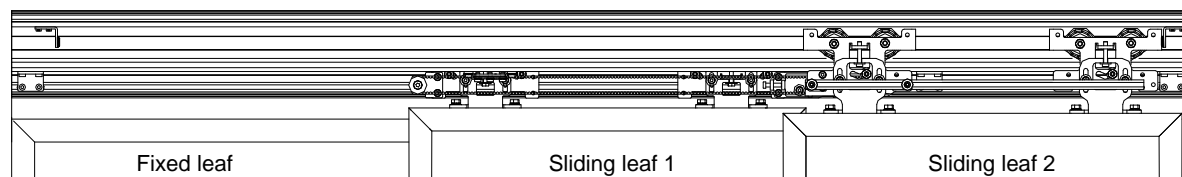
- Using a size 4 Allen wrench, adjust the leaf height with the central carrier bolt. This adjustment is important in order to obtain a perfect fit between the two sliding leaves.

## 7.23 Fit the limit switches



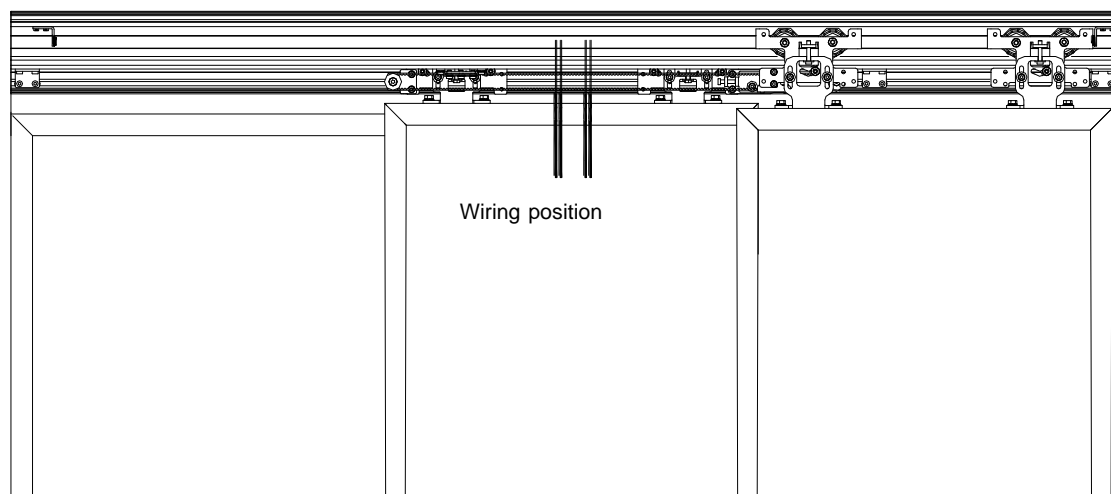
- Place a limit switch at the point where sliding leaves 2 meet. To do this, insert the elongated nuts in the slide and fix the limit switch unit in place using M6x10 Allen bolts.

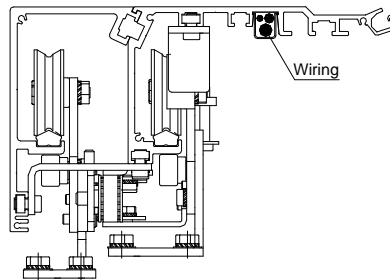
- Fit the other limit switch to one of the sides.



## 7.24 Preparation of wiring

- It is advisable to pass peripheral device wiring (photocells, radars, selector, etc.) before placing the motorization, as there is little room afterwards for your hands. Try to pass them to the positioning height of the frame to make the connection to the frame easier afterwards. Use grommets to attach the cables, which are supplied and placed in the support profile (see the picture below).





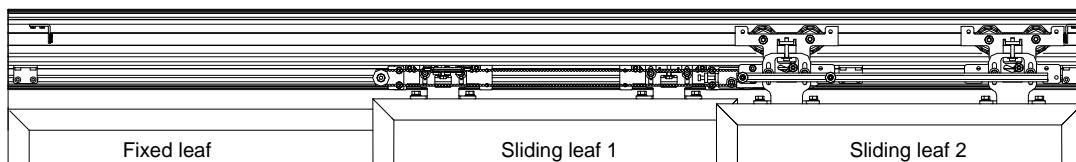
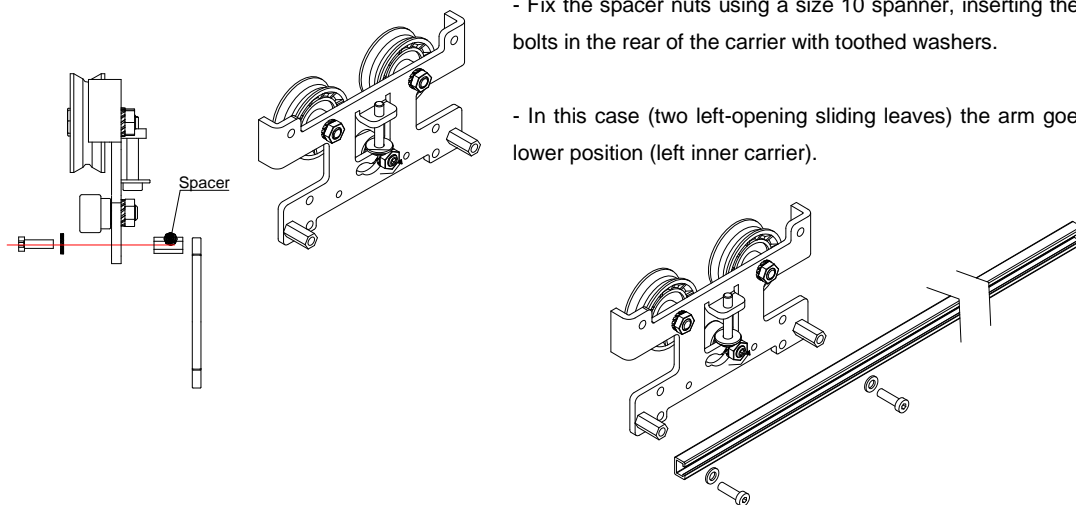
Wiring

## 7.25 Attaching the arms of the carriages

- **2 left-opening sliding leaves**

- Fix the spacer nuts using a size 10 spanner, inserting the M6x20 bolts in the rear of the carrier with toothed washers.

- In this case (two left-opening sliding leaves) the arm goes in the lower position (left inner carrier).



Fixed leaf

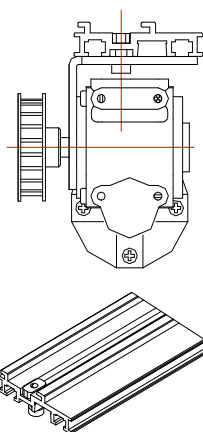
Sliding leaf 1

Sliding leaf 2



To see the position of the arms in different types of installation look paragraph 6.39.

## 7.26 Positioning and fastening the motorised profile



- Loosen the 4 M6x16 bolts until they are at a level with the elongated nut and leave them on the track as indicated in the diagram.

- Open the doors before fitting the motor unit, so that the arms do not obstruct the mechanism.

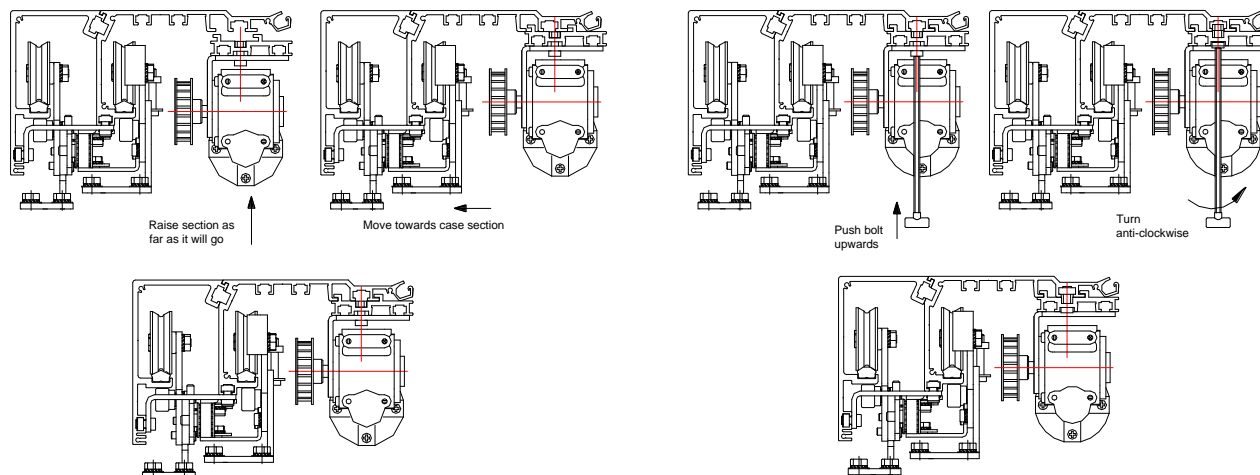
- Take hold of the motor unit and move it upwards until it reaches its limit against the case section.

- Move the motor unit inwards, so that the tabs fit into place. The unit can then be released.

- Place the motor unit laterally, according to the type of installation.

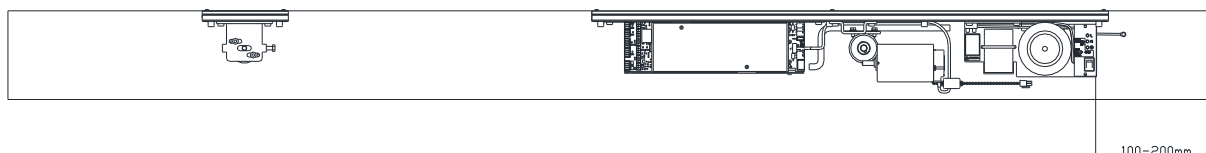
- Insert the M6x16 Allen bolt until it reaches the case section and turn the bolt until the motor unit is firmly fixed to the case section.





### **Place the motorization in the Support profile**

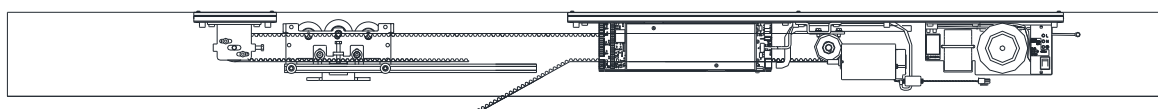
It is best to place motorisation on the right and the pulley on the left, as this will make it easier to connect the main power and the peripherals.



## **7.27 Belt assembly and tense**

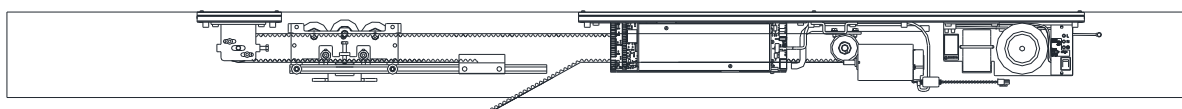
### **❑ Step 1**

- Fit the belt in both pulleys
- Tense the belt with hands and cut it where both ends meet.



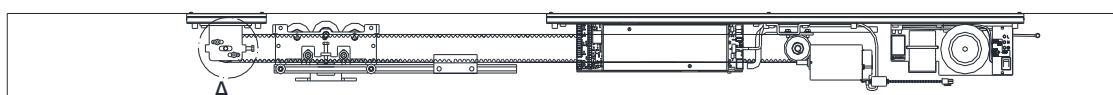
### **❑ Step 2**

- Insert 4 teeth of the belt in the arm bracket.
- Insert 4 teeth of the other belt end in the other side of the belt bracket.



### **❑ Step 3**

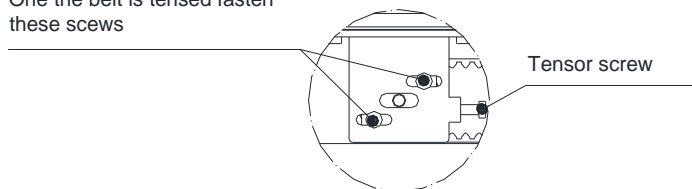
- Put the bracket cap into the bracket with 2 screws and 2 nuts.
- Slide the arm into the nuts and fasten the screws.



#### □ Step 4

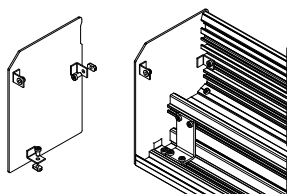
- In case of two leaves door fasten the other bracket to the other arm in the otherside of the belt.
- Tense the belt from tensor pulley. Turn the tensor screw with n° 10 spanner and fasten two screws with n° 4 allen wrench.

Once the belt is tensed fasten these screws



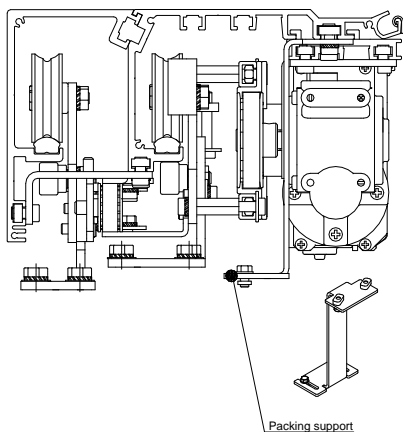
Detail A

### 7.28 Fit the side covers



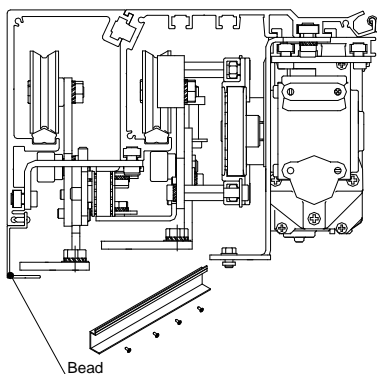
- Fix the side covers to the case section.

### 7.29 Fit the packing supports



- Fit the packing supports, one at each end of the section (see diagram).

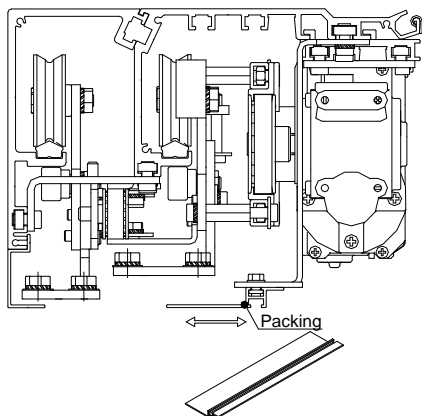
### 7.30 Fit the bead



- Fit the support section to the bead section using plate bolts.

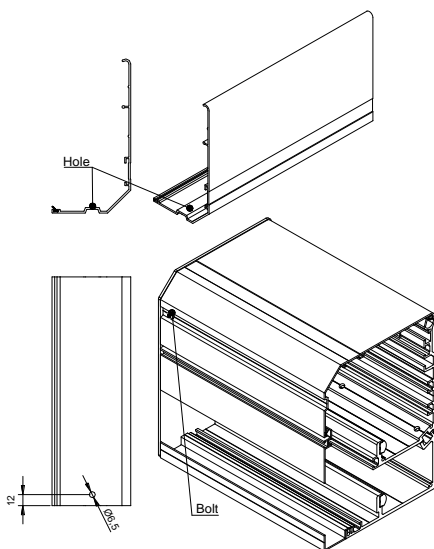
**!** TO REDUCE THE SHAFT (BETWEEN THE BEAD AND INSIDE DOOR), FIT THE "L" PROFILE. (see the drawing)

### 7.31 Fit the packing section



- Fit the packing and adjust its depth.

### 7.32 Fit the cover section



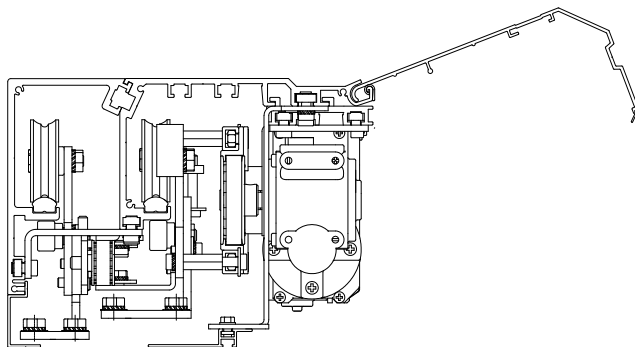
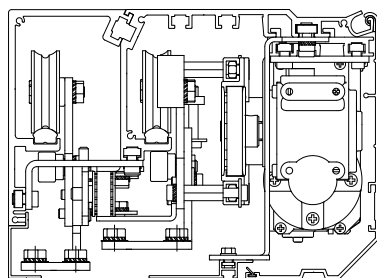
- Drill two 6.5 mm diameter holes in the two ends of the cover section. The distance from the centre of the hole to the end should be 12 mm.

- Fit the rubber strip to the cover section.

- To fit the cover, first rest the end of the cover in the case section ball.

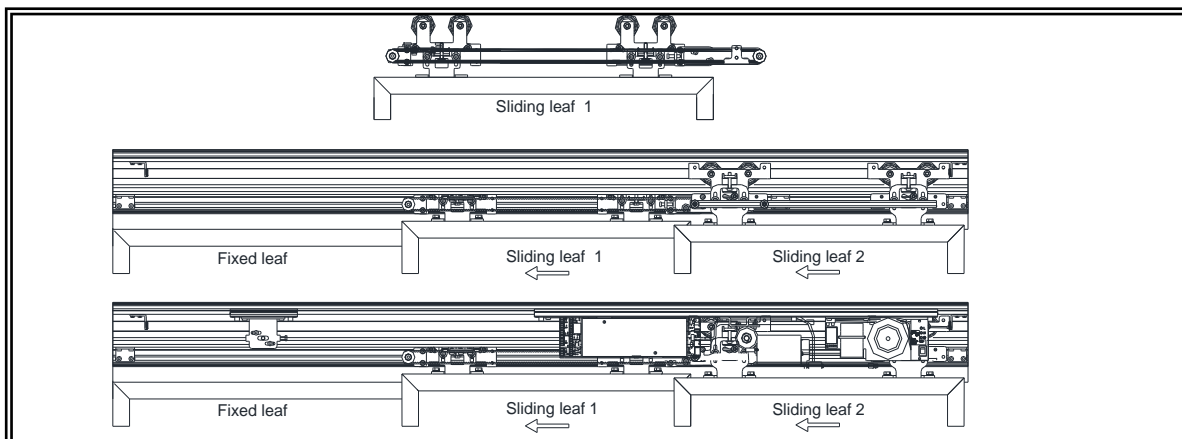
- When the section is positioned, allow it to slide down by its own weight until the cover pivots. Lastly, fix the cover section to the side covers using two M6x15 bolts (one at each end).

Important: The cover does not need to be completely detached from the unit for maintenance: it can be partially detached and left hanging.

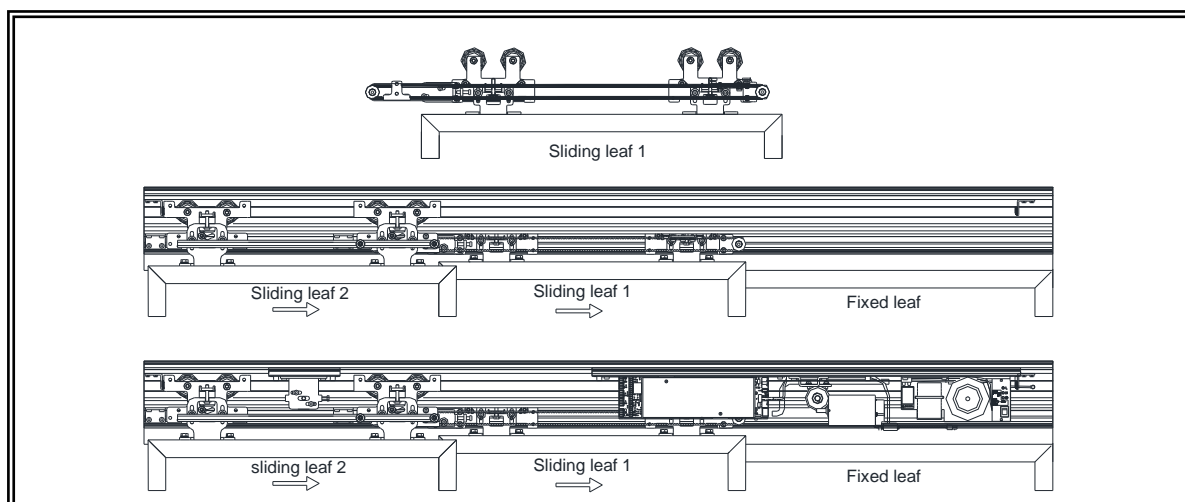


### 7.33 Different types of installation

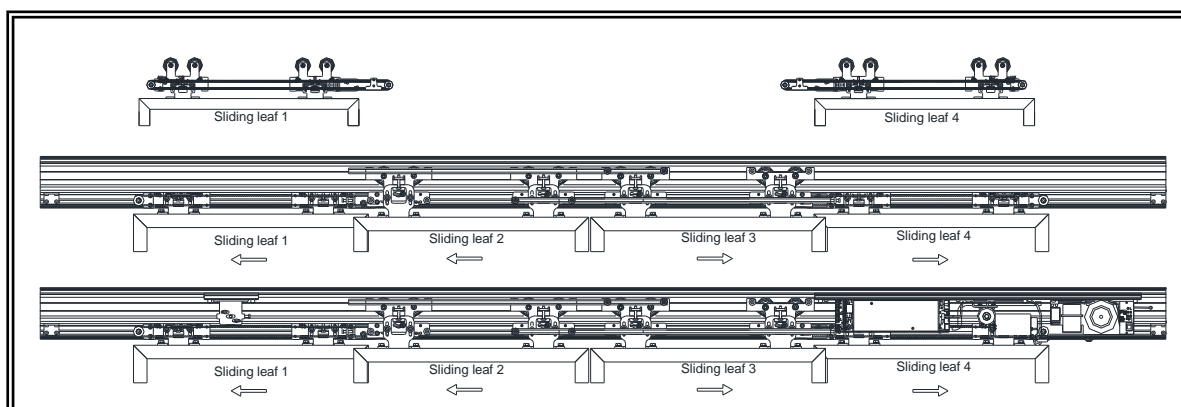
#### *Telescopic System 2+1 Right-opening*



#### *Telescopic System 2+1 Left-opening*

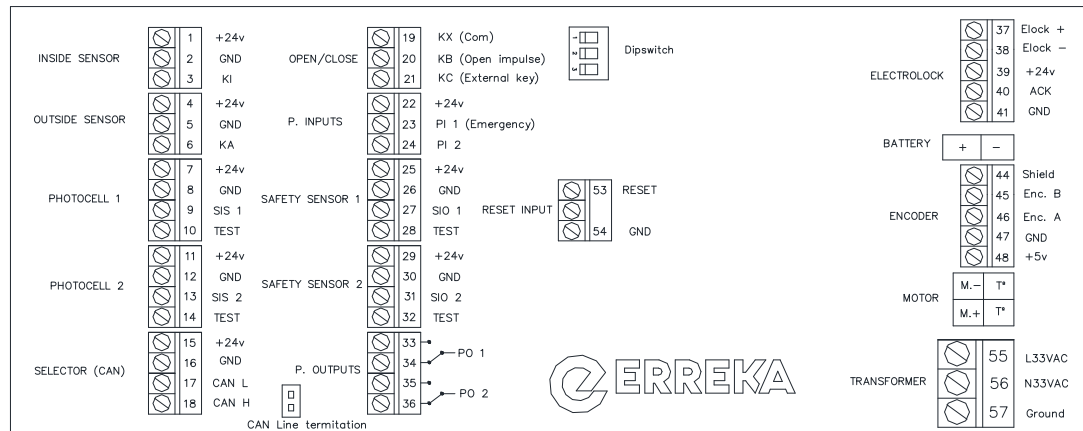


#### *Telescopic System 4+2*



## 8. CONTROL BOARD CONNECTION

### 8.1 Control board terminals



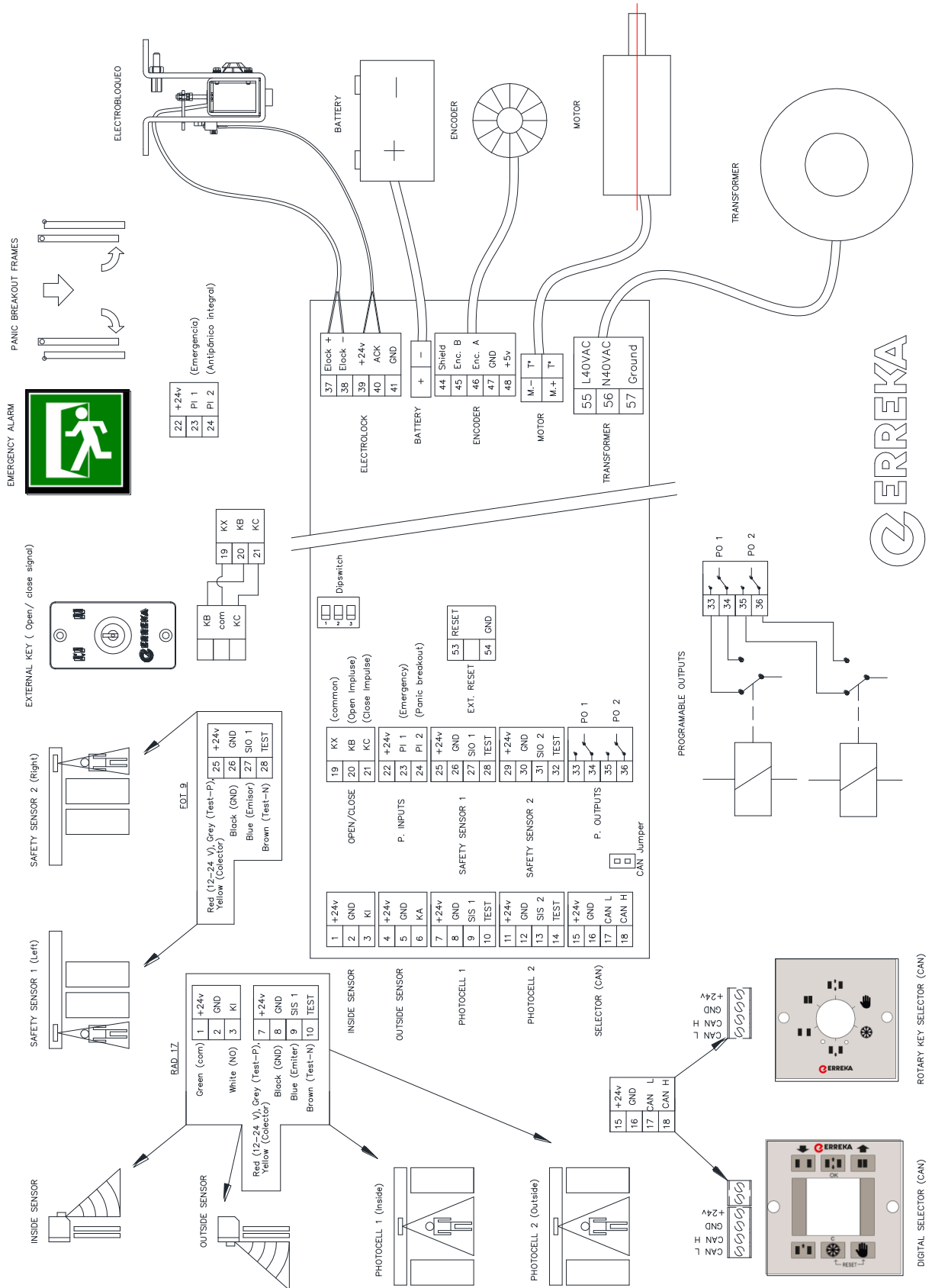
### 8.2 Control board table

TERMINALS	SPECIFICATION
INSIDE SENSOR	Internal sensor input terminal
OUTSIDE SENSOR	External sensor input terminal
PHOTOCELL 1	Photocell 1 input terminal
PHOTOCELL 2	Photocell 2 input terminal
SELECTOR (CAN)	bus CAN input terminal: Digital selector or rotary key selector
OPEN/CLOSE	Open impulse, close impulse input terminal ( External key)
P. INPUTS	Programable input terminal
SAFETY SENSOR 1	Safety sensor 1 input terminal
SAFETY SENSOR 2	Safety sensor 1 input terminal
P. OUTPUTS	Programable output terminal
ELECTROLOCK	Electrolock terminal
BATTERY	Battery terminal
ENCODER	Encoder terminal
MOTOR	Motor supply + temperature sensor terminal
TRANSFORMER	Power supply input terminal
RESET INPUT	External Reset input terminal
DIPSWITCH	Operator adress Dipswitch

FUSES	SPECIFICATION
F1	Fuse : SMD10 A "Littelfuse 0453019.MR" (battery protection)
F2	Fuse: SMD 10 A "Littelfuse 0453019.MR" (Power supply transformer protection)

### 8.3 Components and peripheral standard connection

## ERTAIN 4 / GLOBAL 4 OPERATOR CONTROL BOARD



## Mains connection

For proper commissioning, it's advisable to pass mains wires from the right hand side of the machine.  
The recommended cable is a three wires one with a minimum wire section of 2,5.

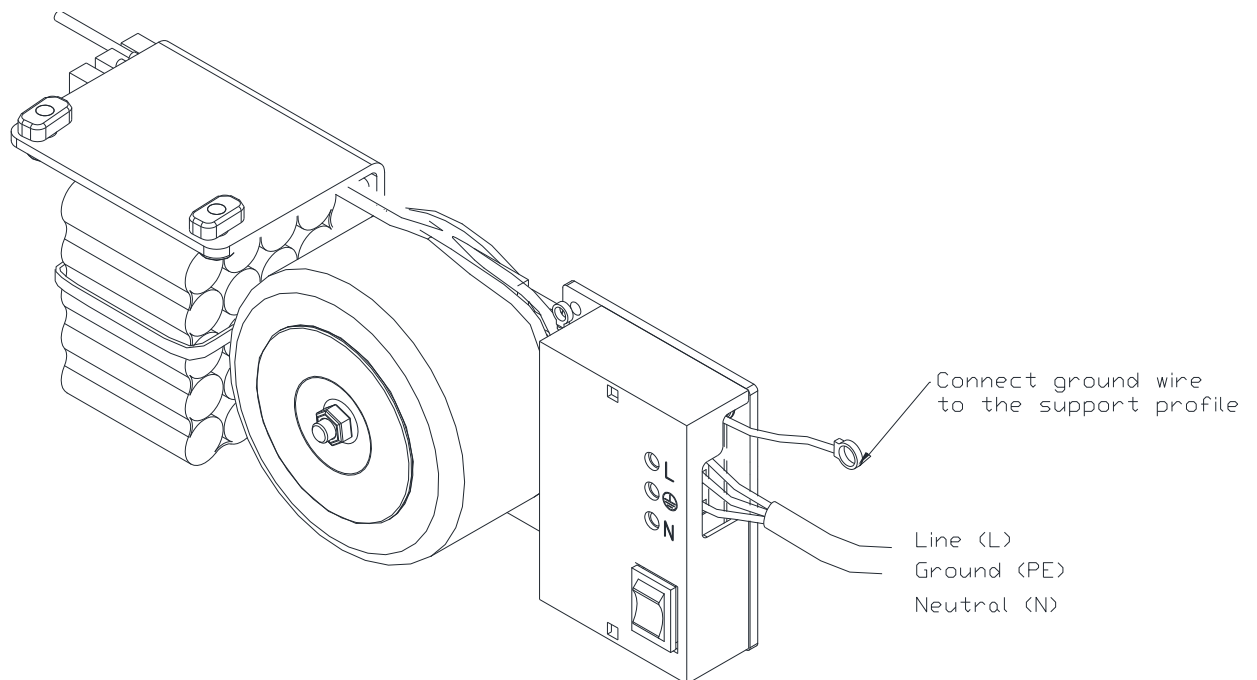
The power supply unit is formed by a transformer, Ni Cd batteries and switchboard unit which has an ON /OFF switch, a network filter and a 2 A protection fuse. To remove the fuse you have to take out the plastic cover.

 **Warning: Ensure to remove the mains before connecting power supply wires.**

Pass the cable over the cable gland and then clip it into the support profile and take it to the power supply unit.

Connect power wires in the following order: Line (L) wire in the upper terminal, neutral (N) wire in the lower terminal and ground wire (PE) in the middle terminal.

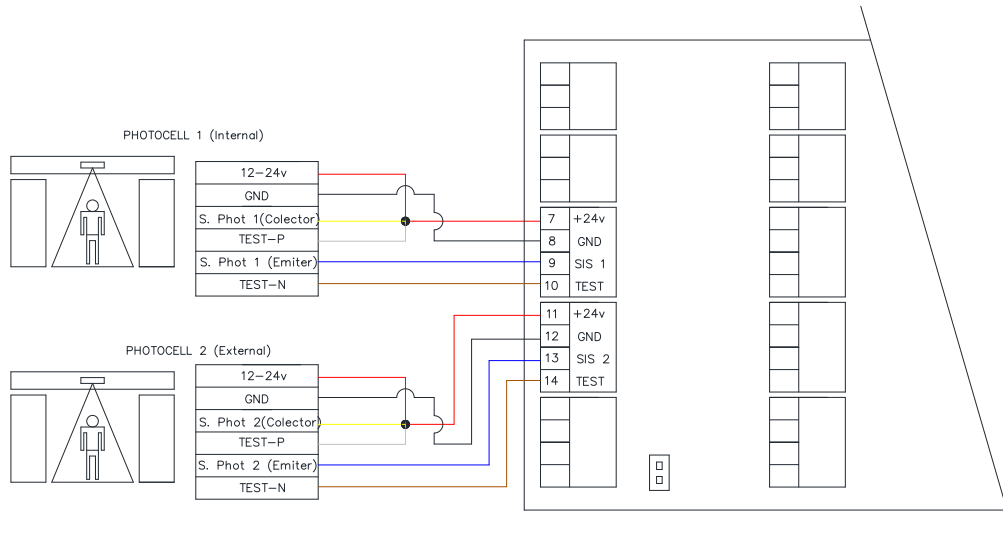
In order to eliminate electrical derivation and static tension, once the power cable is connected, it is advisable it's recommended to connect ground wire to the chassis or support prof



## Photocells

Photocells avoid people from trapping by the leaves in the closing cycle, stopping the door and opening immediately when detects anyone in the closing area. The door remain open while photocells continue detecting any person or obstacle.

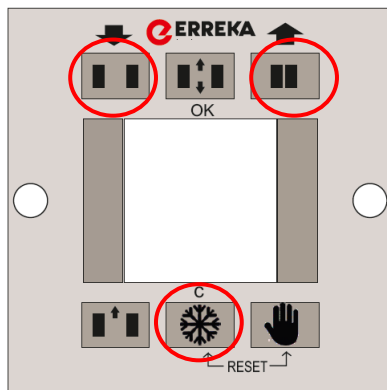
### Connections:



### Photocell setup

The photocells that are installed have a test input to monitor and ensure there are working properly. By default the photocells are configured as "Disabled". Enter configuration in the Setup menu if this input needs to be modified.

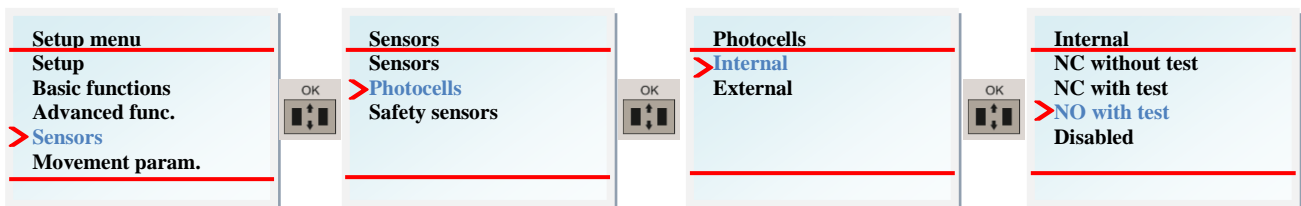
Nevertheless, the operator is able work with photocells that do not have a test setting input. In that case photocells should be set by digital selector "without test".



To get into "Setup menu": Press following 3 buttons during 1 second : Door open, door close and winter.

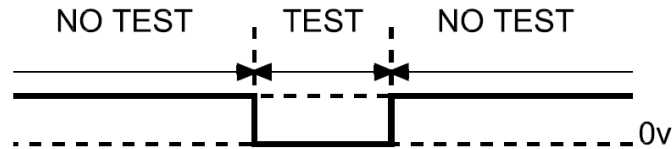


Once inside menu, choose the following set up for photocells:





To comply with the EN16005 standard, adjust the sensor test according to the following diagram:



**Note:** In case of setting up the safety photocell without testing, do not connect the testing wires (+) grey and (-) brown on the board and set the Testing DIP Switch to OFF on the sensor. The connection and configuration without testing does not comply with the EN16005 Standard.

**RAD 17 (Hotron HR 100CT)**

Control board				Sensor set up													
Red (12–24 V), Grey (Test–P), Yellow (Colector)	7	+24v	<table border="1"> <tr><td>8</td><td>GND</td></tr> <tr><td>9</td><td>SIS 1</td></tr> <tr><td>10</td><td>TEST</td></tr> </table>	8	GND	9	SIS 1	10	TEST	Dip Switch X				Dip Switch Y			
	8	GND															
	9	SIS 1															
	10	TEST															
				1	2	3	4	1	2	3	4						
Black (GND)	8	GND	Off		X	X	X	Off	X	X	X	X					
Blue (Emitter)	9	SIS 1	ON	X				ON									
Brown (Test–N)	10	TEST		Dip Switch Z													
				1	2	3	4	5	6								
			Off	X	X	X	X										
			ON					X	X								

**RAD 12 (Hotron SSR-3)**

Control board				Sensor set up												
Red (12–24 V), Grey (Test–P), Yellow (Colector)	7	+24v	<table border="1"> <tr><td>8</td><td>GND</td></tr> <tr><td>9</td><td>SIS 1</td></tr> <tr><td>10</td><td>TEST</td></tr> </table>	8	GND	9	SIS 1	10	TEST	Dip Switch X						
	8	GND														
	9	SIS 1														
	10	TEST														
			1	2	3	4	5	6	7							
Black (GND)	8	GND	Off		X	X	X	X	X	X						
Blue (Emitter)	9	SIS 1	ON	X												
Brown (Test–N)	10	TEST		Dip Switch Y												
				1	2	3	4	5	6							
			Off		X	X	X									
			ON	X				X	X							

**RAD 23 (Hotron 3H-IR14C)**

Control board				Sensor set up													
Red (12–24 V), Grey (Test–P), Yellow (Colector)	7	+24v	<table border="1"> <tr><td>8</td><td>GND</td></tr> <tr><td>9</td><td>SIS 1</td></tr> <tr><td>10</td><td>TEST</td></tr> </table>	8	GND	9	SIS 1	10	TEST	Dip Switch							
	8	GND															
	9	SIS 1															
	10	TEST															
			1	2	3	4	5	6	7	8							
Black (GND)	8	GND	Off			X				X							
Blue (Emisor)	9	SIS 1	ON	X	X		X	X	X	X							
Brown (Test–N)	10	TEST															

**RAD 13 (Hotron 3H-IR14)**

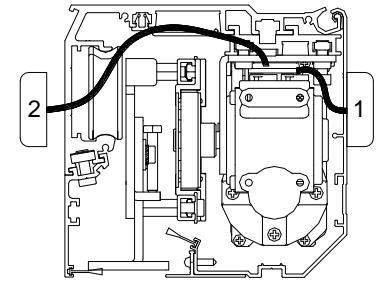
Control board				Sensor set up													
Red (12–24 V), White (com)	7	+24v	<table border="1"> <tr><td>8</td><td>GND</td></tr> <tr><td>9</td><td>SIS 1</td></tr> <tr><td>10</td><td>TEST</td></tr> </table>	8	GND	9	SIS 1	10	TEST	Dip Switch							
	8	GND															
	9	SIS 1															
	10	TEST															
			1	2	3	4	5	6	7	8							
Black (GND)	8	GND	Off			X				X							
Green (Emisor)	9	SIS 1	ON	X	X		X	X	X	X							
	10	TEST															

Warning: sensor set up as NC with test

## Activation sensors

Activation sensors give the signal to open the door when it's closed or closing. Usually they are installed in the center of the operator, one outside above lintel, and the other inside on the cover of the operator.

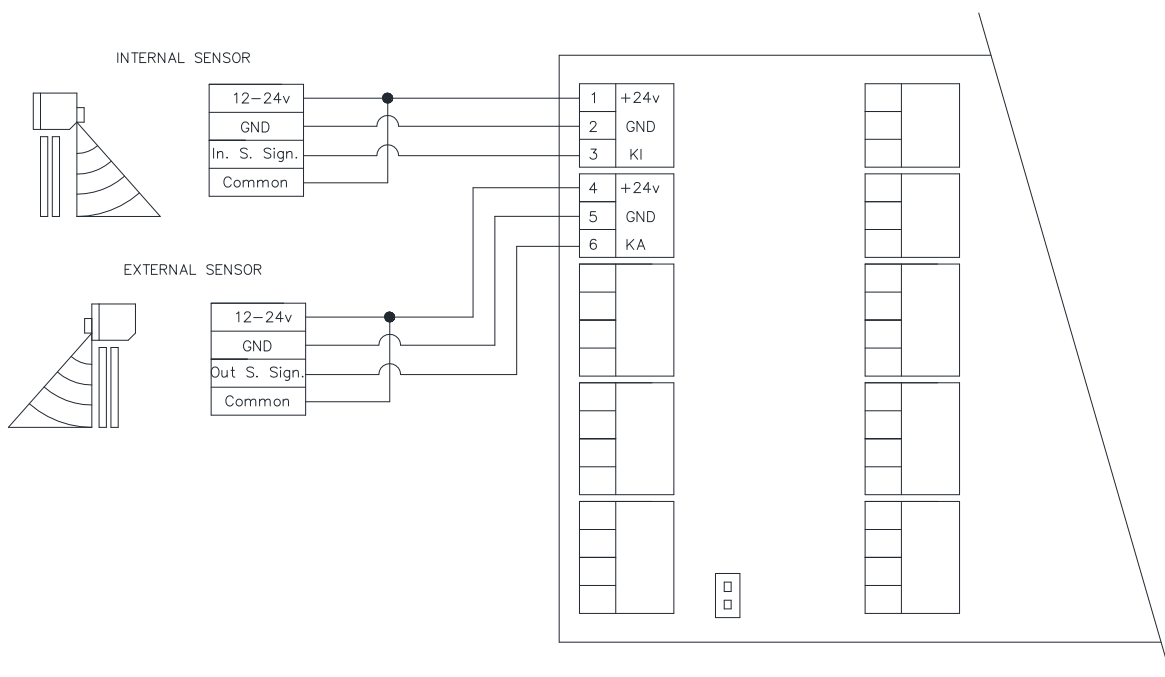
- Connect inside sensor wires to the control board directly
- Connect the external sensor wires directly from the center of the operator or passing them to the edge of the operator from the left hand side.



1.- Inside radar  
2.- Outside radar

- Look at the following diagram to do the wires connections:

### Connections:

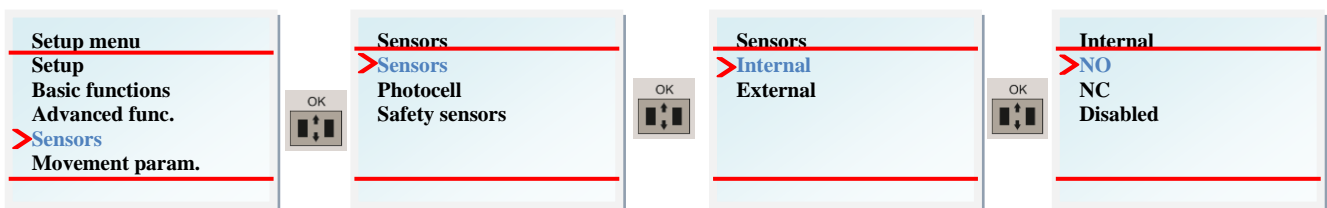


### Sensor set up


To get into "Setup menu": Press following 3 buttons during 1 second : Door open, door close and winter.



Once inside menu, choose the following set up for sensors:



**RAD 17 (Hotron HR 100CT)**

Control board	Sensor set up																					
<table border="1"> <tr> <td>Green (com)</td> <td>1</td> <td>+24v</td> </tr> <tr> <td></td> <td>2</td> <td>GND</td> </tr> <tr> <td>White (NO)</td> <td>3</td> <td>KI</td> </tr> <tr> <td>Red (12-24 V)</td> <td>7</td> <td>+24v</td> </tr> <tr> <td>Black (GND)</td> <td>8</td> <td>GND</td> </tr> <tr> <td></td> <td>9</td> <td>SIS 1</td> </tr> <tr> <td></td> <td>10</td> <td>TEST</td> </tr> </table>	Green (com)	1	+24v		2	GND	White (NO)	3	KI	Red (12-24 V)	7	+24v	Black (GND)	8	GND		9	SIS 1		10	TEST	<p><u>Dip switch Y</u></p> <p>Activation Output NO </p> <p>2</p>
Green (com)	1	+24v																				
	2	GND																				
White (NO)	3	KI																				
Red (12-24 V)	7	+24v																				
Black (GND)	8	GND																				
	9	SIS 1																				
	10	TEST																				


**RAD 23 ( Hotron 3H-IR14C)**

Control board	Sensor set up																					
<table border="1"> <tr> <td>Green (com)</td> <td>1</td> <td>+24v</td> </tr> <tr> <td></td> <td>2</td> <td>GND</td> </tr> <tr> <td>White (NO)</td> <td>3</td> <td>KI</td> </tr> <tr> <td>Red (12-24 V)</td> <td>7</td> <td>+24v</td> </tr> <tr> <td>Black (GND)</td> <td>8</td> <td>GND</td> </tr> <tr> <td></td> <td>9</td> <td>SIS 1</td> </tr> <tr> <td></td> <td>10</td> <td>TEST</td> </tr> </table>	Green (com)	1	+24v		2	GND	White (NO)	3	KI	Red (12-24 V)	7	+24v	Black (GND)	8	GND		9	SIS 1		10	TEST	
Green (com)	1	+24v																				
	2	GND																				
White (NO)	3	KI																				
Red (12-24 V)	7	+24v																				
Black (GND)	8	GND																				
	9	SIS 1																				
	10	TEST																				


**RAD 13 ( Hotron 3H-IR14)**

Control board	Sensor set up									
<table border="1"> <tr> <td>Red (12-24V), White (com)</td> <td>1</td> <td>+24v</td> </tr> <tr> <td>Black (GND)</td> <td>2</td> <td>GND</td> </tr> <tr> <td>Yellow (NO)</td> <td>3</td> <td>KI</td> </tr> </table>	Red (12-24V), White (com)	1	+24v	Black (GND)	2	GND	Yellow (NO)	3	KI	
Red (12-24V), White (com)	1	+24v								
Black (GND)	2	GND								
Yellow (NO)	3	KI								

**RAD 9 ( Hotron HR- 50)**

Control board	Sensor set up									
<table border="1"> <tr> <td>Grey (12-24V), Yellow (signal)</td> <td>1</td> <td>+24v</td> </tr> <tr> <td>Grey (12-24 V)</td> <td>2</td> <td>GND</td> </tr> <tr> <td>Yellow (signal)</td> <td>3</td> <td>KI</td> </tr> </table>	Grey (12-24V), Yellow (signal)	1	+24v	Grey (12-24 V)	2	GND	Yellow (signal)	3	KI	<p><u>Dip switch</u></p> <p>Activation Output NO </p>
Grey (12-24V), Yellow (signal)	1	+24v								
Grey (12-24 V)	2	GND								
Yellow (signal)	3	KI								

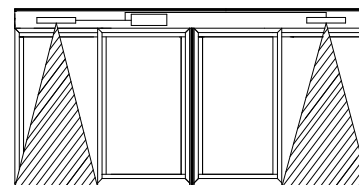
**RAD 8 ( BEA Seagle two)**

Control board	Sensor set up									
<table border="1"> <tr> <td>Brown (12-24V), White (com)</td> <td>1</td> <td>+24v</td> </tr> <tr> <td>Green (12-24 V)</td> <td>2</td> <td>GND</td> </tr> <tr> <td>Yellow (signal)</td> <td>3</td> <td>KI</td> </tr> </table>	Brown (12-24V), White (com)	1	+24v	Green (12-24 V)	2	GND	Yellow (signal)	3	KI	<p><u>Dip switch</u></p> <p>Activation Output NO </p>
Brown (12-24V), White (com)	1	+24v								
Green (12-24 V)	2	GND								
Yellow (signal)	3	KI								

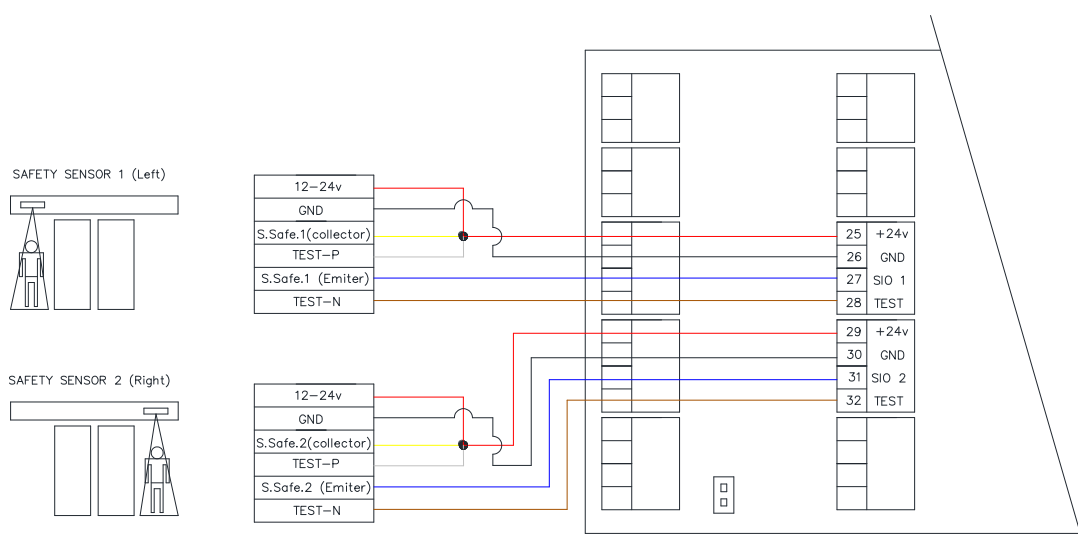
## Safety sensor

This devices are installed in front of the fixed leaves and avoid trapment in the opening movement. When detect any person or obstacle, slow down the opening speed until the maximum opening position.

**Caution:** the door will always open at slow speed if an object is placed in the sensors' detection area.



### Connections



### Safety sensor set up

Safety sensors that could be installed should have test input in order to monitorize them and to know their proper functioning. By default the side safety sensors will be configured as "Disabled". Enter configuration in the Setup menu if this input needs to be modified.

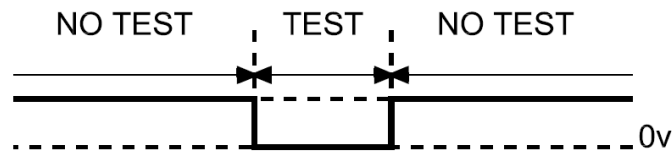
To get into "Setup menu": Press following 3 buttons during 1 second : Door open, door close and winter.



Once inside the menu, choose the following configuration for sensors 1 and 2:



☞ To comply with the EN16005 standard, adjust the sensor test according to the following diagram:



☞ **Note:** In case of setting up the safety photocell without testing, do not connect the testing wires (+) grey and (-) brown on the board and set the Testing DIP Switch to OFF on the sensor. The connection and configuration without testing does not comply with the EN16005 Standard.

- **RAD 23 (Hotron 3H-IR14C)**

Control board			Safet sensor set up								
Red (12–24 V), Grey (Test–P), Yellow (Collector)	25	+24v	<b>Dip Switch</b>								
Black (GND)	26	GND		1	2	3	4	5	6	7	8
Blue (Emitter)	27	SIO 1	Off			X					X
Brown (Test–N)	28	TEST	ON	X	X		X	X	X	X	

**Electrolock**

There are two types of electrolocks:

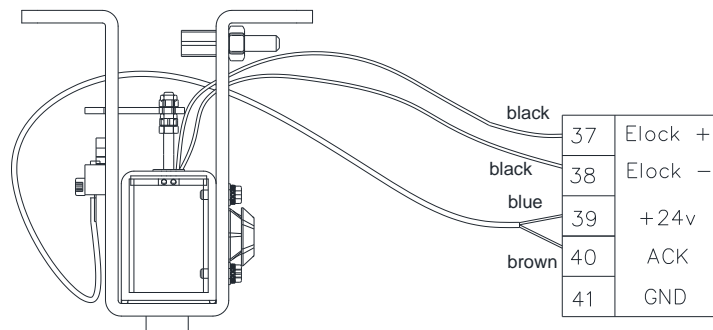
- ☞ “Failsecure”, in case o any fail it locks the door.
- ☞ “Failsafe”, in case of any fail it releases the doors.

Therefore, depending the use or commisioning features, it’s advisable one or the other:

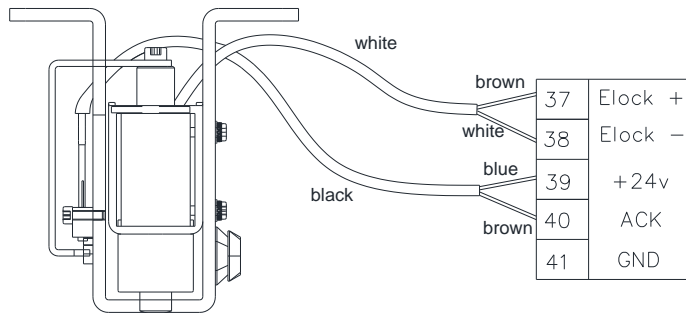
- ☞ In case of door in emergency escape routes: “Failsafe” electrolock.
- ☞ In case of doors that need security: “Failsecure” electrolock

**Connections**

*Failsecure electrolock*



### Failsafe electrolock



Installing the manual release is recommended when the failsecure electrolock is installed. The latch can therefore be unlocked manually in the event of no power or battery, or a fault in the machine. Installing a lock release on the outside of the door is recommended if there is no other entrance to the premises, in order to unlock the door if necessary.

**⚠ Caution:** before starting up the operator, the failsecure electrolock must be kept unlocked (manual release handle) when installing and until configured.

### Electrolock set up

To get into "Setup menu": Press following 3 buttons during 1 second : Door open, door close and winter.



Once inside menu, choose the following set up for electrolock depending the chosen option:

<b>Setup menu</b> Setup > Basic functions Advanced func. Sensors Movement param.	OK	<b>Basic functions</b> Type of door Motor type Motor turn sense > Electrolock Elastic opening	OK	<b>Electrolock</b> > Type Test Opening Delay Strength In Delay	OK	<b>Type</b> Failsafe > Failsecure Bistable Disabled
<b>Setup menu</b> Setup > Basic functions Advanced func. Sensors Movement param.	OK	<b>Basic functions</b> Type of door Motor type Motor turn sense > Electrolock Elastic opening	OK	<b>Electrolock</b> > Test Opening Delay Strength In Delay	OK	<b>Test</b> > Enabled Disabled
<b>Setup menu</b> Setup > Basic functions Advanced func. Sensors Movement param.	OK	<b>Basic functions</b> Type of door Motor type Motor turn sense > Electrolock Elastic opening	OK	<b>Electrolock</b> Type Test > Opening Delay Strength In Delay	OK	<b>Opening Delay</b> 100 0 10000 mseg
<b>Setup menu</b> Setup > Basic functions Advanced func. Sensors Movement param.	OK	<b>Basic functions</b> Type of door Motor type Motor turn sense > Electrolock Elastic opening	OK	<b>Electrolock</b> Type Test Opening Delay > Strength In Delay	OK	<b>Strength In Delay</b> 0 0 5

## Digital selector

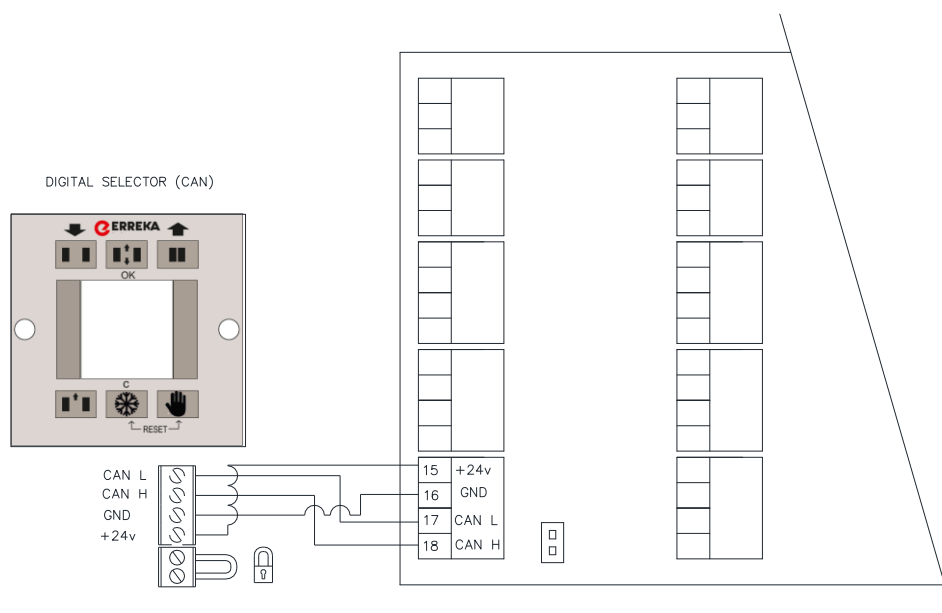
**Warning! The digital selector is essential for commissioning.**

The digital selector is the communication device between the user and the control board, which can be used to carry out the following actions:

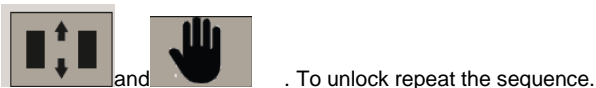
- 1.- select the door's working modes.
- 2.- Set up different function parameters
- 3.- Activation and deactivation configuration options
- 4.- Troubleshooting and warning codes

The digital selector has 6 buttons to select and adjust options and a display to show we can see and adjust the different options of the operator. The display is usually in energy saving mode with low light until any button is pushed, at which point the display will fully light up and any parameters and configuration are displayed.

When the door is working, the display will show the working mode that is activated at that time.



- To lock the digital selector (so that no one can change the mode): push following buttons at the same time:



-There is also another option for locking the digital selector that no unauthorized person can use it. There is a lock input in the selector inputs where a key can be connected. If the input is locked settings are inaccessible.



The settings and configuration with the digital selector are explained in the chapter 10.

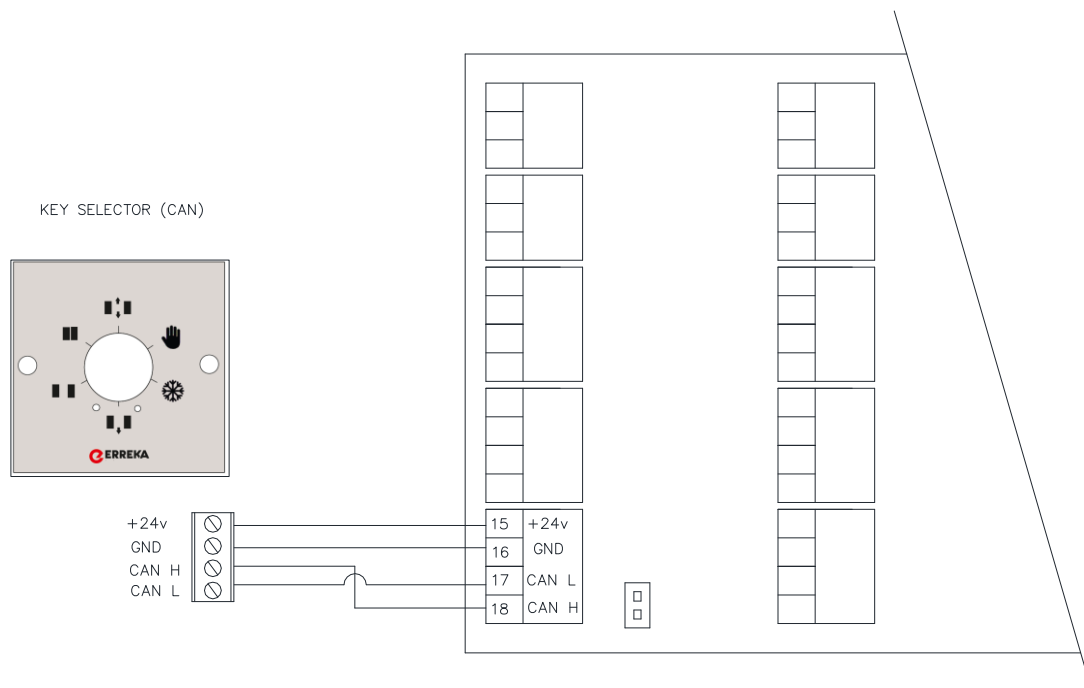
## Rotary key selector

Like the digital selector, the rotary key selector is an interface for communication with the control board, but has more limited functions. This device cannot be used to configure the mechanism. These are the functions that it can be used for:

1.- Selecting the different working modes ( there are 6 modes)

2.- Troubleshooting (no difference between warning codes). A warning is only signalled with an LED. A digital selector must be connected in order to see the specific message. A one-second flash shows that the operator is working properly, while fast flashing shows that there is a warning.

The rotary key selector has a 6 position switch with the following working modes: automatic, door open, door close, winter, exit and manual mode. It has also a reset button ( the button can be used to “ set up” the system if held for 5 seconds and to do a “reset” if held 1 second) .





## Open impulse / close impulse (external key)

These two inputs enable to open and close the door apart from the usual working modes from the selector. Inputs are impulsive and have priority over working modes and other inputs. KB input enables the door opening and KC input door closing.

There are different devices that we can connect to these inputs. One of the more usual is the external key. The external key has two positions. One to connect to KB to open the door and the other to connect to KC to close the door. In the same way, we can connect other devices as card readers, transponders, access controls...

The function or behaviour of each input is :

### Open impulse (KB)

Each pulse of KB generate an opening cycle. If it star from closing position, opens the door and after one second in open position it closes. Beside that, the operator pass to the working mode that define the selector ( digital or key one). Even if we are activating KC it does the opening cycle.

In case of network power failure, every activation of KB opens the door with battery.

### Close impulse (KC)

This input enables to close the door but the function is not same as "door close" working mode. It is a more secure closing , as a "night mode", because it disables the use of digital selector. So only the owner of the key can open the door or enable the use of selector. The "night mode" it is displayed as a "close mode" with a Key icon.

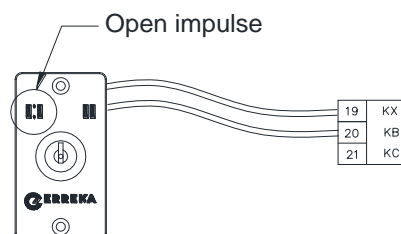
Each pulse of KC run the door to close position from any working mode. To exit from "nigt mode" the only way is to activate KB input.

In case of network power failure, every pulse from KC run door to close position with batteries.

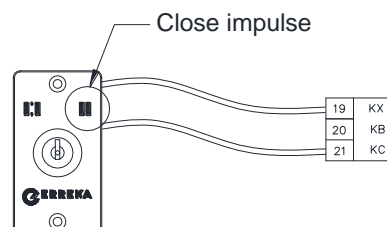
### Connection:




**Open impluse (KB)**



**Close impulse ( KC)**



 **Warning!** It is not recommended to connect any charge to KX ( com) input. It is not possible to supply any device in this input.

## **Battery-operated opening system**

### **Description**

The operator has NiCd batteries, which generate 24V voltage and have 800 mAh capacity.

There are three operating modes related to the battery system, configurable from the digital selector when setting up the operator: emergency, autonomous and no-battery.

### **Emergency operating mode (EN 16005)**

In this mode, the battery system's function is basically to open the door and keep it in this position (door open) when the mains power fails. It will remain open for as long as there is no mains power in all operating modes except door closed and manual modes. In door closed mode, the door will remain closed even if the power fails. The door will not move in manual mode as the motor is de-energised.

In those modes in which the battery system takes the door to open position in the event of a power failure, the door will switch to manual mode once open, in which case it can be closed at any time by switching to door closed mode from the functions selector or with an external close signal (KC).

The digital selector will show warning code 17 for as long as the door has no power.

Warning code 17 will disappear as soon as the operator is powered by the mains again, returning to the previous working mode.

The operator switches to energy-saving mode if mains power is absent for over one hour, turning off all door and operator peripherals. The operator will come on again if the mains power is restored or there is an opening (KB) or closing (KC) pulse. In the first case it will return to normal operation, while in the second case the required operation will be performed (open or close the door).



**Caution:** load cannot be connected to the KX input (com). Peripherals cannot be used in this input.



**Caution:** the operator will display warning codes 21 and 22 respectively on the selector's screen if the batteries are disconnected or damaged. The presence or status of the battery must be checked at the start and at regular intervals.

### **Autonomous operating mode**

In this mode, the battery system's function is for the door to continue to operate in the same way in the absence of mains power. The operator will continue in the same working mode as before, although the opening and closing operations will be slower by default than when powered; these speeds can be configured via the digital selector. The selector will also show warning code 17 whenever there is no mains power.

The door will switch to open or closed position in accordance with the current working mode whenever the battery level drops below a threshold value, and switch to energy-saving mode by turning off all the system's peripherals after 10 minutes on standby. The operator will come on again as soon as the mains power is restored, or if the door is operated by the KB or KC signals. In the first case it will return to normal operation, while in the second case the required operation will be performed (open or close the door).

The limit value is calculated to guarantee a minimum of 100 complete operations during a maximum of 12 hours in doors close to the size and weight limit under optimal battery conditions, and always to guarantee that an opening or closing operation can be carried out whenever this value is exceeded by the KB and/or KC signals.

**⚠ Caution:** batteries are required in this operating mode. The system will display warning codes 21 and 22 respectively whenever no batteries are connected or they are flat.

**⚠ Caution:** this battery system operating mode does not comply with EN 16005.

**No-battery operating mode**

In this operating mode, the operator can run without a battery system connected to the electronic panel. The operator will switch off directly whenever there is no power, and switch on when the mains supply is restored, returning to the previous working mode.

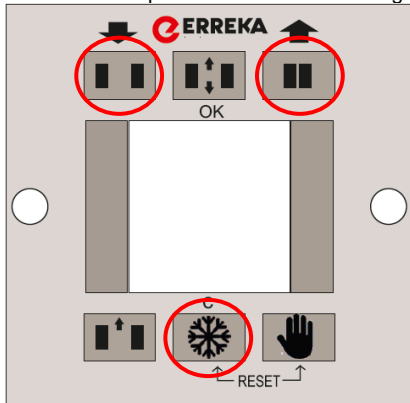
If batteries are connected, they will not be charged and their presence will not affect the previously described behaviour. In this operating mode, the absence of batteries or the fact they are flat will not produce warning codes 21 and 22, since there is no monitoring of the battery system's voltage and current.

**⚠ Caution:** this battery system operating mode does not comply with EN 16005.

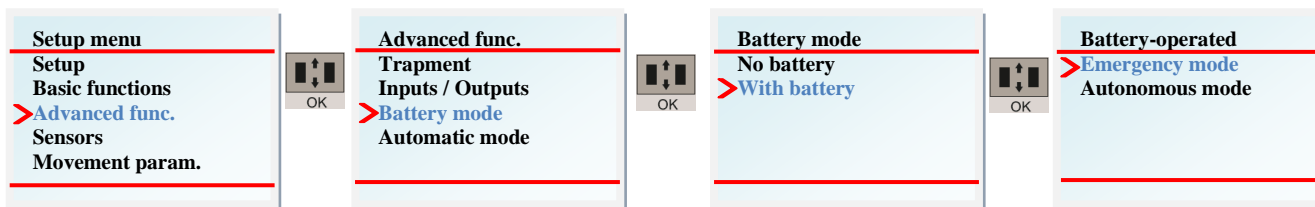
**Battery mode configuration**

The operator's default operating mode for the battery system is emergency mode, which complies with EN16005. Please follow the steps below if you wish to change the operating mode.

Enter the "Setup" menu: hold the following 3 keys down for 3 seconds: door open, door closed and winter.



Once inside the menu, choose the following configuration for the battery system's operating mode:



Once the operating mode is selected, the selector will show the chosen battery system's operating mode in the middle of the status line:

Emergency operating mode (EN 16005):

Autonomous operating mode:

No-battery operating mode:

## Automatic Mode

### Description

There are two operating modes related to the Automatic work mode, which can be configured from the digital selector when setting up the operator: Normal and Semi-automatic.

### Normal Operating Mode

This is the most common way of working. It allows transit in both directions.

OPENING: starts by enabling the key device (activation sensor, transmitter, etc).

STANDBY: the door remains open for a programmed time (configurable).

CLOSING: the closing operation starts automatically once standby time is finished.

### Semi-automatic operating mode

OPENING: starts by enabling the key device (activation sensor, transmitter, etc).

STANDBY: the door remains open.

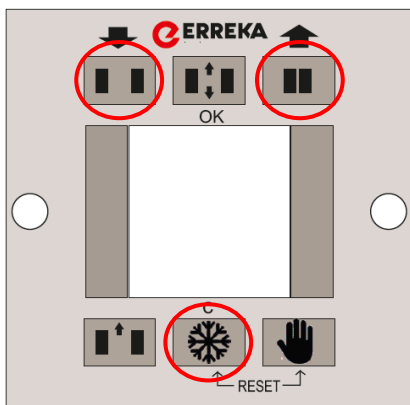
CLOSING: the door closes automatically when the key device is enabled again.

**Use KI/KA inputs ONLY for Semiautomatic mode**

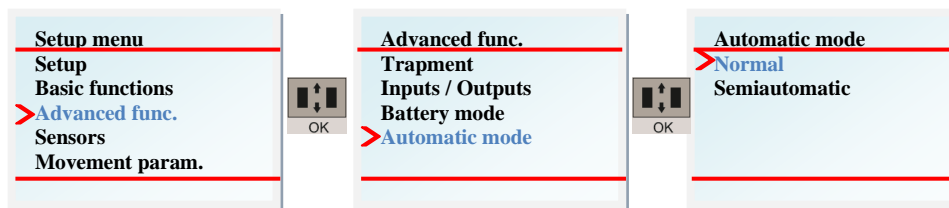
### Setting up automatic mode

Please follow the steps below if you wish to change the operating mode.

Enter the "SAT" menu: hold the following 3 keys down for 3 seconds: door open, door closed and winter.



Once inside the menu, choose the following desired setting for the operating mode of the automatic mode:



## Programable inputs PI1 and PI 2

The following programmable inputs PI 1 and PI 2 can be configured from the selector:

- NC Continuous Emergency
- NO Continuous Emergency
- NC Impulse Emergency
- NO Impulse Emergency
- NC Panic breakout
- NO Panic breakout
- Disabled

### **PI 1: Emergency/ anti-fire**

One of the inputs can be configured to be used as an input for the emergency or fire alarm. Every pulse of this input runs the door to open position. This is disabled by default. If required it can be programmed as pulse signal an NC (normally closed).

### **PI 2: Panic breakout**

One of the inputs can be configured to be used as an input with comprehensive anti-panic profiling. The magnetic contact of the profile has to be connected to this input. When the magnetic contact is opened the door will go to the open position and remain open until the signal of the magnetic contact changes. This is disabled by default. Activation can be modified if required (NO or NC).

## Programable outputs PO1 y PO 2

The following programmable outputs can be configured from the selector:

- NC Closed door
- NO Closed door
- NC Warning
- NO Warning
- Disabled

### **PO 1: Warning Sign**

One of the outputs can be configured to provide a signal or relay contact closure whenever a warning appears on the operator. It's possible to connect this input to any device to control the door remotely.

### **PO 2: Closed Door Sign**

One of the outputs can be set up to provide a signal or relay contact closure when the door is closed. It's a suitable output to connect a buzzer or any sound signal to know the door is opening.

## External Reset input

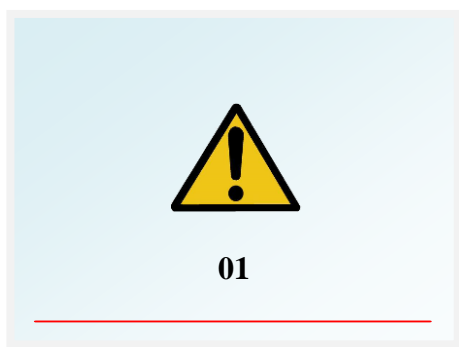
External Reset input ( 53 and 54 terminals) can be used to perform reset function in case of there is not any selector installed.




It is possible to instal a push button or any other switch to the input in order to develop the reset maneuver.


## 9. SETUP

Once the operator is installed, the power supply running and all sensors, function digital selector and devices connected ( as indicated in chapter 7.3), follow the next steps to run the set up:

- 1.- Connect the batteries to the panel and turn on the start switch on the power supply subassembly plate on the right of the operator.
- 2.- Ensure the door starts a closing manoeuver in slow motion. At the same time, the digital selector will switch on and after some seconds with "ERREKA" icon in the display, it will change to show the "reset" icon. Reset manoeuver is an complete open and close cycle in slow motion. The automatic opener must carry out a closing, full opening and closing operation.
- 3.- Once the initialisation operation is complete, the switch will show warning code 01, indicating that the door needs to be configured.

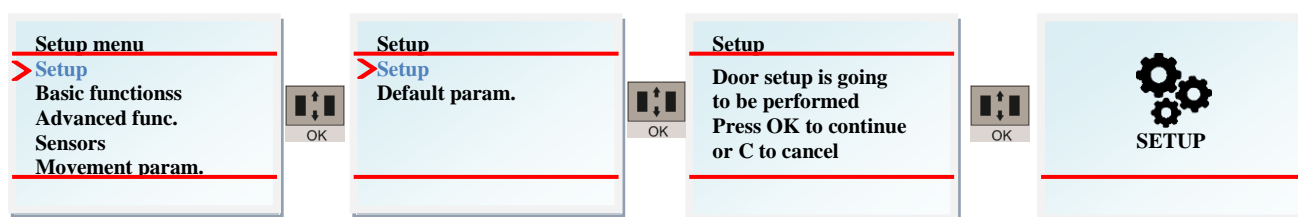



- 4.- To run "set up" we have to push ,  ,  and  buttons together during one second to enter into "Setup menu".

- 5.- Once inside the menu, activate the Setup operation by pressing three times  .

6.- The operator will start a opening and closing cycle at slow motion and the other opening and closing cycle at normal speed to calculate door weight. The display will show " set up" icon. In the "set up" the operator can initiate all parameters, door weight and opening point.

7.- After "set up",operator run to "automatic" mode. The display will show " automatic" icon. Once "set up" finished it's possible to adjust any parameter or configure any option of the door.



 **Caution:** if the switch shows warning codes 02 and/or 21 on screen, the door cannot be set up until these warning codes have been removed.

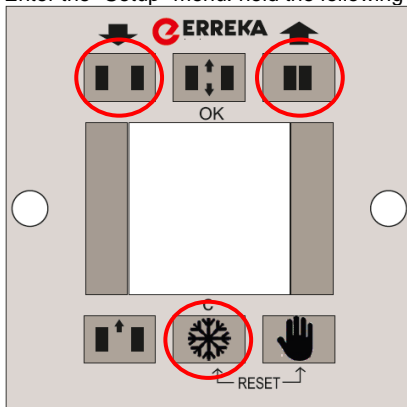
## Motor turning direction

The operator can be used to install the arms that join the moving leaves to the belt, such that they can open in both motor turning directions (clockwise and anti-clockwise direction in opening).

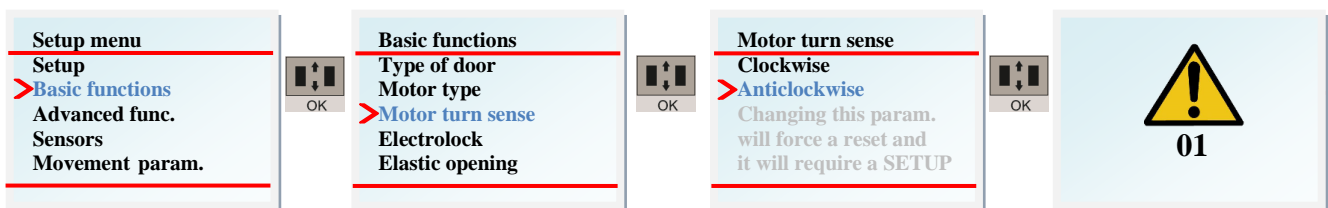
Since the default option is clockwise direction, the door will open and close correctly once the operator has been commissioned, provided the arms have been installed according to the instructions manual. If the arms are installed contrary to the instructions in the manual, the door will work in reverse order after commissioning the operator: it will close when an activation is detected, and stay open if nothing is detected.

Turning direction can therefore be changed using the digital selector. The steps to follow are:

Enter the "Setup" menu: hold the following 3 keys down for 3 seconds: door open, door closed and winter.



Once inside the menu, go to the option for changing motor turning direction and confirm the chosen option:



The operator will reset and remain in closed position, showing warning code 01 in the digital selector, meaning a setup operation must be carried out. All parameters referring to previously modified peripherals will keep their value



## 9.1 Working modes

These are the different type of operation or states the door can work. There 6 different working modes that can be selected by digitak or key selector:

### 1.- Door open



The door opens and remains open in the maximum opening position.

### 2.- Door closed



The door closes and stay closed. The door remain in close position even if sensor are activated. If electrolock is instaled the door is closed and locked so that no one may enter.

### 3.- Automatic ( two way)



This is the most common way of working. This mode allows traffic in both directions, so that all the detection devices are enabled. The door remains closed until one of the devices is not activated. If any of these activates the door, it opens and after a hold-open time (adjustable) it is closed again until further detection.

### 4.- Exit (one way automatic)



Transit is only allowed in outgoing direction, disabling all outside activation sensor activity. If an electrolock is installed, it will lock the door while in closed position.

### 5.- Winter mode ( partial automatic)



It has the same functioning as in "automatic" mode but with a reduced or partial opening distance. This opening distance can be adjusted by digital selector. By default is 70% of the maximum opening distance.

Winter mode functioning is different with digital selector or key selector. With digital selector when we push "winter mode" it will work in partial opening in these working modes : "automatic, "exit" and "door open".

With key selector "winter mode" only works in automatic.

### 6.- Manual mode



In manual mode, the door stop and release the motor. Thanks to that, the door can be esaily moved manually and leave in the position you need. It's very usefull if it is instaled a manual lock, so that the leaves can be moved easily.

When you change to other working mode, the door goes to close position in slow motion and the change the mode.

## 10. PARAMETER ADJUSTING FROM SELECTOR

You can access the adjustments from any mode of work.

There are 2 menu levels :



:


1.- **User menu.** Push at the same time  and  during one second.

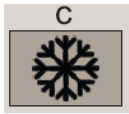
2.- **Setup menu.** Push at the same time ,  and  during one second.



Once inside menu, to choose the parameter to set push "down" or "up" buttons:

Una vez en el menú, para elegir el parámetro a ajustar se debe ir abajo o arriba en el menú con las teclas:



To go down  and to go up 

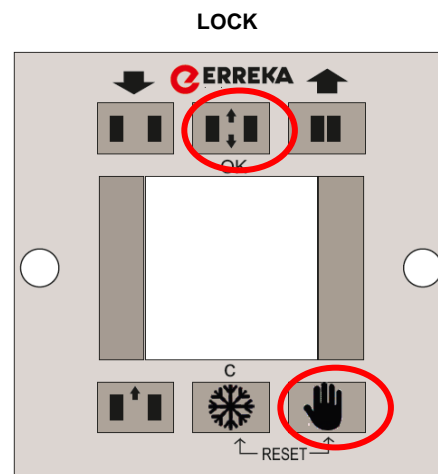
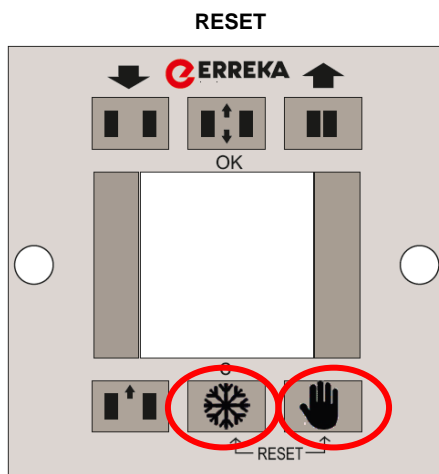
- To accept , choose or go forward in menu 

- To cancel or go back in the submenus 

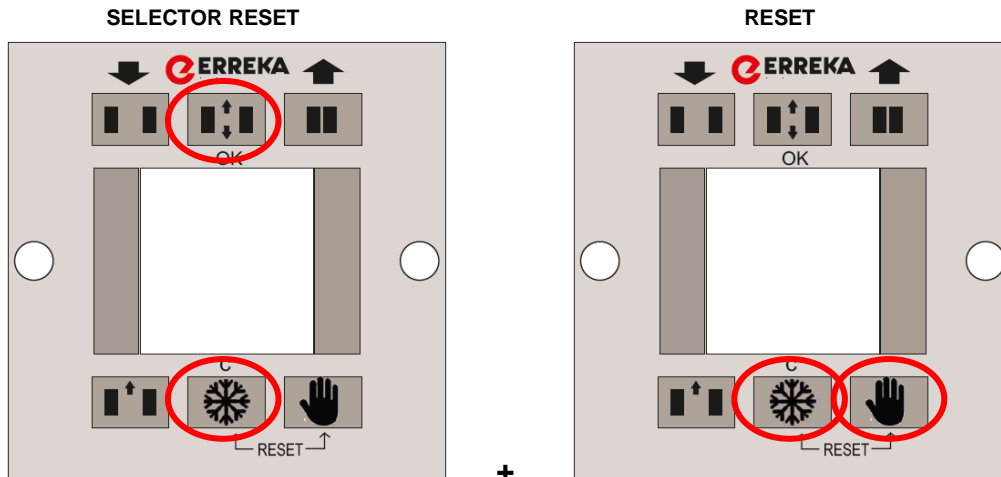
To do a "reset" push at the same time these 2 buttons:  and 

- To lock the digital selector ( so that nobody could change any mode): push at the same time these two buttons:

 y  . To unlock repeat the sequence.

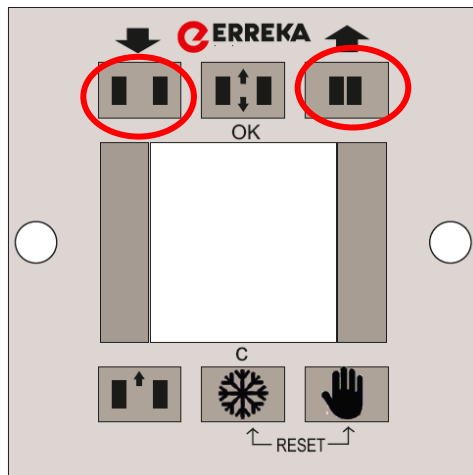


If in any time the communication between operat and digital selector is missed, it is necessary to run a selector reset to recover the communication. After few seconds, the communication will be recovered.



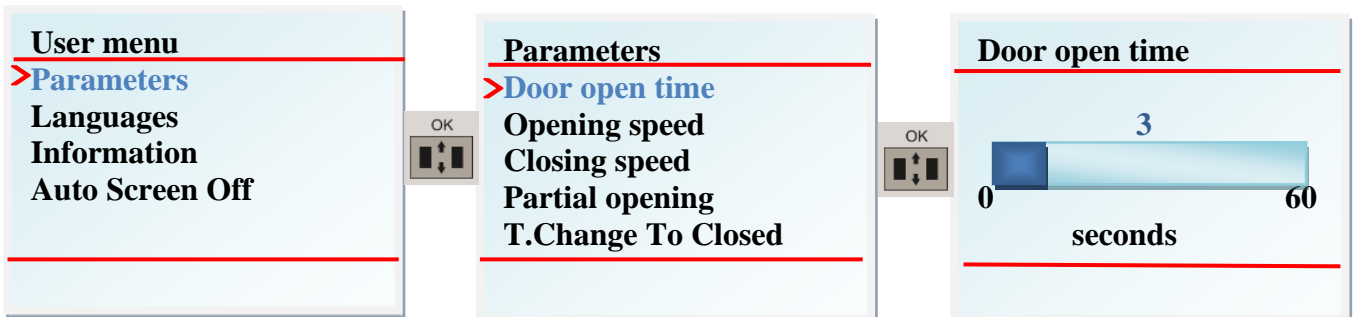
Within 30 sec. The communication will be recovered.

### 1.- USER LEVEL



Push at the same time and during one second.

In the display we will see the following menu:

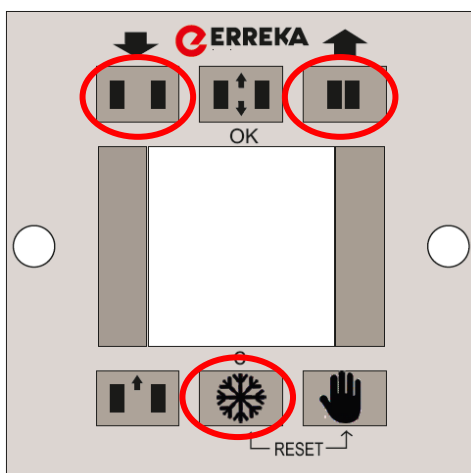


To rise or down the value push, or an finally o confirm.

This is the list of parameters that can be set from **User menu**:

<b>1.1 Parameters</b>		
	<b>1.1.1 Door open time</b>	(0 a 20 sec)
	<b>1.1.2 Opening speed</b>	(+/- 10 % technical menu values)
	<b>1.1.3 Closing speed</b>	(+/- 10 % technical menu values)
	<b>1.1.4 partial opening</b>	(winter opening position from 0 to max opening mm)
	<b>1.1.5 T.Change To Closed</b>	<i>Delay time to switch to Closed mode (0 to 300 sec..)</i>
<b>1.2 Languages</b>		
	<b>1.2.1 Spanish</b>	
	<b>1.2.2 English</b>	
	<b>1.2.3 French</b>	
	<b>1.2.4 Dutch</b>	
	<b>1.2.5 Portuguese</b>	
	<b>1.2.6 Basque</b>	
	<b>1.2.7 Polish</b>	
<b>1.3 Information</b>		
	<b>1.3.1 General</b>	
		<b>1.3.1.1 Commision. date</b>
		<b>1.3.1.2 Operator type</b>
		<b>1.3.1.3 Serial number</b>
		<b>1.3.1.4 Last maintenance date</b>
	<b>1.3.2 Machine</b>	
		<b>1.3.2.1 Number of cycles</b>
		<b>1.3.2.2 Funct. time</b>
		<b>1.3.2.3 Cycles last mainten.</b>
		<b>1.3.2.4 Last warning code</b>
<b>1.4 Auto Screen Off</b>		
	<b>1.4.1 Disabled</b>	
	<b>1.4.2 Enabled</b>	

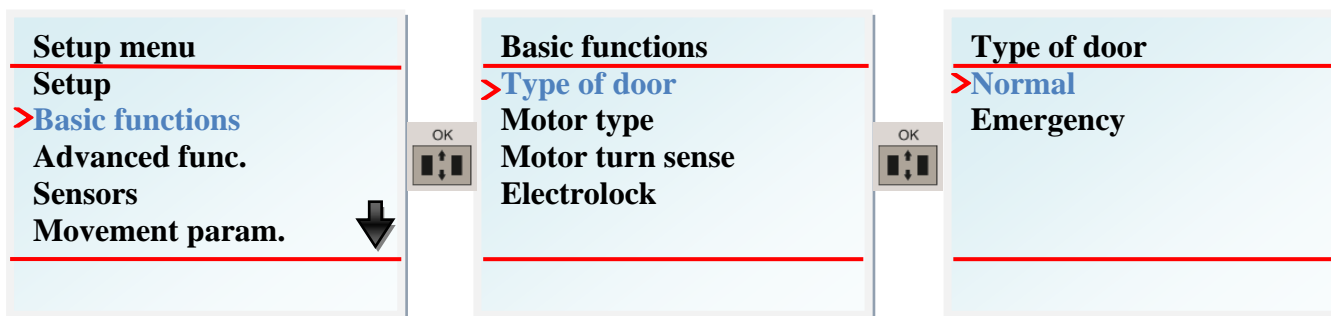
## 2.- SETUP MENU



To enter in Setup menu push at the same time  ,  and  buttons during one second.

It's a programation level allowed or Technical service. It's necessary to have technical knowledge to adjust the proper parameters.

In the display we will see the following menu:



This is the list of parameters that can be set from **Setup menu**:

<b>2.1 Setup</b>			
	<b>2.1.1 Setup</b>	To set the door for first initial settings	It does a reset (open and close slowly) and the 1 cycle of open and close at normal speed
	<b>2.1.2 Default param.</b>	To erase the settings to return factory settings.	It does a reset (open and close slowly)
<b>2.2 Basic functions</b>			
	<b>2.2.1 Type of door</b>		
		<b>2.2.1.1 Normal</b>	
		<b>2.2.1.2 Emergency</b>	
			<b>2.2.1.2.1 Elastic</b>
	<b>2.2.2 Motor type</b>		
		<b>2.2.2.1 Ertain</b>	
		<b>2.2.2.2 Global</b>	
	<b>2.2.3 Motor turn sense</b>		
		<b>2.2.3.1 Clockwise</b>	
		<b>2.2.3.2 Anticlockwise</b>	
	<b>2.2.4 Electrolock</b>		
		<b>2.2.4.1 Type</b>	
			<b>2.2.4.1.1 Failsafe</b>
			<b>2.2.4.1.2 Failsecure</b>
			<b>2.2.4.1.3 Bistable</b>
			<b>2.2.4.1.4 Disabled</b>
		<b>2.2.4.2 Test</b>	
			<b>2.2.4.2.1 Enabled</b>
			<b>2.2.4.2.1 Disabled</b>
		<b>2.2.4.3 Opening Delay</b>	<i>Value from 0 to 10,000msg.</i>
		<b>2.2.4.4 Strength In Delay</b>	<i>Value from 0 to 5</i>
	<b>2.2.5 Elastic opening</b>		
		<b>2.2.5.1 Type</b>	

			<b>2.2.5.1.1 Motor</b>
			<b>2.2.5.1.2 Elastic</b>
		<b>2.2.5.2 Configuration</b>	<i>An elastic opening is going to be performed Press OK to continue or C to cancel</i>
<b>2.3 Advanced functions</b>			
	<b>2.3.1 Trapment</b>		
		<b>2.3.1.1 Sensitiveness</b>	Value from 1 to 5 (3 by default)
			1 is more sensitive and 5 less sensitive
		<b>2.3.1.2 Mode</b>	
			<b>2.3.1.2.1 Normal</b>
			<b>2.3.3.2.2 Safe</b>
	<b>2.3.2 Inputs / Outputs</b>		
		<b>2.3.2.1 Input 1</b>	
			<b>2.3.2.1.1 Pulse NC emerg.</b>
			<b>2.3.2.1.2 Pulse NO emerg.</b>
			<b>2.3.2.1.3 Emerg. cont. NC</b>
			<b>2.3.2.1.4 Emerg. cont. NO</b>
			<b>2.3.2.1.5 Panic breakout NC</b>
			<b>2.3.2.1.6 Panic breakout NO</b>
			<b>2.3.2.1.7 Disabled</b>
		<b>2.3.2.2 Input 2</b>	
			<b>2.3.2.2.1 Pulse NC emerg.</b>
			<b>2.3.2.2.2 Pulse NO emerg.</b>
			<b>2.3.2.2.3 Emerg. cont. NC</b>
			<b>2.3.2.2.4 Emerg. cont. NO</b>
			<b>2.3.3.2.5 Panic breakout NC</b>
			<b>2.3.2.2.6 Panic breakout NO</b>
			<b>2.3.2.2.7 Disabled</b>
		<b>2.3.2.3 Output 1</b>	
			<b>2.3.2.3.1 NC closed door</b>
			<b>2.3.2.3.2 NO closed door</b>
			<b>2.3.2.3.3 NC Warning</b>
			<b>2.3.2.3.4 NO Warning</b>
			<b>2.3.2.3.5 Disabled</b>
		<b>2.3.2.4 Output 2</b>	
			<b>2.3.2.4.1 NC closed door</b>
			<b>2.3.2.4.2 NO closed door</b>
			<b>2.3.2.4.3 NC Warning</b>
			<b>2.3.2.4.4 NO Warning</b>
			<b>2.3.2.4.5 Disabled</b>
	<b>2.3.3 Battery mode</b>		
		<b>2.3.3.1 No battery</b>	
		<b>2.3.3.2 With battery</b>	
			<b>2.3.3.2.1 Emergency mode</b>
			<b>2.3.3.2.2 Autonomous mode</b>

	<b>2.3.4 Automatic mode</b>		
		<b>2.3.4.1 Normal</b>	
		<b>2.3.4.2 Semiautomatic</b>	
<b>2.4 Sensors</b>			
	<b>2.4.1 Sensors</b>		
		<b>2.4.1.1 Internal</b>	
			<b>2.4.1.1.1 NC</b>
			<b>2.4.1.1.2 NO</b>
			<b>2.4.1.1.3 Disabled</b>
		<b>2.4.1.2 External</b>	
			<b>2.4.1.2.1 NC</b>
			<b>2.4.1.2.2 NO</b>
			<b>2.4.1.2.3 Disabled</b>
	<b>2.4.2 Photocells</b>		
		<b>2.4.2.1 Internal</b>	
			<b>2.4.2.1.1 NC without test</b>
			<b>2.4.2.1.2 NC with test</b>
			<b>2.4.2.1.3 NO with test</b>
			<b>2.4.2.1.4 Disabled</b>
		<b>2.4.2.2 External</b>	
			<b>2.4.2.2.1 NC without test</b>
			<b>2.4.2.2.2 NC with test</b>
			<b>2.4.2.2.3 NO with test</b>
			<b>2.4.2.2.4 Disabled</b>
	<b>2.4.3 Safety sensors</b>		
		<b>2.4.3.1 Safety sensor 1</b>	
			<b>2.4.3.1.1 NC without test</b>
			<b>2.4.3.1.2 NC with test</b>
			<b>2.4.3.1.3 NO with test</b>
			<b>2.4.3.1.4 Disabled</b>
		<b>2.4.3.2 Safety sensor 2</b>	
			<b>2.4.3.2.1 NC without test</b>
			<b>2.4.3.2.2 NC with test</b>
			<b>2.4.3.2.3 NO with test</b>
			<b>2.4.3.2.4 Disabled</b>
<b>2.5 Movement param.</b>			
	<b>2.5.1 Closing</b>		
		<b>2.5.1.1 Max. Speed</b>	(100-500 mm/s)
		<b>2.5.1.2 Batt. max. speed</b>	(100-500 mm/s)
		<b>2.5.1.3 First acceleration</b>	(200-500 mm <sup>2</sup> /s)
		<b>2.5.1.4 1st dec. position</b>	(Position in mm)
		<b>2.5.1.5 1st dec. speed</b>	(200-500 mm/s)
		<b>2.5.1.6 2nd dec. position</b>	(Position in mm)
		<b>2.5.1.7 2nd dec. speed</b>	(50-200 mm/s)
		<b>2.5.1.8 Final dec. pos.</b>	(Position in mm)





		<b>2.5.1.9 Approach speed</b>	(10-20 mm/s)
	<b>2.5.2 Opening</b>		
		<b>2.5.2.1 Max. speed</b>	(200-800 mm/s)
		<b>2.5.2.2 Batt. max. speed</b>	(150-800 mm/s)
		<b>2.5.2.3 First acceleration</b>	(300-700 mm <sup>2</sup> /s)
		<b>2.5.2.4 1st dec. position</b>	(Position in mm)
		<b>2.5.2.5 1st dec. speed</b>	(200-500 mm/s)
		<b>2.5.2.6 2nd dec. position</b>	(Position in mm)
		<b>2.5.2.7 2nd dec. speed</b>	(50-200 mm/s)
		<b>2.5.2.8 Final dec. pos.</b>	(Position in mm)
		<b>2.5.2.9 Approach speed</b>	(10-20 mm/s)
	<b>2.5.3 Reverse movement</b>		
		<b>2.5.3.1 Fast rev. pos.</b>	Adjustable position (0 to 50%)
		<b>2.5.3.2 Slow rev. pos.</b>	Adjustable position (60 to 100%)
	<b>2.5.4 Power</b>		
		<b>Closed Door</b>	<i>Value from 0 to 5</i>
<b>2.6 Install. info.</b>			
	<b>2.6.1 Service info.</b>		
	<b>2.6.2 Commissioner</b>		
	<b>2.6.3 Commis. date</b>		
	<b>2.6.4 Serial number</b>		
	<b>2.6.5 HW version</b>		
	<b>2.6.6 SW version</b>		
<b>2.7 Funct. info.</b>			
	<b>2.7.1 Number of cycles</b>		
	<b>2.7.2 Working time</b>		
	<b>2.7.3 Last maint. cyc.</b>		
	<b>2.7.4 Total warnings</b>		
	<b>2.7.5 Last maint. warn.</b>		
	<b>2.7.6 Motor temp.</b>		
	<b>2.7.7 Driver temp.</b>		
	<b>2.7.8 Last maintenance</b>		
	<b>2.7.9 Sensor status</b>		
		<b>2.7.9.1 Inside radar</b>	
		<b>2.7.9.2 Outside radar</b>	
		<b>2.7.9.3 Inside photocell</b>	
		<b>2.7.9.4 Outside photocell</b>	
		<b>2.7.9.5 Safety sensor 1</b>	
		<b>2.7.9.6 Safety sensor 2</b>	
		<b>2.7.9.7 KB</b>	
		<b>2.7.9.8 KC</b>	
		<b>2.7.9.9 Electrolock</b>	
<b>2.8 Maintenance</b>			
	<b>2.8.1 Next maintenance</b>		
	<b>2.8.2 Autochecking</b>		

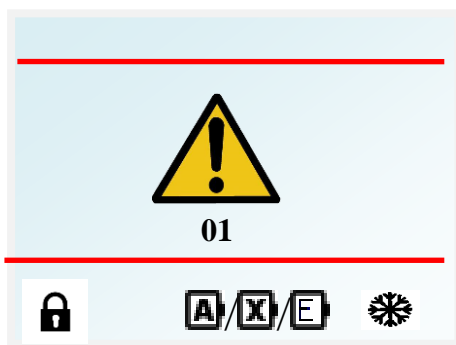


<b>2.9 Access code</b>			
	<b>2.9.1 Code change</b>		
	<b>2.9.2 Reset code</b>		
	<b>2.9.3 Code activation</b>		
		<b>2.9.3.1 Disabled</b>	
		<b>2.9.3.2 Enabled</b>	

**Signs in the display of digital selector**

Apart from the text there are some signs it can be seen in the digital selector:

- 1.- Warning indicator in the middle of the screen  with the warning code
- 2.- " Winter mode" sign in the bottom part at the right hand side 
- 3.- Locked selectro sign in the bottom part at the left hand side 
- 4.- Indicator showing the operating mode of the selected battery mode (if it shows  , emergency operating mode (EN 16005) will be selected)



## 11. TROUBLESHOOTING GUIDE

Operator is checking continually the proper performance and running a continuous diagnosis of key components of the machine and monitorize all sensors connected to the control board. If there are any faults or warning codes during operation, the digital switch's screen shows this by indicating the specific warning code.

In the event of a warning or error, the operator will execute a self-diagnosis. In the event that the cause of the alert or error has been rectified, the operator will try to automatically restore the operation.

This is the list of codes that can be automatically detected by the operator:

### WARNING CODES

Code	Description	Possible cause	Possible solution
01	Incomplete setup	"Setup" maneuver it has not been performed	The setup operation must be performed from the digital or rotary selector.
02	Obstruction	1. Door might be bloqued by an obstacle. 2. Door might hit an obstacle. 3. Encoder cable might be damaged.	1 and 2.- Check if there are any obstacles or blockages and remove them. If the motor is free, carry out a reset. 3.- Check the encoder cable. If the warning still appears after activating the reset, replace the encoder cable.
03	Electrolock failure	1.- The electrolock may be jammed. 2.- The microswitch of the electrolock may be displaced and does not make contact at the upper position of the latch.	1.- Check that the latch of the electrolock can move freely. The latch stop should not touch the latch. Once free, perform a reset. 2.- Check the microswitch. Move it until it makes contact in the upper position. In the event that it doesn't work, the electrolock test can be set to " Disabled " to keep the door functioning.
04	Microprocessor memory failure	Damaged microprocessor	Replace the electronic board
05	Motor driver temperature	The transistor of motor control are overheated or damaged	The door will open until the driver's temperature decreases, and then it will return to normal operation.
06	Motor overcurrent	1. Motor control transistor are overheated 2. Leaves are too heavy or leaves has too much friction	1.- Unlock the leaves so that they have free movement. 2.- Check if there is any excessive friction by moving the leaves manually

			<p>or if the leaves are oversized for this motor. Reduce the speed and acceleration during opening and check if the warning continues to appear. Perform a setup.</p>
07	<p>Motor temperature very high. The motor stops in the open door position and once cooled, it returns to normal operation.</p>	<p>The motor is overheated due to very intensive use at high temperatures.</p>	<p>If the warning is sporadic, allow the motor to cool down. If the warning appears frequently, replace the motor.</p>
08	<p>Internal photocell continuously activated.</p>	<p>1.- Obstacle in the photocell detection area 2.- The configuration of the photocell is not appropriate.</p>	<p>1.- Withdraw the obstacle 2.- Reconfigure the photocell.</p>
09	<p>External photocell continuously activated.</p>	<p>1.- Obstacle in the photocell detection area 2.- The configuration of the photocell is not appropriate.</p>	<p>1.- Withdraw the obstacle 2.- Reconfigure the photocell.</p>
10	<p>Internal Radar continuously activated.</p>	<p>1.- Obstacle in the radar detection area. 2.- The radar configuration is not suitable.</p>	<p>1.- Withdraw the obstacle 2.- Reconfigure radar.</p>
11	<p>External radar continuously activated.</p>	<p>1.- Obstacle in the radar detection area. 2.- The radar configuration is not suitable.</p>	<p>1.- Withdraw the obstacle 2.- Reconfigure radar.</p>
12	<p>Safety sensor 1 is continuously activated.</p>	<p>1.- Obstacle in the safety sensor detection area 2.- The safety sensor configuration is not suitable.</p>	<p>1.- Withdraw the obstacle 2.- Reconfigure safety sensor.</p>
13	<p>Safety sensor 2 is continuously activated.</p>	<p>1.- Obstacle in the safety sensor detection area 2.- The safety sensor configuration is not suitable.</p>	<p>1.- Withdraw the obstacle 2.- Reconfigure safety sensor.</p>
14	<p>Internal 24 V power supply failure.</p>	<p>1.- Excessive consumption in the 24 V supply of the board. 2.- Internal 24V power supply of the electronic board is damaged.</p>	<p>1.- Check that the peripherals powered by the board do not exceed 1.3 A. Disconnect the power from the peripherals and connect them one by one. 2.- Replace the electronic board</p>
15	<p>Motor bus voltage failure</p>	<p>Electronic board damaged</p>	<p>Replace electronic board</p>
16	<p>Power source selection relay voltage failure (K2)</p>	<p>Board power supply fuse is broken.</p>	<p>Change the power fuse in the plate: F2 SMD 10 A.</p>
17	<p>Main voltage failure (power supply)</p>	<p>1.- Cut off the input power supply (220 V).</p>	<p>1.- Measure the power supply voltage. Check the</p>

		2.- Fuse of the power supply damaged by overvoltage.	circuit breakers in the main panel. Wait for the power supply to return. 2.- Replace the power supply fuse (2 A, 5x20)
18	System voltage failure (Vsystem)	Input power supply voltage very low.	Check if the power supply voltage is abnormal or drops below 150 V.
19	Exterior temperature in the operator	The ambient temperature in the operator area is too high.	The door will automatically go to open door until the external temperature of the operator drops below 70 °C.
20	Trapment During the closing operation, the door stops and reverses the operation, opening at a slow speed. During the opening operation, the door stops and then resumes opening at a slow speed after 5 seconds.	1.- A person or obstacle is trapped in the door. 2.- The trapment sensitivity adjustment is very low and excessive friction can cause the warning.	1.- Remove obstacle 2.- Adjust the trapment sensitivity using the selector to a higher value. Perform a setup operation again.
21	Battery damaged	1.- The battery has no voltage. 2.- The battery is not properly connected.	1.- Replace battery. 2.- Check that the battery connector is properly connected.
22	Battery flat	The battery power is below that required	Allow the battery to charge. Perform a setup so that the battery has 24 hours to reach the appropriate charge.
23	Emergency (anti-fire)	The anti-fire signal is enabled	Disable the anti-fire signal
24	Continuous trapment (safe mode)	The door has repeatedly trapped a person or obstacle.	Remove the person or obstacle from the path. Perform a reset.
25	Internal photocell test failure	The test of the photocell is configured in reverse or the test cables are not properly connected.	Check the test input both in the photocell (ON) and on the board (NC) or the test cable connection.
26	External photocell test failure	The test of the photocell is configured in reverse or the test cables are not properly connected.	Check the test input both in the photocell (ON) and on the board (NC) or the test cable connection.
27	Safety sensor 1 test failure	The safety sensor test is configured in reverse or the test wires are not properly connected.	Check the test input both on the safety sensor (ON) and on the board (NC) or the test cables connection.
28	Safety sensor 2 test failure	The safety sensor test is configured in reverse or the test wires are not properly connected.	Check the test input both on the safety sensor (ON) and on the board (NC) or the test cables connection.
29	Built-in anti-panic	The leaves of the anti-panic	Interlock the leaves in their

		fitting are open	position
30	K1 relay failure (Motor activation)	Electronic board damaged	Replace electronic board
31	K2 relay failure (Power selection)	Electronic board damaged	Replace electronic board
32	K3 relay failure (Motor bus power selection)	Electronic board damaged	Replace electronic board
34	Communication failure with expansion board	There is a communication failure between the operator and the expansion board.	Check if the communication cable is installed correctly. Performing a reset may facilitate the recovery from the error. If the problem persists, check the operator's configuration.
35	Incomplete reset	The operator cannot perform a RESET.	Check if the door is blocked by any device or obstacle.

## 12. ANNEXES

### 11.1 Maintenance

Automatic door installations require regular maintenance; the frequency will be determined by environmental conditions and traffic density.

- 1.- Remove dust and dirt from the mechanism. Dirt on the running track should be removed with methylated spirits.
- 2.- No part requires lubrication. The timing belt should be kept dry and clean.
- 3.- Check that all nuts and bolts are secured.
- 4.- Adjustment, if necessary only, the speeds of the moving leaves, the opening time held and that the position of the moving leaves are in accordance with existing regulations and requirements of the authorities.

### 11.2 Warranty

ERREKA Connected Access declares, under its sole responsibility, that the products supplied have a warranty lasting 12 months from the date of purchase (or date of delivery protocol) This warranty applies to all manufacturing defects and will include the costs of transporting the material to the nearest approved technical service. It is the installer's responsibility to transfer the equipment to this technical service.

This warranty does not include:

- Damage caused by incorrect installation or use of equipment.
- Damage caused by handling by unauthorized personnel.
- Damage caused by external or atmospheric agents (lightning, floods, etc).

## DECLARATION OF CONFORMITY

**Manufacturer:** MATZ-ERREKA, S.Coop.

**Address:** Pol. Ind. San Juan 93  
B° San Juan  
20570 Bergara (Gipuzkoa) SPAIN

**Type of equipment:** Sliding door operator

**Model:** GLOBAL 4 / TELESCOPIC 4

**Declares:**

Comply safety requirements of the following directives:

- Low voltage directive 2014/35/UE
- Electromagnetic compatibility directive 2014/30/UE
- Machinery directive 2006/42/CE

ERREKA Connected Access declares that GLOBAL 4 / TELESCOPIC 4 operator has been designed to fulfill following harmonized European standards:

EN ISO 13849-1:2008 (PL=c)  
EN 61000-6-2  
EN 61000-6-3  
EN 60335-1  
EN 60335-2-103  
EN 16005: 2013

Roberto Corera  
Managing Director



Bergara, 16th May 2016



#### **ERREKA GROUP**

Bº Ibarreta s/n  
20577 Antzuola (Gipuzkoa) Spain  
T. (+34) 943786009  
[info@erreka.com](mailto:info@erreka.com)  
[www.erreka.com](http://www.erreka.com)

#### **ERREKA CONNECTED ACCESS**

Polig. Ind. San Juan,  
B. San Juan, 93  
20570 Bergara (Gipuzkoa) Spain  
T. (+34) 943769900