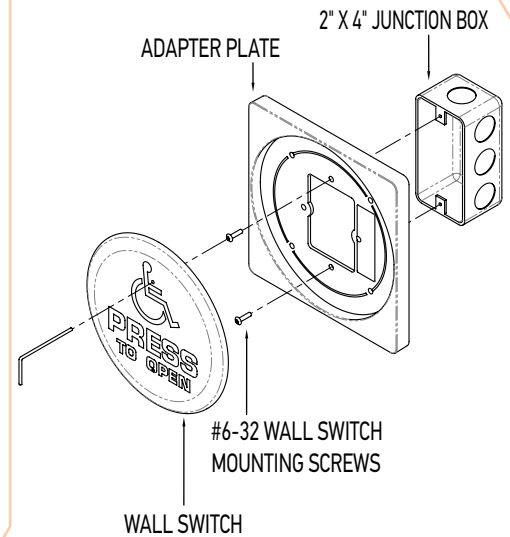


Wall Switch Installation Instructions



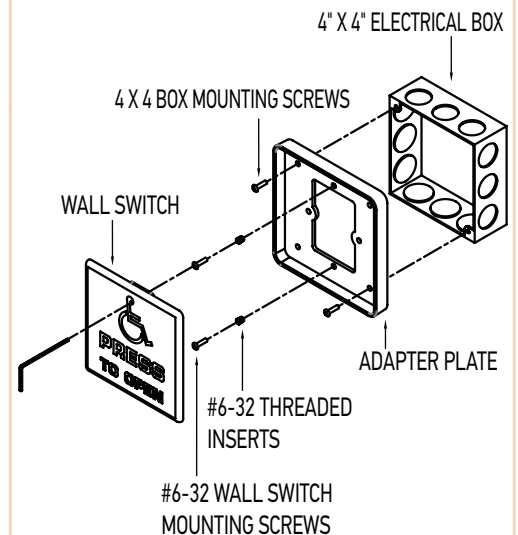
2" x 4" Single Gang Wall Switch Mounting

- 1 Install a 2"x 4" single gang mounting box in the area in which the wall switch is to be installed. Be sure the screws are vertically oriented and ensure there is adequate clearance on each side to accommodate the adapter plate.
- 2 Thread the enclosed #6-32 screws through the adapter plate and into the 2"x 4" box, tightening until approximately 1/4" remains visible.
- 3 Wire the wall switch to the door controller using the spade terminals to connect to the N.O. and COMMON contacts (see drawing to the right).
- 4 Slide the back plate of the switch over the screws and allow it to settle. Use the enclosed wrench to tighten and secure wall switch plate.
- 5 Test for activation.



4" x 4" Double Gang Wall Switch Mounting*

- 1 Install a 4" x 4" double gang mounting box in the area in which the wall switch is to be installed. Be sure there is adequate clearance on each side to accommodate the adapter plate.
- 2 Press the #6-32 screw inserts into the holes of the adapter plate from the front as shown. The hex head must be flush with the face of the adapter plate.
- 3 Thread the enclosed #6-32 screws into the adapter plate, tightening until approximately 1/4" of the threads remain visible.
- 4 Thread the 4" x 4" mounting box screws through the plate adapter and into the 4" x 4" box as shown. Tighten.
- 5 Wire the wall switch to the door controller using the spade terminals to connect to the N.O. and COMMON contacts (see drawing to the right).
- 6 Slide the back plate of the switch over the #6-32 screws and allow it to settle. Use the enclosed wrench to tighten and secure wall switch plate.
- 7 Test for activation.



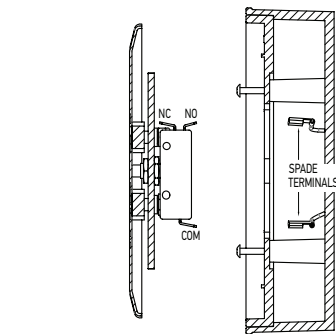
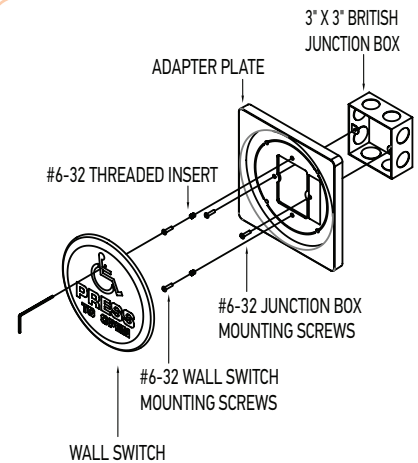
* 4-1/2" Round Wall Switches cannot be mounted on 4 x 4 boxes without a special adapter plate (P/N 0022006900) available separately. Please contact ATEK Access Technologies for details.

Wall Switch Installation Instructions



3" x 3" Box Mounting

- 1 Install a 3" x 3" mounting box in the area in which the wall switch is to be installed. Bend upper and lower tabs inward to accommodate wall switch. Be sure there is adequate clearance on each side to accommodate the adapter plate.
- 2 Press the #6-32 screw inserts into the holes in the adapter plate as shown with the hex head flush to the face of the adapter plate on the side facing the wall switch.
- 3 Thread the enclosed #6-32 screws into the adapter plate, tightening until approximately 1/4" of the threads remain visible.
- 4 Thread the 3" x 3" mounting box screws into the 3" x 3" box and tighten.
- 5 Wire the wall switch to the door controller using spade terminals to connect to the N.O. and COMMON contacts (see drawing to the right).
- 6 Slide the back plate of the switch over the #6-32 wall switch screws and allow it to settle. Use enclosed wrench to tighten and secure wall switch plate.
- 7 Test for activation.



Wall Switch Wire Connection Drawing

Cleaning Wall Switches

Wall switch cover plates are manufactured from high quality stainless steel and painted with scuff-resistant coatings. To clean the cover plates, use a damp non-abrasive cloth. Regular cleaning with harsh solvents or abrasive materials may cause deterioration of the painted engraving.

Mounting Options

In addition to the mounting options on this sheet, Larco wall switches can be mounted in any of our specially designed wall switch mounting boxes, like the universal box shown at right. Use the guidelines included with each box for proper installation.

Observe all manufacturers' recommendations for safety and operation of their products. ANSI/BHMA standards that offer specific recommendations for each type and class of automatic door have been developed. To obtain a copy of the ANSI/BHMA installation standard, visit www.buildershardware.com or www.ansi.org.

