

# THERM40

SLIDING PEDESTRIAN DOOR PROFILES  
INSTALLATION GUIDE

[www.erreka.com](http://www.erreka.com)



**General safety instructions 4**

Symbols used in this guide \_\_\_\_\_ 4  
 Importance of this guide \_\_\_\_\_ 4  
 Envisaged use \_\_\_\_\_ 4  
 Installer's qualifications \_\_\_\_\_ 4  
 Safety warnings \_\_\_\_\_ 4  
 Dangers in the closing edges \_\_\_\_\_ 4  
 Manual review \_\_\_\_\_ 5  
 Warnings for the disposal \_\_\_\_\_ 5



**Description of the product 6**

Introduction \_\_\_\_\_ 6  
 General characteristics \_\_\_\_\_ 6  
 Parts of the installation \_\_\_\_\_ 7  
 THERM40: installation types \_\_\_\_\_ 8  
 THERM40 Multilock: installation types \_\_\_\_\_ 9



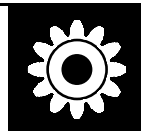
**Preliminary checks and unpacking 10**

Tools and materials \_\_\_\_\_ 10  
 Initial conditions and checks \_\_\_\_\_ 10  
 Receipt of material \_\_\_\_\_ 10  
 Unpacking \_\_\_\_\_ 11  
 Identification of parts \_\_\_\_\_ 11



**Operator installations 13**

Warnings \_\_\_\_\_ 13  
 GLOBAL System operator installation \_\_\_\_\_ 13  
 ERTAIN System operator installation \_\_\_\_\_ 14



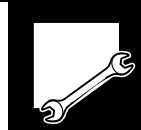
**Installation THERM40 15**

Fixed leaves \_\_\_\_\_ 15  
 Moving leaves \_\_\_\_\_ 20



**Installation THERM40 Multilock 26**

Fixed leaves \_\_\_\_\_ 26  
 Moving leaves \_\_\_\_\_ 26



**Annexes 32**

Maintenance \_\_\_\_\_ 32  
 Warranty \_\_\_\_\_ 32



## 1 SYMBOLS USED IN THIS GUIDE

This guide uses symbols to highlight specific texts. The functions of each symbol are explained below:

**▲ Failure to respect the safety warnings could lead to accident or injury.**

**🔑** Important details which must be respected for correct assembly and operation.

**i** Additional information to help the installer.

**♻️** Information on care for the environment.

## 2 IMPORTANCE OF THIS GUIDE

**▲ Read this guide in its entirety before carrying out the installation, and obey all instructions. Failure to do so may result in a defective installation, leading to accidents and failures.**

**i** Moreover, this guide provides valuable information which will help you to carry out installation more efficiently.

**🔑** This guide is an integral part of the product. Keep for future reference.

## 3 ENVISAGED USE

These profiles have been designed exclusively for installation as an automatic sliding pedestrian door with ERREKA GLOBAL System or ERREKA ERTAIN System operators.

**▲ Failure to install or use as indicated in this guide is inappropriate and hazardous and could lead to accidents or failures.**

**▲ The installer shall be responsible for ensuring the installation is set up for its envisaged use.**

## 4 INSTALLER'S QUALIFICATIONS

**▲ Installation should be completed by a professional installer, complying with the following requirements:**

- The installer must be competent, adequately trained and qualified, possessing both theoretical knowledge and practical experience in the installation of pedestrian doors.

- He or she must possess current knowledge of regulations related to pedestrian doors, installation methods and techniques, and necessary safety measures.

- Partially trained personnel should only be used as assistants under the supervision of the installer.

**▲ Installation should be carried out taking into account Standards EN16005.**

## 5 SAFETY WARNINGS

**▲ During installation, follow all safety warnings in this guide, as well as those in the guide for the operator you are using (GLOBAL System or ERTAIN System).**

**🔑** The safety of the complete installation depends on all the elements installed. Install only Erreka components in order to guarantee proper operation.

**▲ Respect the instructions for all the elements used in the installation.**

**▲ Installing safety elements is recommended.**

## 6 DANGERS IN THE CLOSING EDGES

**▲ There may be a risk of crushing, trapping, collision and dragging in the different closing edges of the automatic doors.**

## 7 MANUAL REVIEW

Manual review: 02.

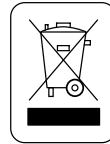
Date: 2024-04-12.

## 8 WARNINGS FOR THE DISPOSAL

When this product reaches the end of its useful life, it must be dismantled by qualified personnel.

This product is made up of diverse materials, some can be recycled and others must be disposed of. It is necessary to find out about the recycling and disposal systems provided by the local regulations in force.

Some parts of this product may contain polluting or hazardous substances that, if released to the environment, could damage it and human health.



It is forbidden to dispose of this device together with household waste. Carry out selective collection according to local regulations.



# DESCRIPTION OF THE PRODUCT

## 1 INTRODUCTION

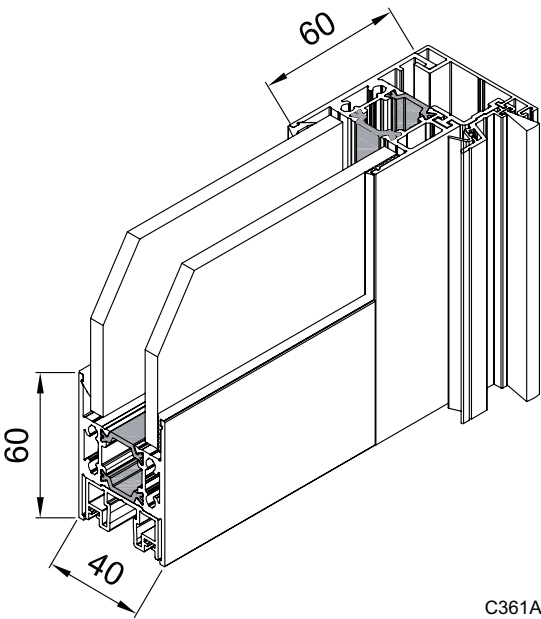
ERREKA Connected Access would like to thank you for placing your trust in us by choosing one of our products. We recommend reading this installation guide carefully in order to ensure proper installation, since the quality of your work will depend on the operation of your automatic door.

ERREKA Connected Access will not be liable for damage caused by any installation not in line with this Installation Manual.

## 2 GENERAL CHARACTERISTICS



Mechanical characteristics	
Material:	<ul style="list-style-type: none"> <li>• AW-6060 T6 extruded aluminium alloy profiles with thermal break with fibreglass-reinforced polyamide rods.</li> <li>• Extruded PVC and EPDM seals.</li> </ul>
Face width:	60mm
Base height:	60mm
Profile depth:	40mm



C361A

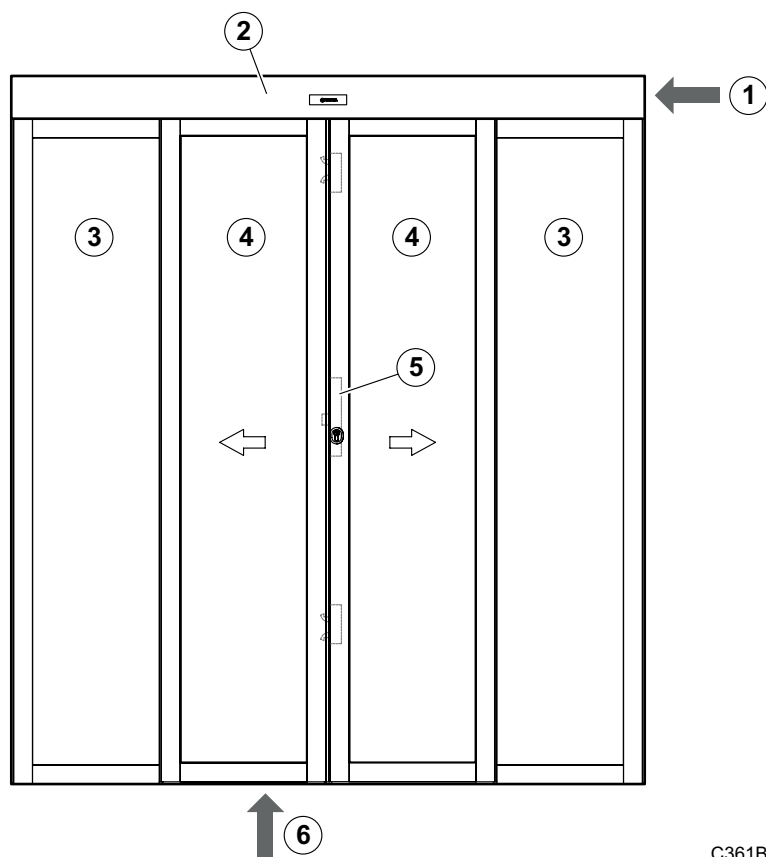
Functions	
U thermal transmission coefficient:	<ul style="list-style-type: none"> <li>• For a 2+2 door measuring 6x3m, <math>U_g</math> 1.1 W/m<sup>2</sup>K: <math>U_d=1.6W/m^2K</math></li> <li>• For a 2+2 door measuring 6x3m, <math>U_g</math> 0.6 W/m<sup>2</sup>K: <math>U_d = 1.22W/m^2K</math></li> </ul>
Glass thickness:	32mm
Maximum moving leaf dimensions:	Height: 3000mm; Width: 2000mm
Weight leaves:	1x200kg / 2x140kg
Safety distance:	EN 16005

Equipment / options	
Lintel:	THERM40 lintel (Optional)
Standard profiles:	THERM40
Profile with mechanical lock:	THERM40 Multilock
Recessed guide:	ZGUIA10 + ZCARRIL1 (Standard)
Surface guide:	GUIA01 (Optional)

Glass calculation		
LEAF TYPE	GLASS HEIGHT	GLASS WIDTH
Moving leaf:	Moving leaf height - 93mm	Moving leaf width - 103mm
Fixed leaf:	Fixed leaf height - 93mm	Fixed leaf width - 98mm
Top leaf:	Top leaf height - 93mm	Top leaf width - 98mm

Operators to be used
GLOBAL System
ERTAIN System

### 3 PARTS OF THE INSTALLATION

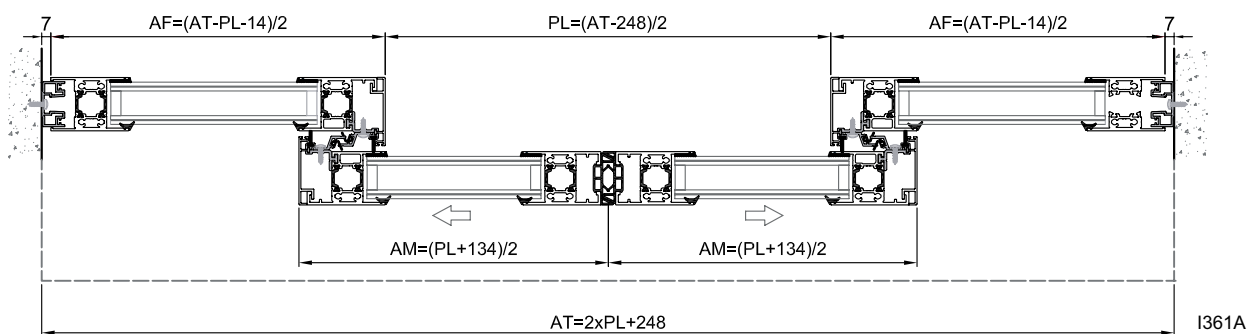


C361B

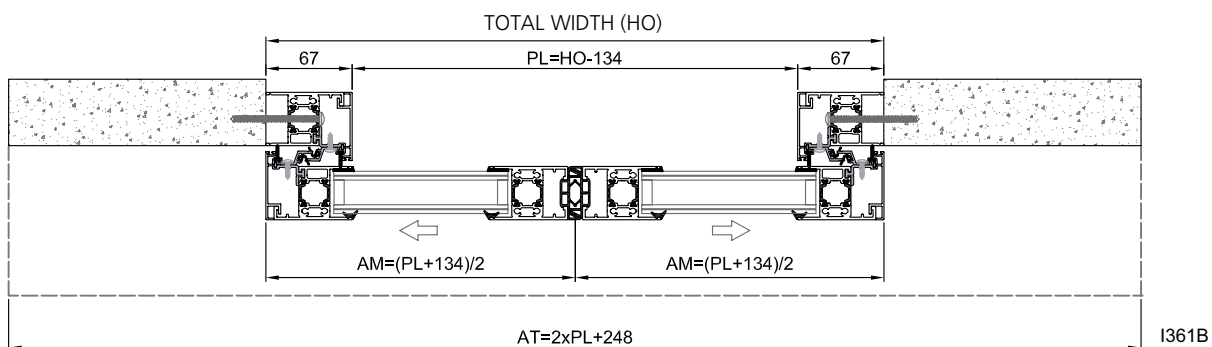
- 1 Lintel (optional)
- 2 Operator (not included)
- 3 Fixed leaves
- 4 Moving leaves
- 5 Mechanical lock (THERM40 Multilock)
- 6 Recessed Guide (standard) or Surface Guide (optional)

**4 THERM40: INSTALLATION TYPES**

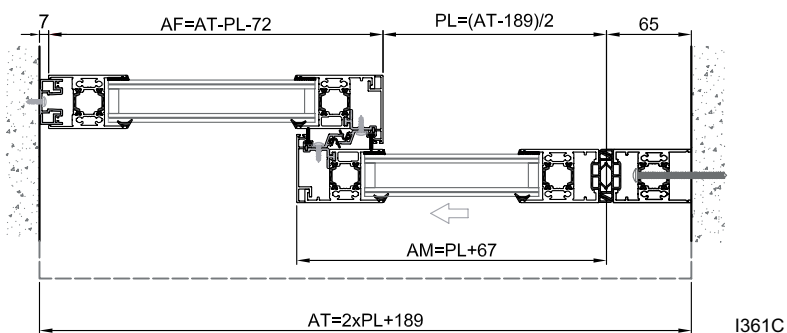
**2 moving leaves + 2 fixed leaves (2+2):**



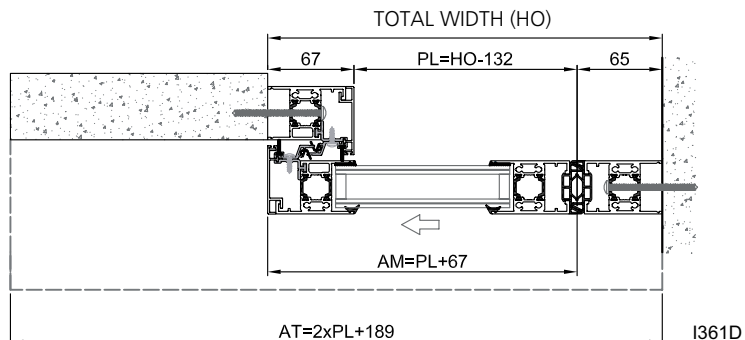
**2 moving leaves (2+0):**



**1 moving leaf + 1 fixed leaf (1+1):**



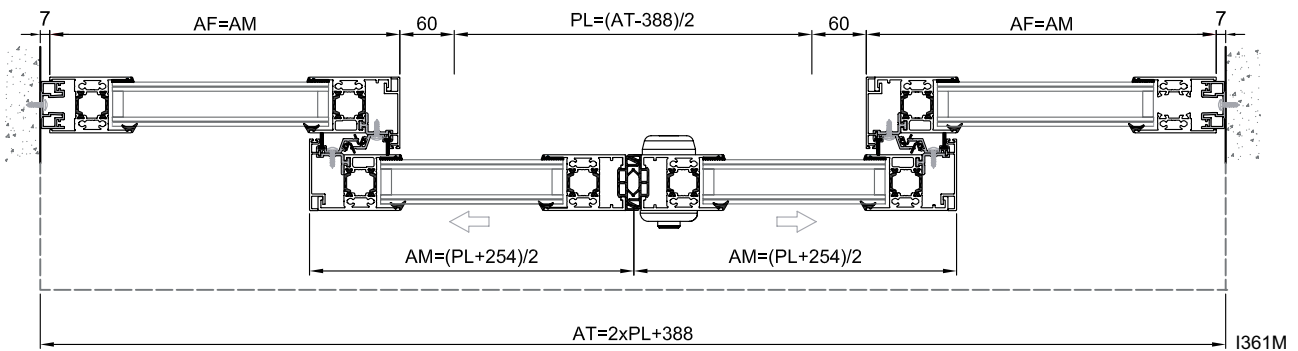
**1 moving leaf (1+0):**



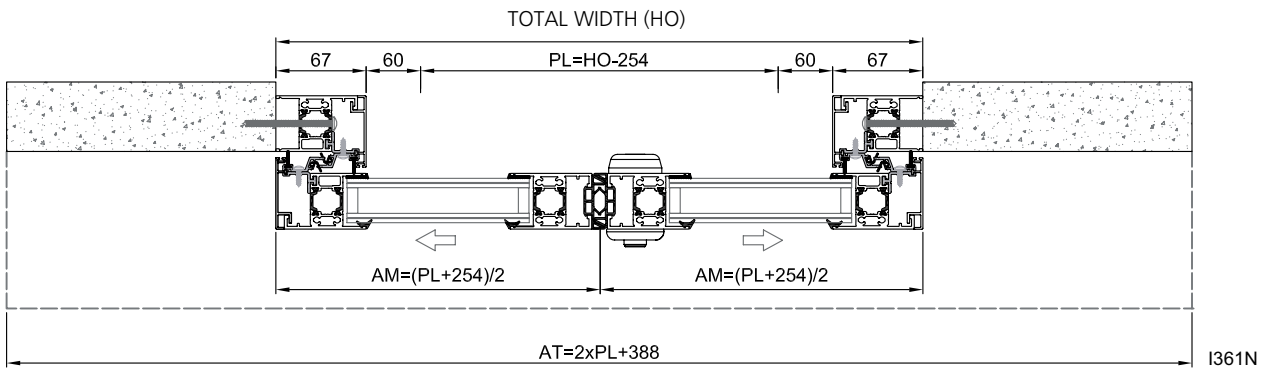


**5 THERM40 MULTILOCK: INSTALLATION TYPES**

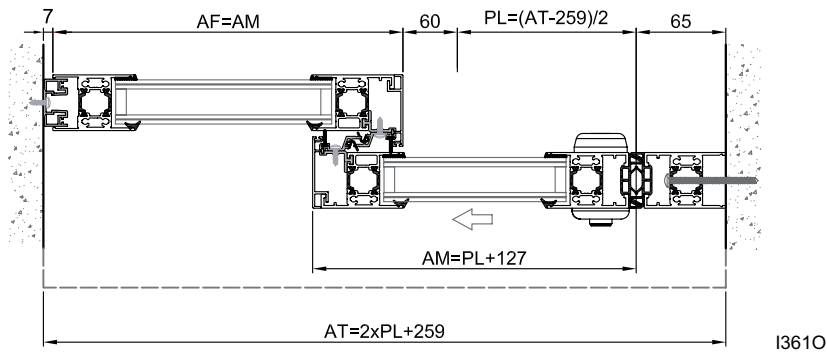
**2 moving leaves + 2 fixed leaves (2+2):**



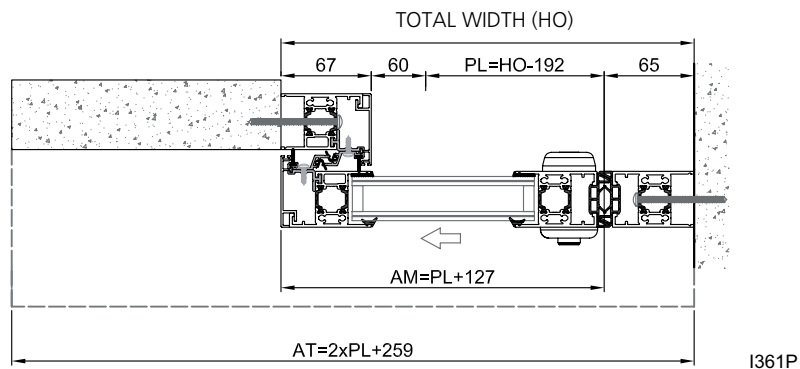
**2 moving leaves (2+0):**



**1 moving leaf + 1 fixed leaf (1+1):**



**1 moving leaf (1+0):**



## 1 TOOLS AND MATERIALS

### Required tools

- Drill
- 13 mm open-end wrench
- Silicone
- Drill bits  $\varnothing$ : 4.2mm, 5mm, 6mm
- Set of Allen keys: 2- 6
- Tape measure
- Level
- Saw
- Cutter
- Screwdriver
- Screwdriver bits set
- Pencil

## 2 INITIAL CONDITIONS AND CHECKS

### Initial conditions

**▲ Ensure that the materials used in the opening where the door will be installed are sufficiently robust.**

☞ Check that the size of the opening is suitable for the door you are installing (see the section below).

☞ Check that the floor where the door will be mounted is level.

☞ The operator's fastening structure must be solid and must not have any significant deformation.

### Opening size for the door

**Horizontally:** size depends on the type of installation, see:

- "THERM40: installation types" on page 8 and
- "THERM40 Multilock: installation types" on page 9.

**Vertically:** The size of the opening depends on whether the installation will be carried out on a THERM40 lintel or on a beam or wall:

- Lintel THERM40: the opening should be slightly lower than the profiles (approx. 7 mm), as the profiles are supported on the lintel (see "Fixed leaves installation - Lintel THERM40" on page 18).
- Beam or wall: the opening should be slightly higher than the profiles (approx. 7 mm) as a guide profile is used for fastening (see "Fixed leaves installation - Beam/Wall" on page 19).

### Ambient conditions

**▲ If you are installing the door in a highly corrosive environment, check with ERREKA beforehand.**

## 3 RECEIPT OF MATERIAL

The customer should receive all packages sent by Erreka in a perfect condition.

The contents of each package must be indicated, "Fixed Profiles" or "Moving Profiles".

The leaves are packed separately in their respective boxes. Apart from the frames, essential assembly accessories are supplied in the opener accessories box.

Any damaged goods should be entered in the delivery note provided by the transport agent, which shall be liable for any such defects.

**NOTE:** mixing the profiles of different packages is not recommended.

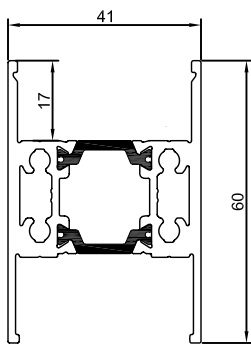
The profiles are shipped in cardboard packaging with cardboard separators.

## 4 UNPACKING

- 1 Open the package and remove the contents from within.
  - 2 Check the contents and identify the parts (see the "Identification of parts" section below).
- 🔍 If it is noticed that a piece is missing or deteriorated, contact the nearest technical service.
  - ♻️ Discard the packaging in an environmentally friendly manner, using recycling containers.

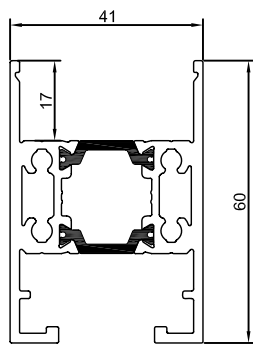
## 5 IDENTIFICATION OF PARTS

### Aluminium profiles



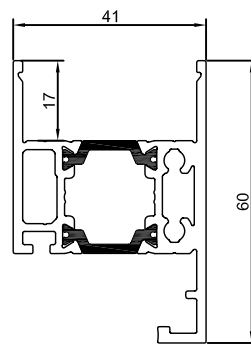
38A801

THERM40 Guide Frame



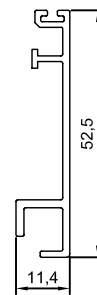
38A811

THERM40 Frame Meeting



38A821

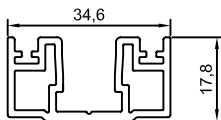
THERM40 Overlap Frame



38A831

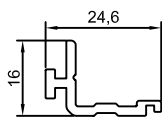
THERM40 Overlap Profile

### PVC profiles and brushes



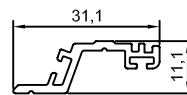
38A073

THERM40 PVC Bottom Guide



38A071

THERM40 PVC Rigid L-Piece

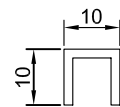


38A072

THERM40 PVC Cross Profile



30A196  
SPF Brush  
3.8X14



30A869  
U  
10x10x1.5

### Rubber pieces



38A078

THERM40 EPDM Meeting Rubber



38A074

THERM40 EPDM Glazing Shim with adhesive



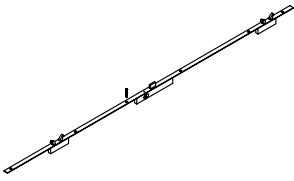
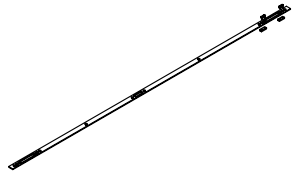

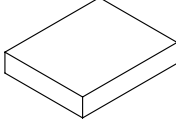
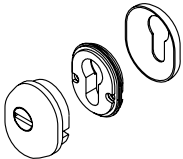
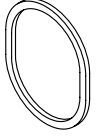
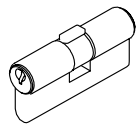
38A077

THERM40 EPDM Overlap Rubber



38A076

THERM40 Shim 3mm EPDM

Locks			
			
38A711 MULTITOP CISA Lock MAX 49746-25	38A842 THERM40 MULTITOP Long Striker MAX	38A722 Lock Shim MULTITOP MAX	38A840 THERM40 Lock Nut Anchor
			
38A714 Shield	38A713 Shield Trim Ring CISA 6460	38A715 Cylinder	



Various			
30A079 Self-tapping Bolt 4.8X65 DIN 7981	29A035 Self-drilling and Self-tapping bolt 4.9X19	31A519 Tubular Stainless STEEL Moving Couplings	31A866 Lag Bolt 5X50 Bichrome
30A205 Bolt DIN 7991 M5X10	13A033 Self-tapping Bolt 3.5X13 DIN 7981 zinc plated		

**1 WARNINGS**

- ▲ **THERM40 sliding pedestrian doors have been designed for installation with ERREKA GLOBAL System and ERREKA ERTAIN System operators. Do not use operators other than those indicated.**
- ▲ **Refer to the installation guide of the operator you are using to complete the installation correctly and safely.**

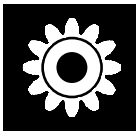
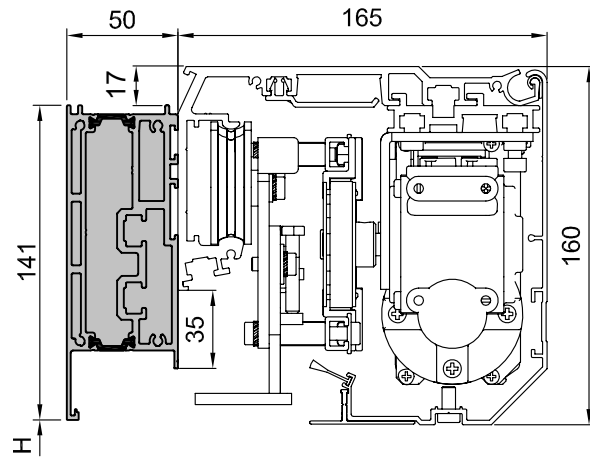
☞ Below are the installation dimensions for the operators. For full installation and commissioning of the operators, refer to the guide for the operator you are using.

**2 GLOBAL SYSTEM OPERATOR INSTALLATION**

**Installation on Lintel THERM40**

**GLOBAL System - Lintel THERM40**

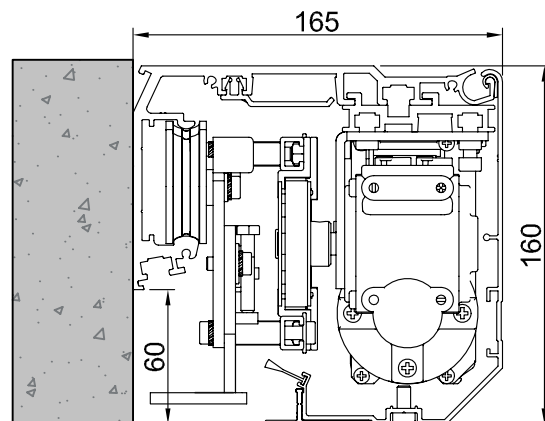
Fix the profile according to the drawing.  
The operator protrudes by 17 mm above the lintel.



**Installation on beam or wall**

**GLOBAL System - Beam or wall**

Fix the profile according to the drawing.



O361B

**3 ERTAIN SYSTEM OPERATOR INSTALLATION**

**Installation on Lintel THERM40**

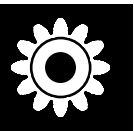
**ERTAIN System - Lintel THERM40**  
 Fix the profile according to the drawing.

O361C

**Installation on beam or wall**

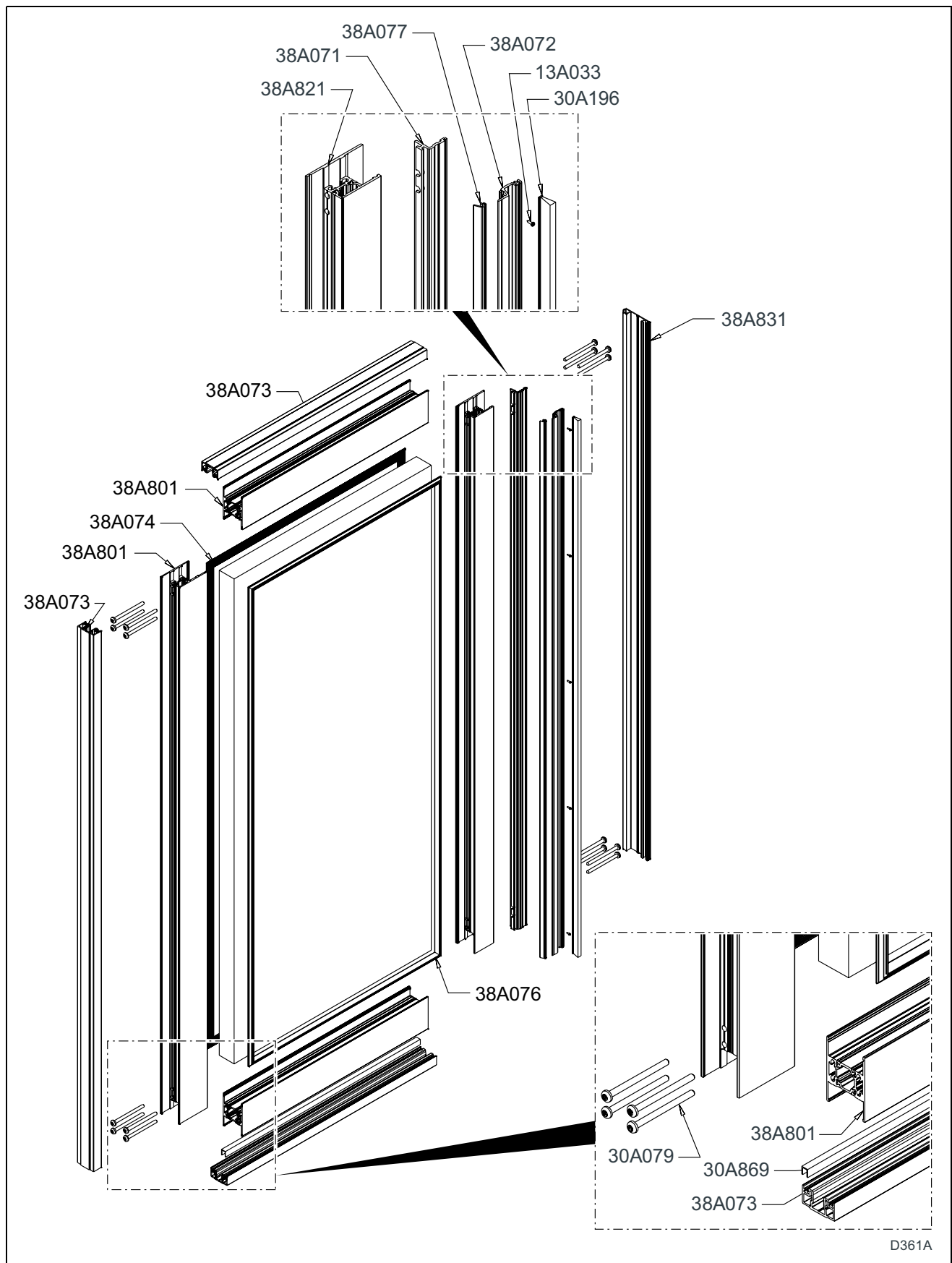
**ERTAIN System - Beam or wall**  
 Fix the profile according to the drawing.

O361D



**1** FIXED LEAVES

Exploded view of fixed leaves



## Fixed leaves assembly

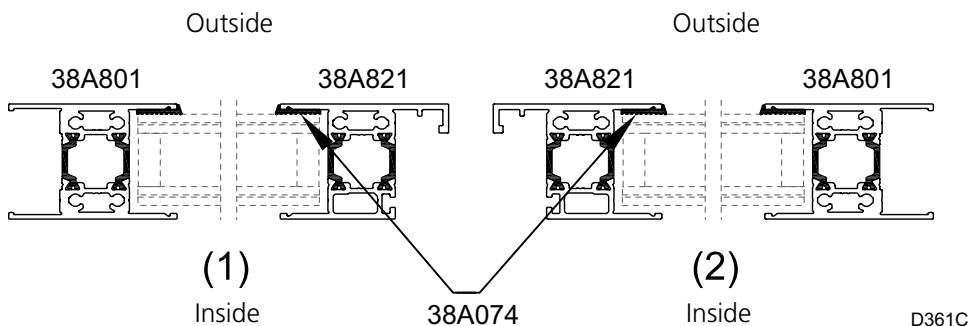
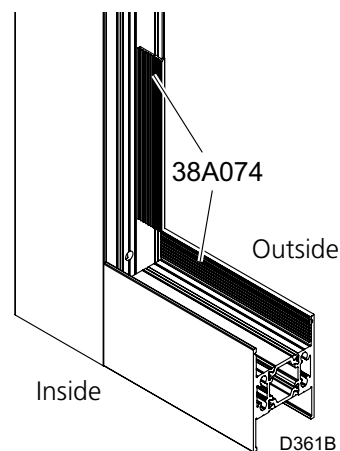
✎ The profiles are delivered from the factory cut and machined to the size of the glass, ready for assembly.

- 1 Place the glazing rubber with adhesive (38A074) in the frame on the cold side of the profile (see the drawing).

Assemble the frames correctly, taking into account the location of the fixed leaf in the facility (viewed from inside):

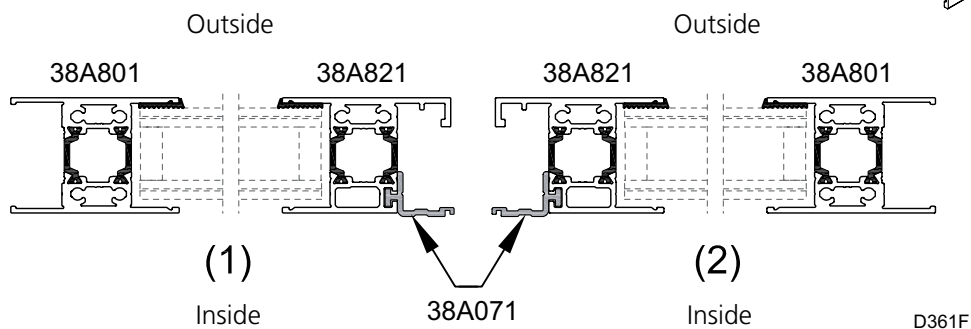
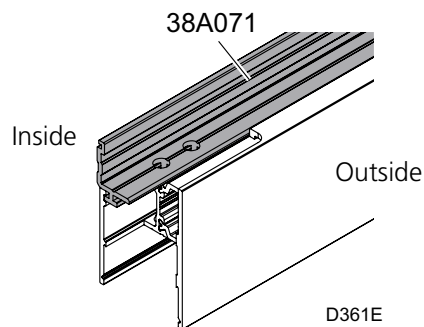
- 1: fixed leaf on the left
- 2: fixed leaf on the right

- ✎ Fit the rubber piece throughout the entire length, except where the profiles come together.
- ✎ Avoid any overlapping of the rubbers in the area where the frames come together.



- 2 Insert the PVC rigid L-piece (38A071) in the overlap frame (38A821). Machine the holes in the PVC profile, matching the holes in the aluminium profile.

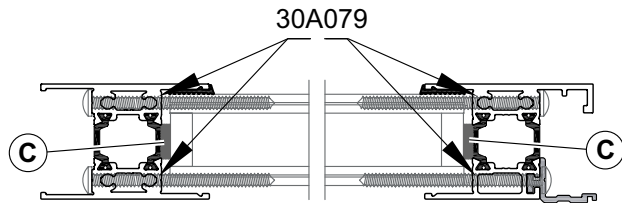
- ✎ Bear in mind the location of the fixed leaf (1: left, 2: right) in order to position the PVC profile correctly.



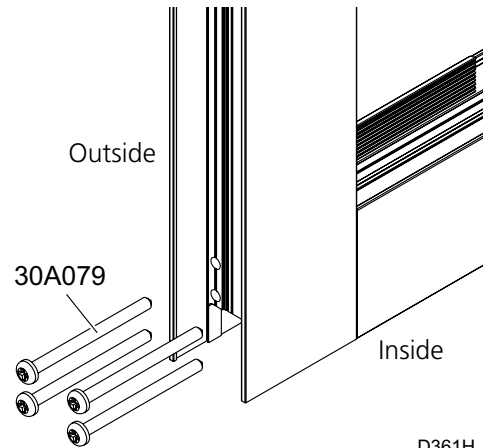


**3** Place the profiles around the glass and bolt the frames (4 bolts (30A079) in each end).

Use 3 mm-high glazing shims (C) in the frames to support the glass. Do not place the glass directly on the frames.

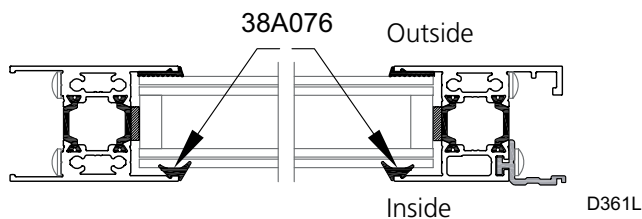


D361I

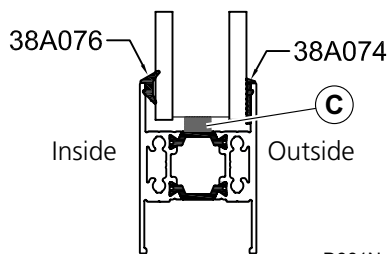


D361H

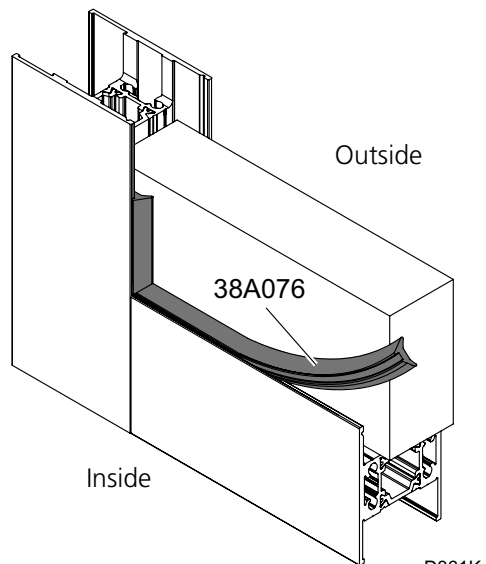
**4** Fit 3 mm shim (38A076).



D361L



D361N

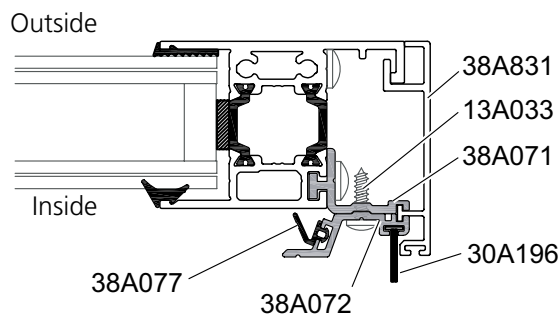


D361K

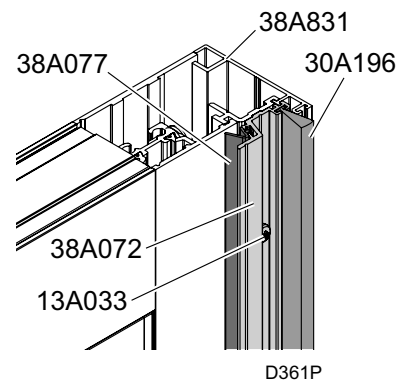
**5** Fit the overlapping profile (38A831).

Fasten the profile by joining the PVC cross profile (38A072) with the PVC rigid L-piece (38A071) using self-tapping bolts (13A033).

Insert the overlap rubber (38A077) and the brush (30A196).



D361Q



D361P

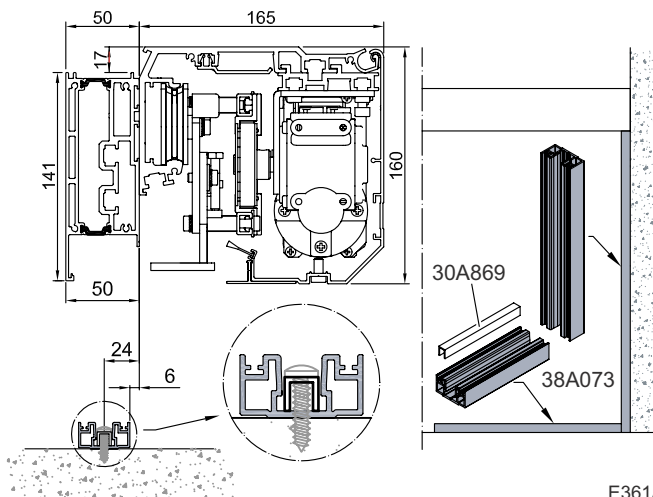


### Fixed leaves installation - Lintel THERM40

- 1 Fasten the PVC guide profile (38A073) to the floor and vertical wall according to the drawing.

Fix the PVC guide profile to the floor using the 10x10x1.5 aluminium U-piece (30A869).

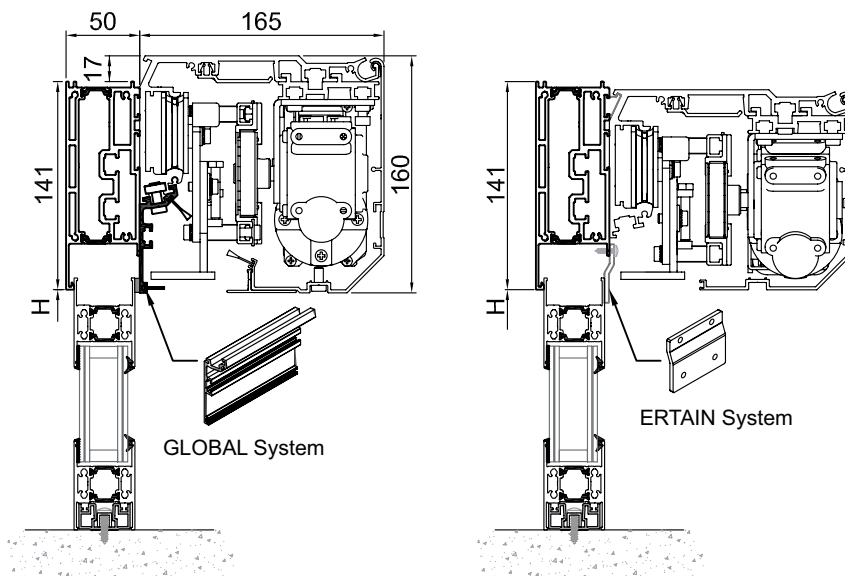
Place the fastening bolts approximately every 300 mm.



E361A

- 2 Insert the fixed leaf between the guide profiles 38A073, supported against the lintel.

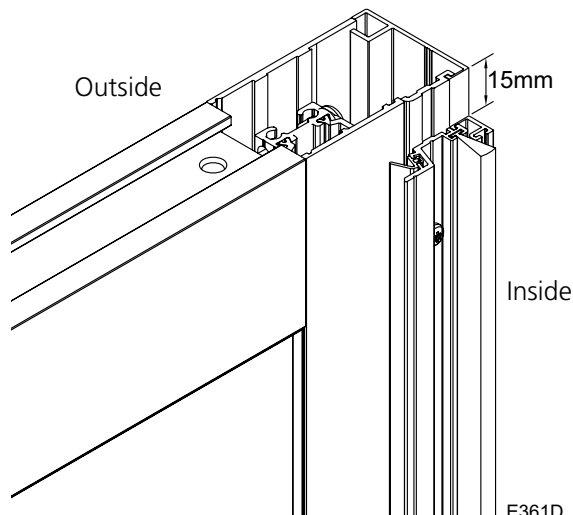
Use the box moulding profile (GLOBAL System) or the fastening plates (ERTAIN System) to secure the fixed leaf to the lintel.



E361B

- 3 Make a small recess (approx. 15 mm) in the top of the moving leaf overlap profile, in order to prevent it from rubbing against the box moulding profile (GLOBAL System) or the fastening plates (ERTAIN System).

- ⚠ **VERY IMPORTANT:** Check that the leaf is in its correct position and levelled. Where necessary, apply weld beads (silicone or similar) to all joints in the floor, the junction with the vertical U, and the opener.



E361D

## Fixed leaves installation - Beam/Wall

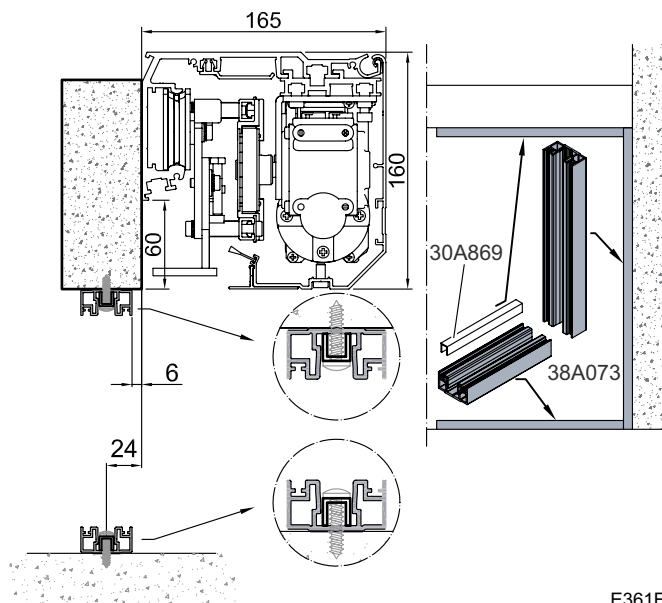
- 1 Fasten the PVC guide profile (38A073) to the floor, beam/wall and vertical wall according to the drawing.

Fix the PVC guide profile to the ceiling and floor using the 10x10x1.5 aluminium U-piece (30A869).

Place the fastening bolts approximately every 300 mm.

- 2 Insert the fixed leaf between the profiles up to its position.

- ▣ Where necessary, apply weld beads (silicone or similar) to all joints and seals, the floor, the junction with the vertical U, and the junction with the beam.

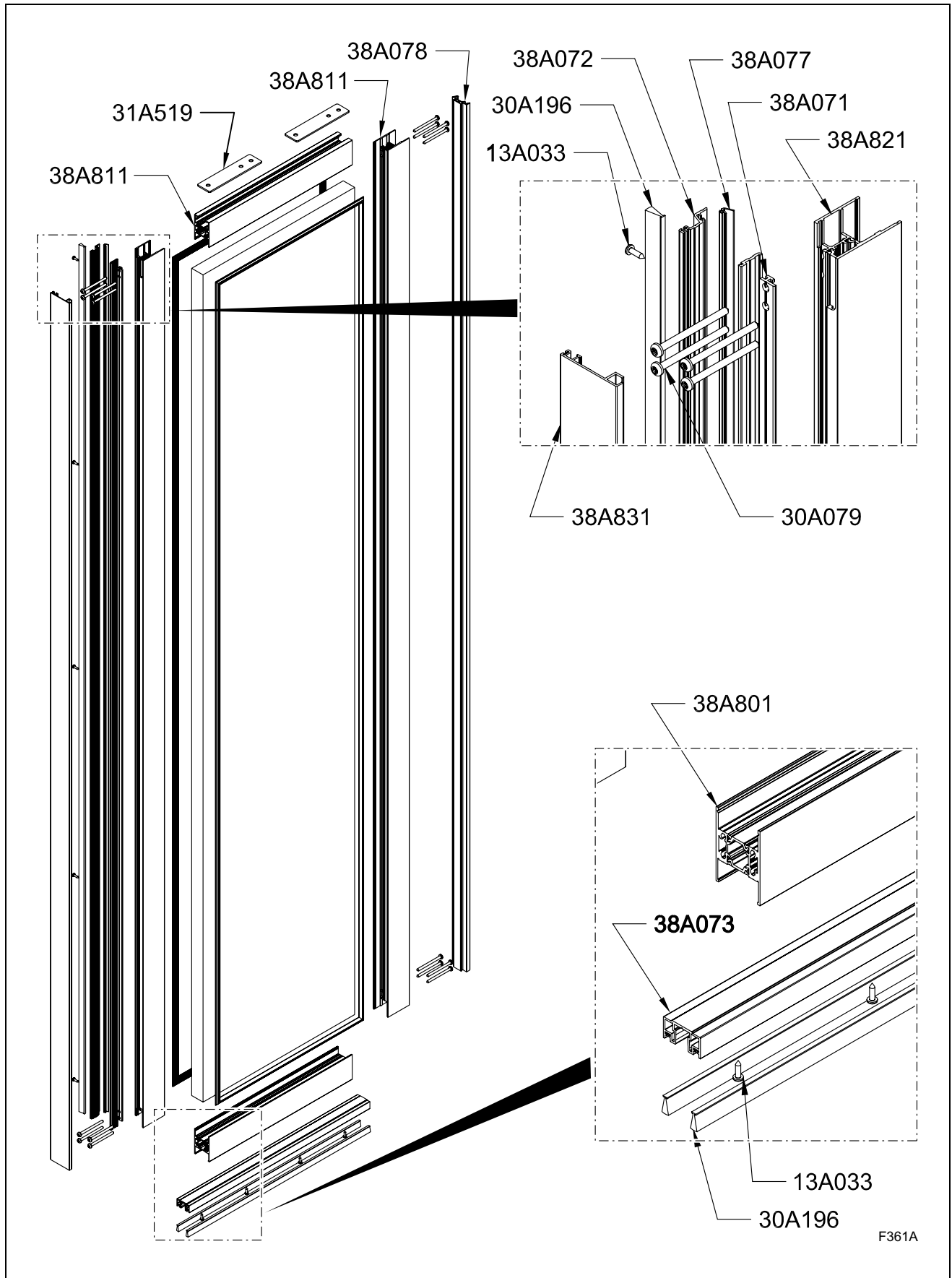


E361F



**2** MOVING LEAVES

Exploded view of moving leaves



## Moving leaves assembly

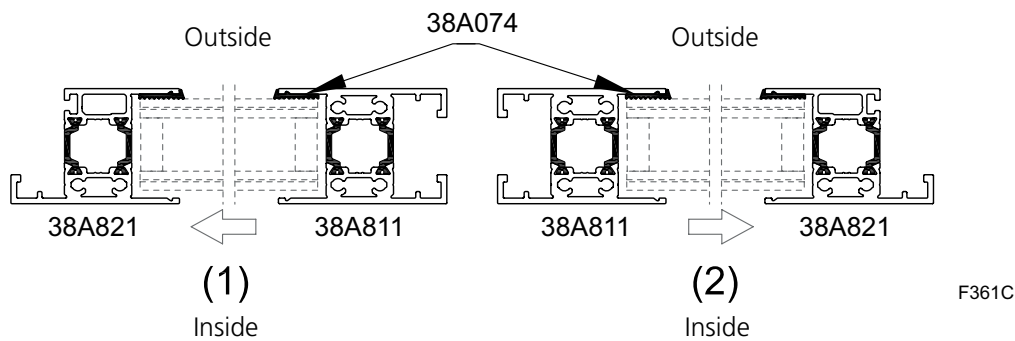
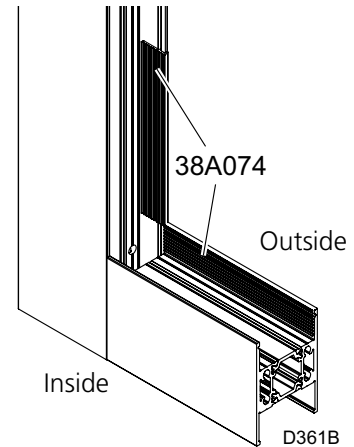
☞ The profiles are delivered from the factory cut and machined to the size of the glass, ready for assembly.

- 1 Place the glazing rubber with adhesive (38A074) in the frame on the cold side of the profile (see the drawing).

Assemble the frames correctly, taking into account the location of the moving leaf in the facility (viewed from inside):

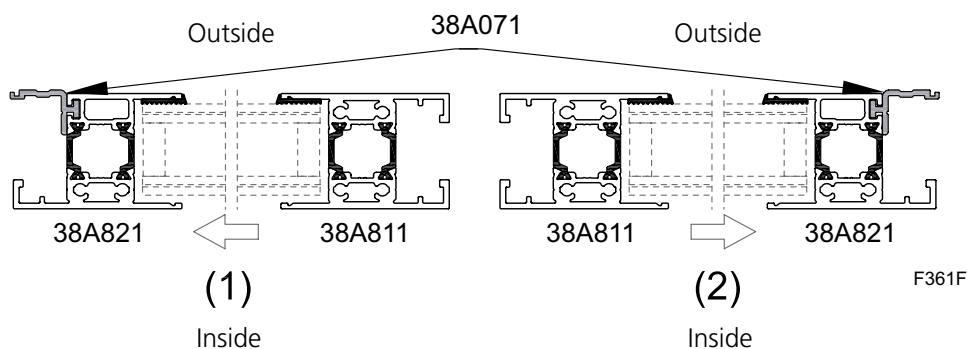
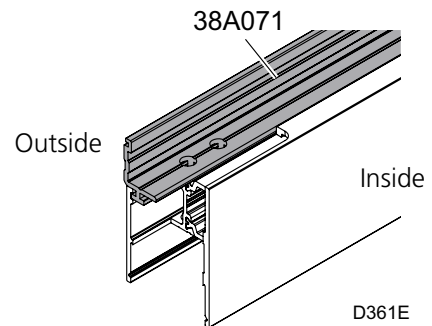
- 1: moving leaf on the left
- 2: moving leaf on the right

- ☞ Fit the rubber piece throughout the entire length, except where the profiles come together.
- ☞ Avoid any overlapping of the rubbers in the area where the frames come together.



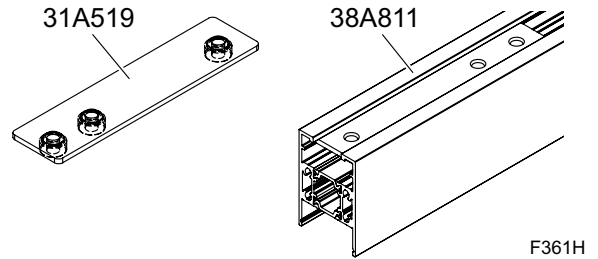
- 2 Insert the PVC rigid L-piece (38A071) in the overlap frame (38A821). Machine the holes in the PVC profile, matching the holes in the aluminium profile.

- ☞ Opening direction as seen from the inside of the moving leaf (1: left, 2: right) must be taken into account in order to position the PVC profile correctly.



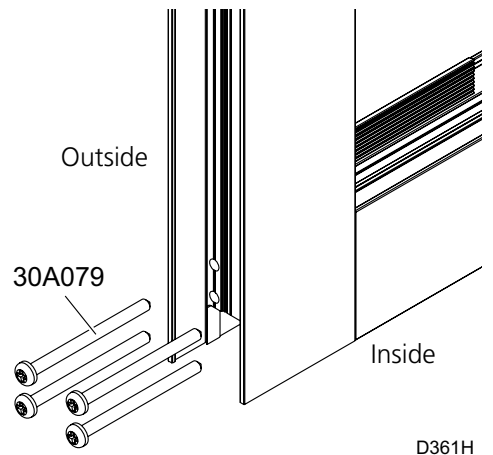
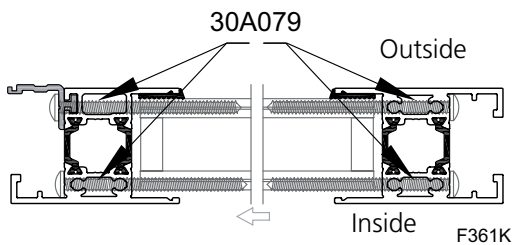
**3** Introduce two couplings (31A519) for the carriages in the top horizontal frame (38A811).

☞ Ensure that the nuts of the hooks are pointing towards the inside of the frame.

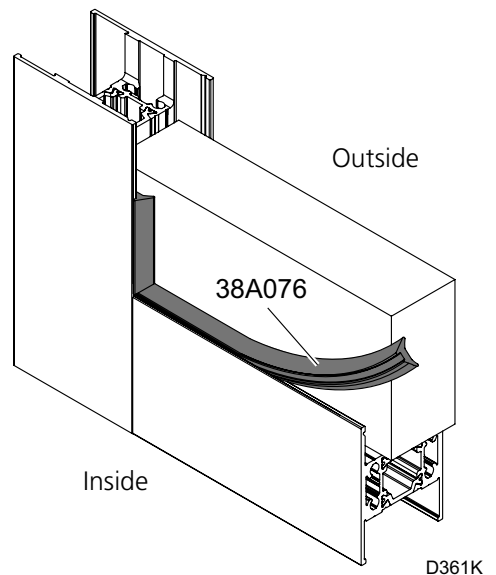
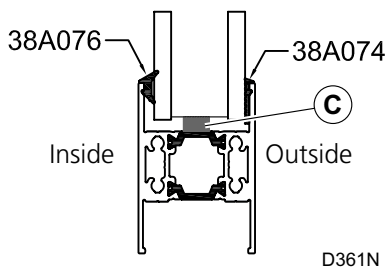
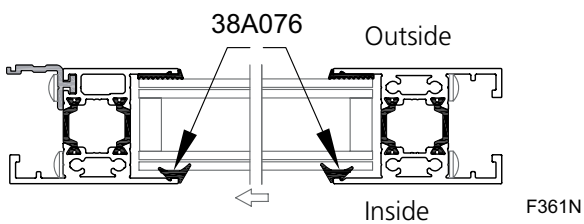


**4** Place the profiles around the glass and bolt the frames (4 bolts in each end).

☞ Use 3 mm-high glazing shims (C) in the frames to support the glass. Do not place the glass directly on the frames.

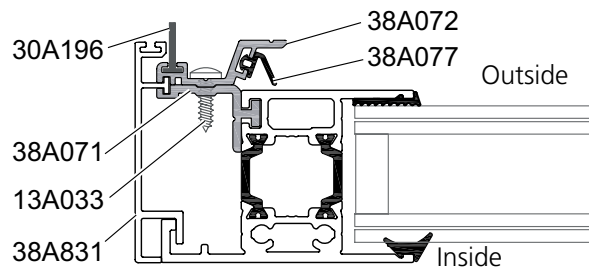


**5** Fit 3 mm shim (38A076).

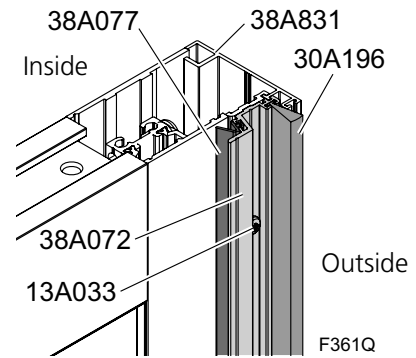


**6** Fit the overlapping profile (38A831).

Fasten the profile by joining the PVC cross profile (38A072) with the PVC rigid L-piece (38A071) using self-tapping bolts (13A033). Insert the overlap rubber (38A077) and the brush (30A196).

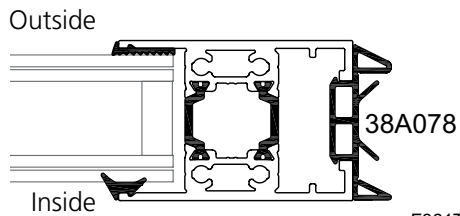


F361P

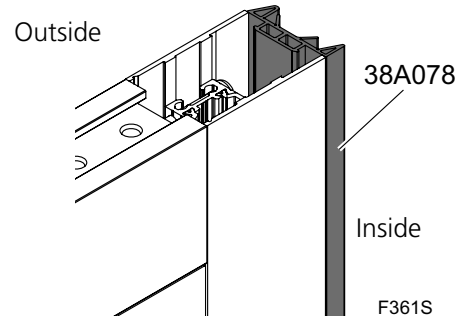


F361Q

**7** Fit the meeting rubber (38A078).

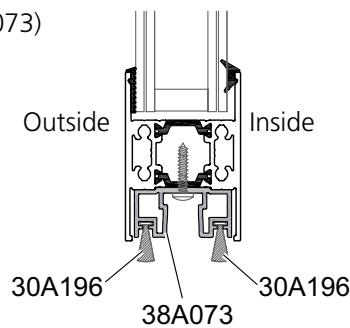


F361T

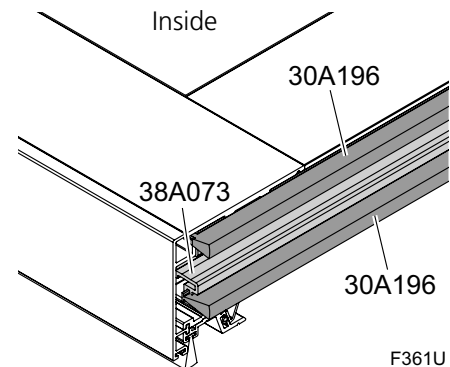


F361S

**8** Fit the PVC bottom guide (38A073) plus the brush (30A196).



F361V

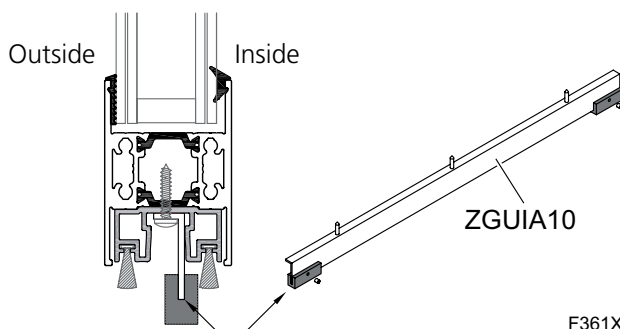


F361U

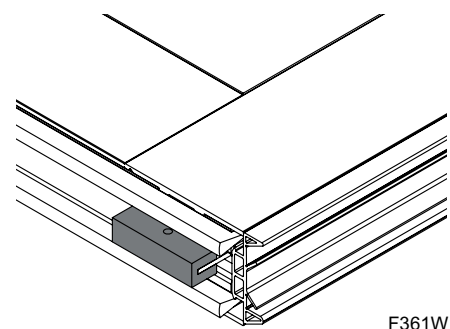


**9** Fit the THERM40 reverse guide: if the door has a recessed guide, the ZGUIA10 reverse guide must be fastened to the bottom PVC guide.

☞ Fit the ZGUIA10 reverse guide with the angle facing towards the inside of the building.



F361X

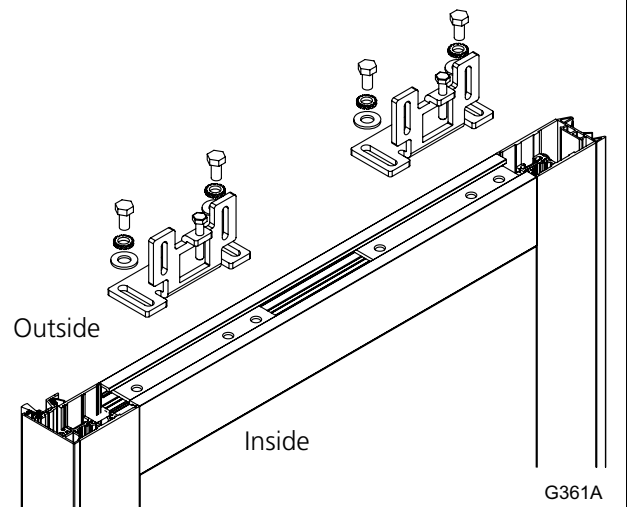
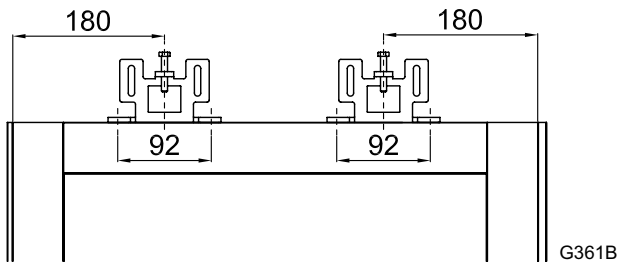


F361W

## Moving leaves installation

**1** Fasten the leading edges to the moving leaves.

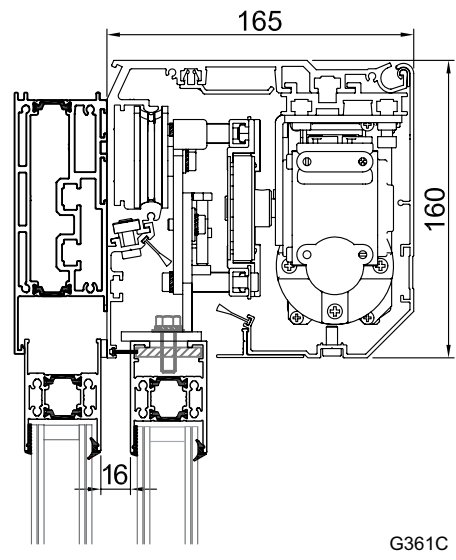
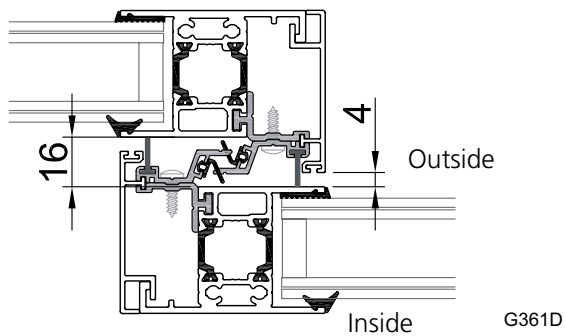
The centre of the leading edges should be approx. 180 mm from the sides of the moving leaf.



**2** Hang the moving leaves on the carriages.

Fasten the leading edges to the carriages with two M6 Allen bolts + toothed washers + flat washers.

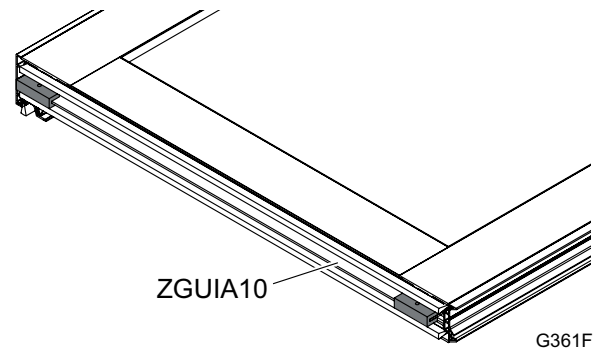
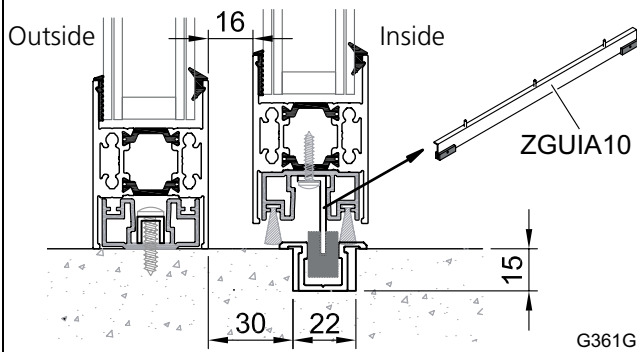
Position the moving leaf 4 mm from the meeting profile (and 16 mm from the fixed leaf).



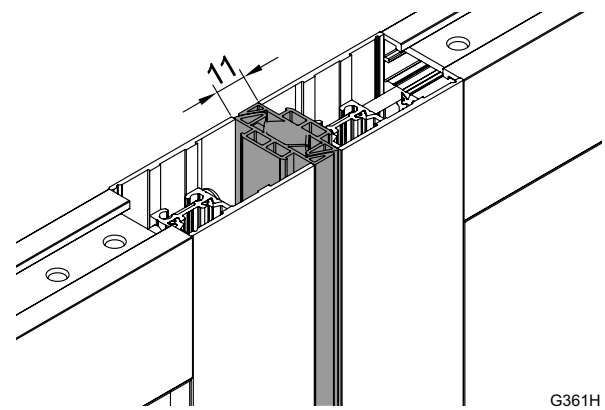
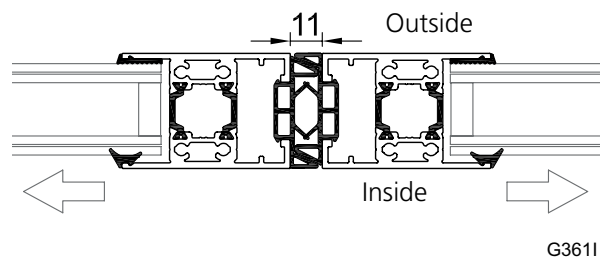


**3.a RECESSED GUIDE (standard)**

3.a.1 Fix the ZGUIA10 guide profile to the moving leaf (if not done previously). Install the recessed guide in the floor as per the drawing.



3.b.2 Check that the meeting point between the two moving leaves is correct.

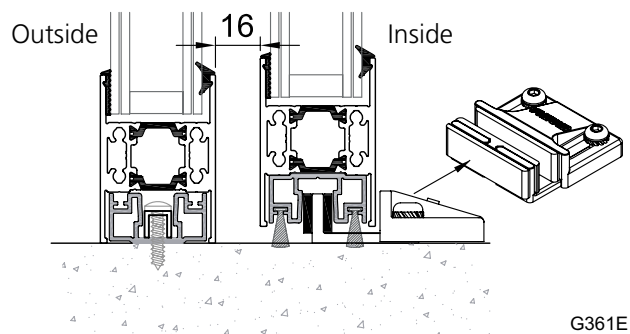


**3.b SURFACE GUIDE (Optional)**

3.b.1 Move the moving leaf until a 90° angle is found, checking with a level. Then position the floor guide at the end of the fixed leaf.

3.b.2 Make a mark on the floor when the leaf is level.

3.b.3 Then fasten the guide to the floor and slide the leaf over the guide.

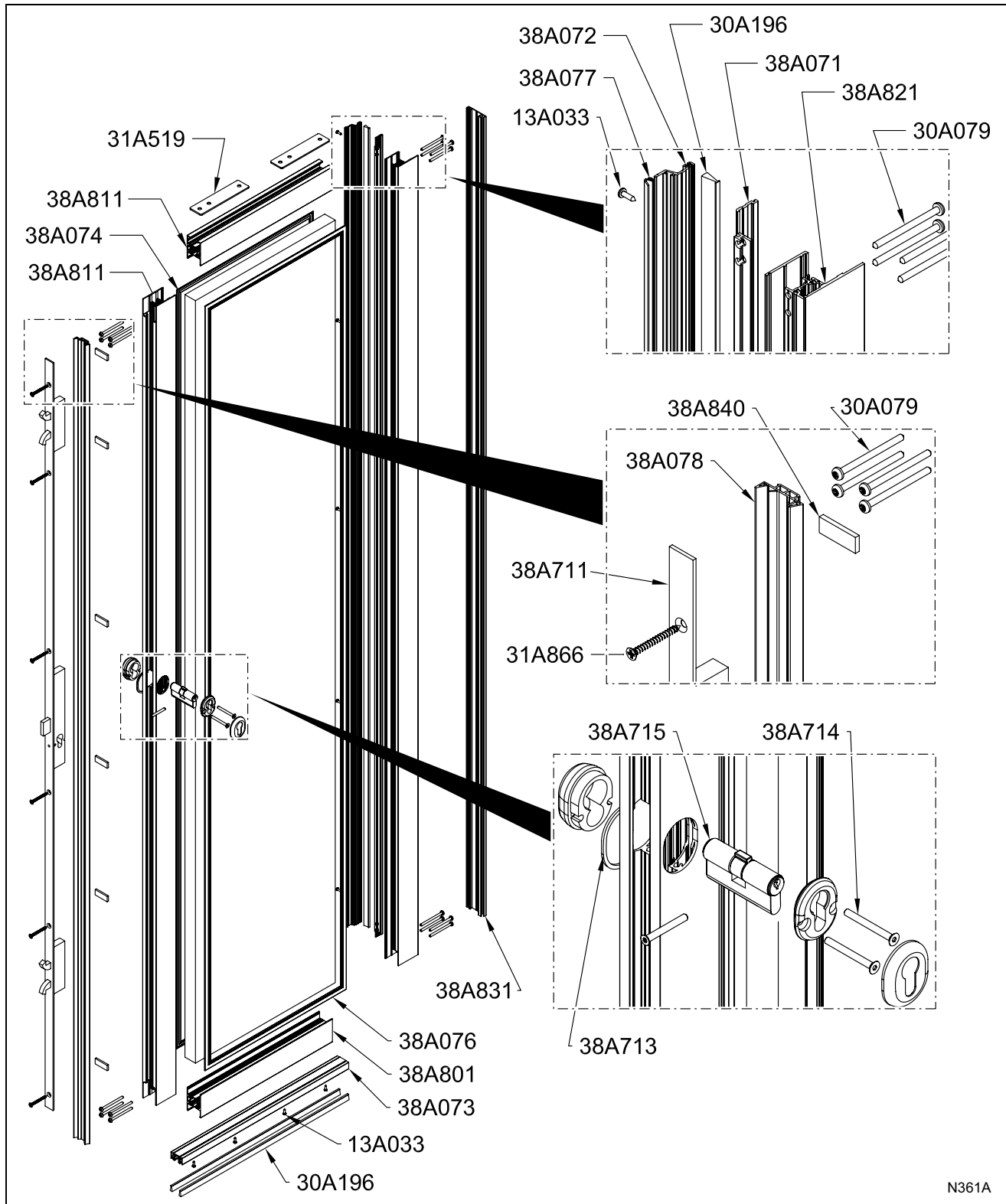


## 1 FIXED LEAVES

THERM40 Multilock fixed leaves are the same as standard THERM40 fixed leaves; see the relevant sections. Assembly and installation are the same as for standard THERM40 fixed leaves.

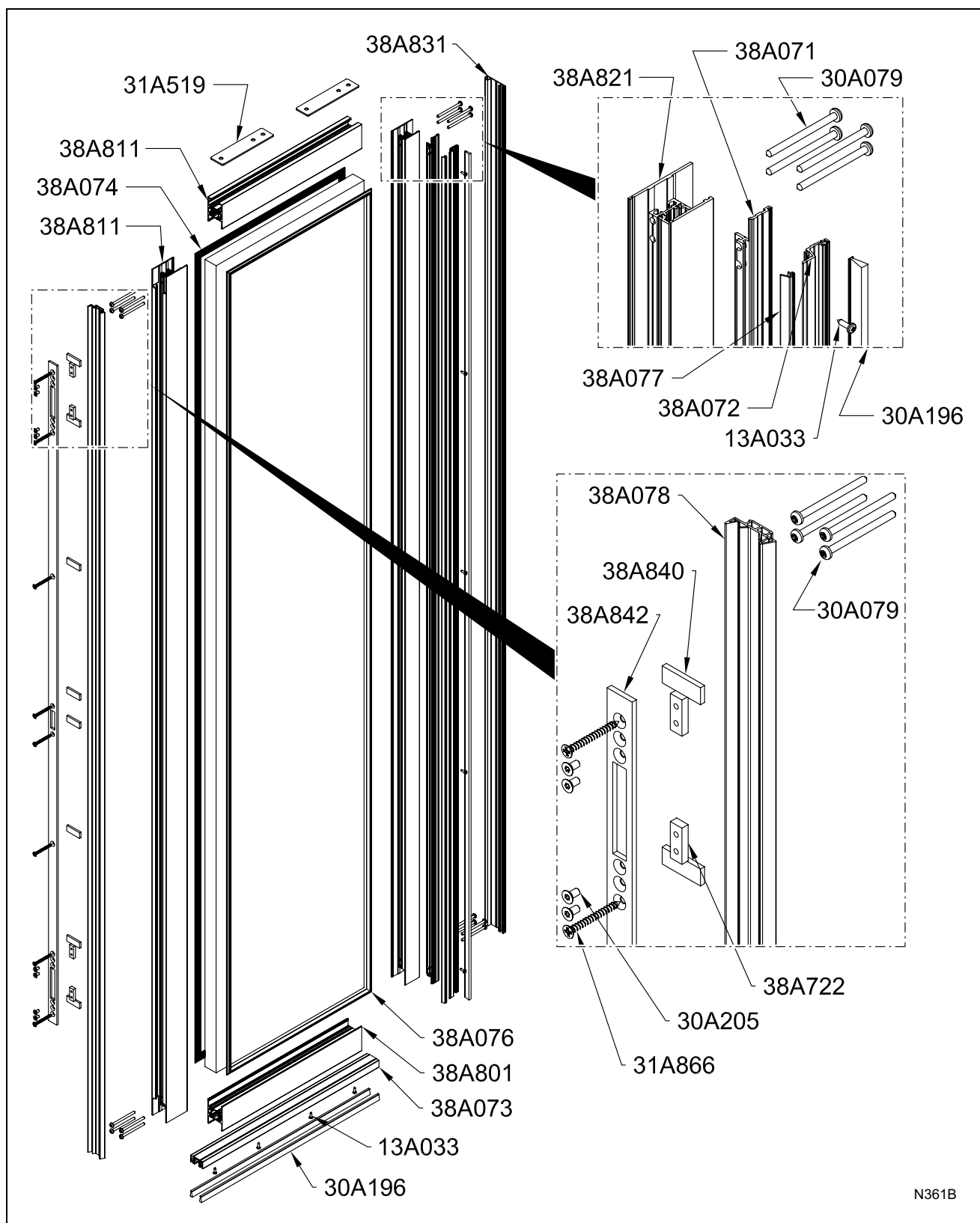
## 2 MOVING LEAVES

### Exploded view moving leaf with lock



N361A

Exploded view moving leaf with striker



## Moving leaves assembly

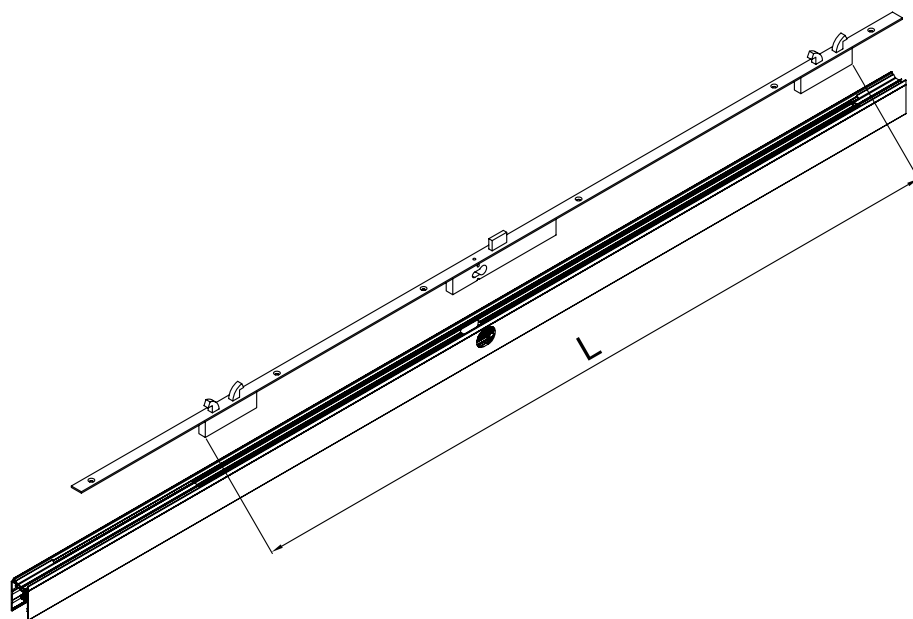
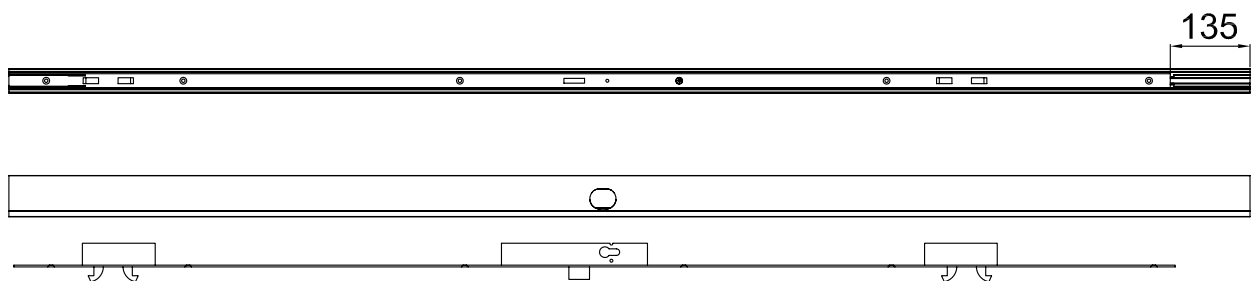
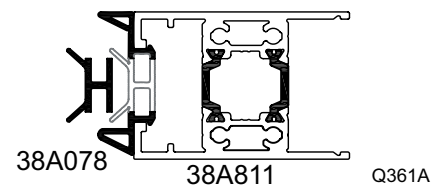
- ✎ THERM40 Multilock moving leaves are assembled in the same way as THERM40 standard moving leaves, except for the lock and the strike plate, which are shown below.

## Lock assembly

- ✎ The lock is supplied factory-mounted, ready to be assembled in the profiles.

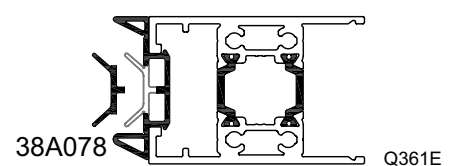
- 1 Place the meeting rubber (38A078) in the meeting frame (38A811).

Make housings in the meeting rubber, matching those in the profile.

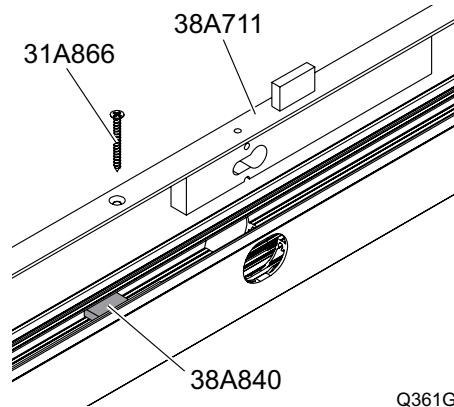
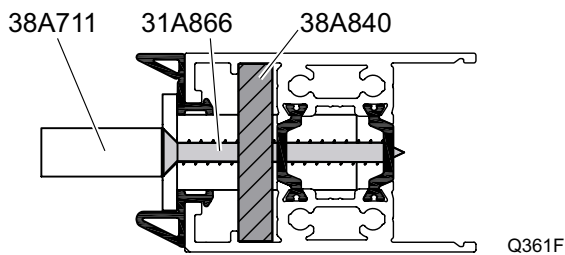


Q361B

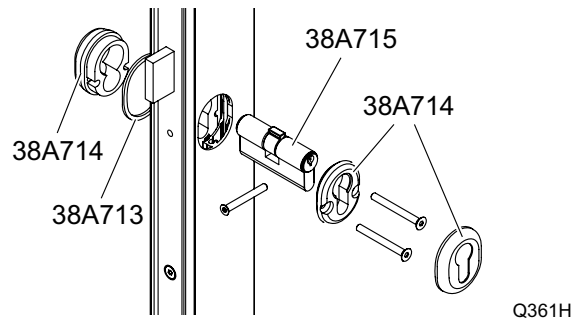
- 2 Cut the first line of the meeting rubber (38A078) throughout the whole length between the housings (see drawing).



- 3** Fasten the lock (38A711) using the nut anchors (38A840) and the 5x50 lag bolts (31A866).



- 4** Fit the cylinder (38A715), the decorative ring (38A713), and the cover plates (38A714).

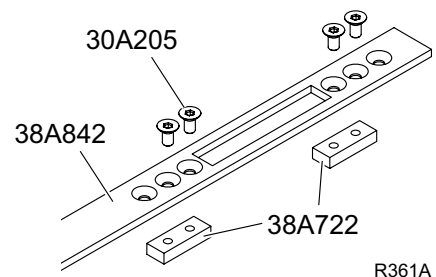


☞ The rest of the assembly is the same as for a THERM40 standard moving leaf; see the relevant sections.

## Striker assembly

☞ The strike plate is supplied factory-mounted, ready to be assembled into the profiles.

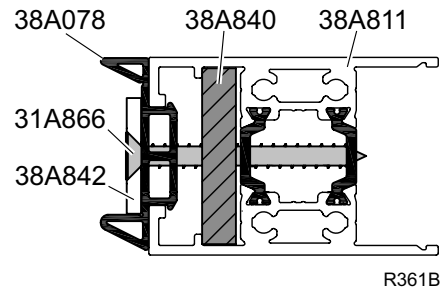
- 1** Secure the shims (38A722) to the strike plate (38A842) using the screws (30A205).



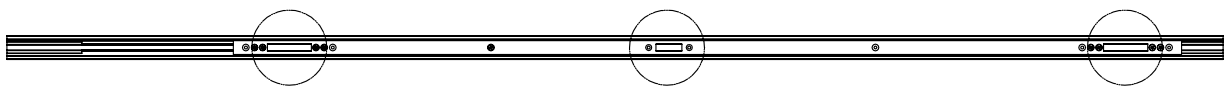
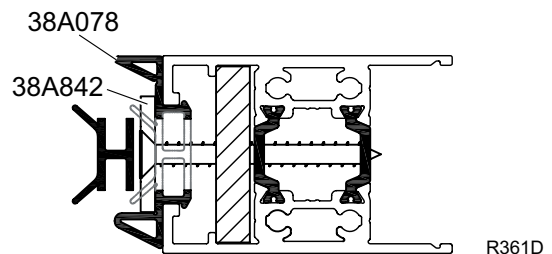
- 2** Place the meeting rubber (38A078) in the meeting frame (38A811).

Position the striker (38A842) in the meeting frame. The distance from the base of the frame to the base of the striker must be 391 mm.

Fasten the striker using the nut anchors (38A840) and the 5x50 lag bolts (31A866).



- 3** Make housings in the meeting rubber, matching the holes in the lock (38A842), and insert the lock's tabs.

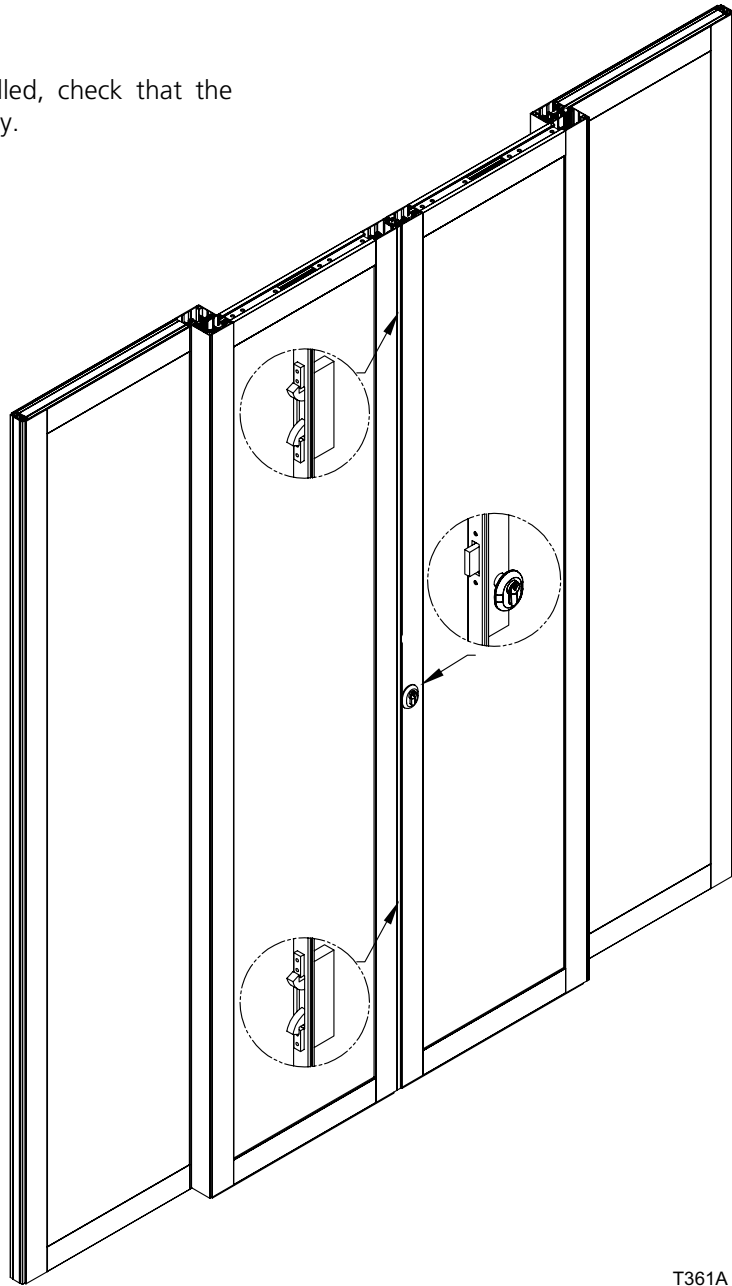


☞ The rest of the assembly is the same as for a THERM40 standard moving leaf (see the relevant sections).

## Moving leaves installation

☞ THERM40 Multilock moving leaves are installed in the same way as THERM40 standard leaves; see the relevant sections.

- ☞ Once the leaves have been installed, check that the mechanical lock is working correctly.



T361A



---

## 1 MAINTENANCE

---

Automatic door installations require regular maintenance, with regularity determined by environmental conditions and traffic density.

- Check that all the fastening screws are tight.
- Clean and lubricate all sliding and moving components.
- Check that the leaf is stable and that the movement is fluid and frictionless from "door open" position to "door closed" position.

**▲ Any component that is damaged or worn must be replaced! Use only original spare parts. First check ERREKA's catalogue.**

**▲ These maintenance tasks refer only to the door. See the operator's guide for the maintenance required by the operator.**

---

## 2 WARRANTY

---

ERREKA Connected Access declares, under its sole responsibility, that the products supplied have a warranty lasting 12 months from the date of purchase (Work Delivery Protocol Date). This warranty applies to any manufacturing defect and will include the cost of transporting the material to the closest certified technical service.

The installer is responsible for delivering the equipment to the technical service.

This warranty does not include:

- Damage caused by incorrect installation or use of the equipment.
- Damage caused by handling by unauthorised personnel.
- Damage caused by external or atmospheric agents (lightning, floods, etc.).









ERREKA GROUP  
Bº Ibarreta s/n  
20577 Antzuola (Gipuzkoa) España  
T. (+34) 943786009  
info@erreka.com  
www.erreka.com

ERREKA CONNECTED ACCESS  
Polig. Ind. San Juan,  
B. San Juan, 93  
20570 Bergara (Gipuzkoa) España  
T. (+34) 943769900