

ECO32



PROFILE

Framed Doors



SLIDING
DOORS



Suitable solution where energy efficiency is a key issue.

The ECO32 model has been designed in accordance with safety standards EN16005, EN16361 (safety distances).

It is a 32 mm wide framed profile to install single glass up to 12 mm thick, or double glass 22 mm, 24 mm thick, being considered a robust profile but with a fairly light aesthetic.

This is a suitable model for entrances where it is necessary to maintain medium levels of airtightness while keeping a clear view of the interior, with glass being the main element.

Assembly of the frames at 90° is carried out on an end-to-end joint, with sheet metal screws on a reinforcement wedge. Side U-profiles are included to mitigate any slams or wall imperfections.

Overlap is by means of an overlap profile on the fixed side door leaves plus double-facing rubber, for better sealing. The closing rubber has double protrusion to ensure a better closure.

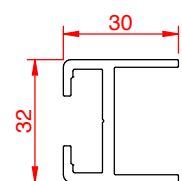
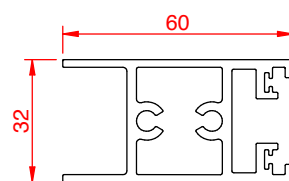
In installations where there is only one moving leaf, a frame profile is fixed to the wall, attaching a weatherstrip for a better seal.

This profile, in its Security and Multilock versions, allows the installation of mechanical manual locks (single and multi-point) embedded in the closing profiles.

STRAIGHTFORWARD INSTALLATION

EASY ASSEMBLY

SUITABLE FOR THE OPERATORS ERTAIN, GLOBAL AND TELESCOPIC



EC032

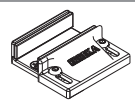
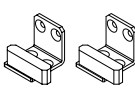
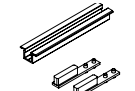
PROFILE

TECHNICAL FEATURES

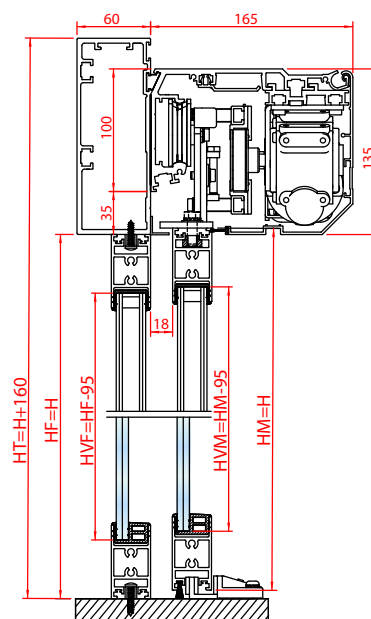
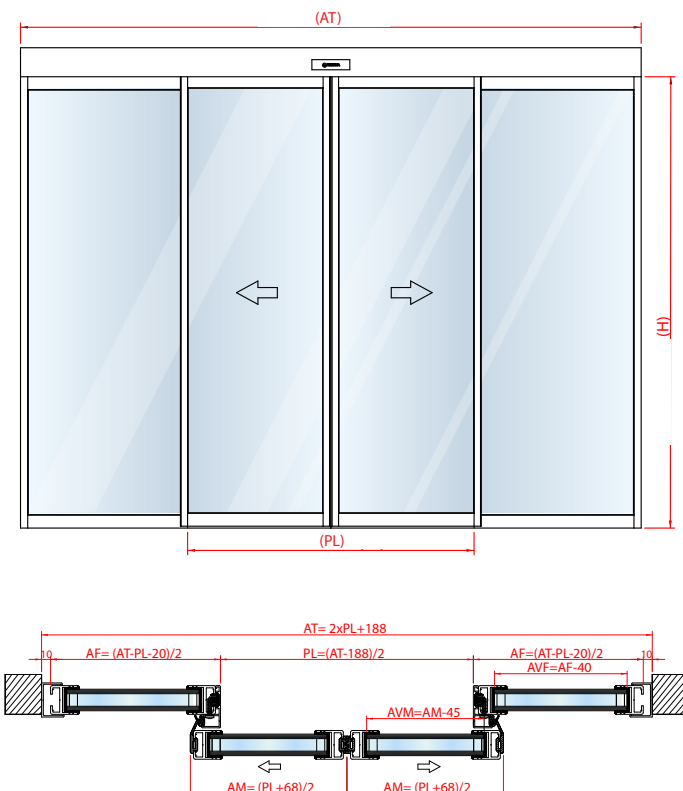
	EC032
Dimensions: Depth (D) x Height (H)	Horizontal profile 32 mm x 60 mm
	Vertical profile 32 mm x 30 mm
Material	aluminium
Standard colour	silver*
Max. door leaf size	3000 mm / 160kg
Leaf width	Mín. 500 mm - Máx.2000 mm
Glass fastening	framed profile
Fastening to carrier	fastening nuts and adjustable carrier bracket
Glass thickness	ISO22 mm (6 mm + 10 mm air chamber + 6 mm)
	ISO24 mm (6 mm + 10 mm air chamber + 8 mm)
Mechanical manual lock	Eco Security, Eco Multilock

ACCESSORIES

TYPES OF FLOOR GUIDES

GUIA01	Outer floor guide		It is suitable for linear sliding doors.
KIT GUIA 2+1 e	Inner floor guide (set of 2)		It is suitable for linear and telescopic sliding doors.
KIT EMPOTRAR	Underground guide (set)		It is suitable for linear and telescopic sliding doors. Two fixing points for each moving leaf

INSTALLATION LAYOUT



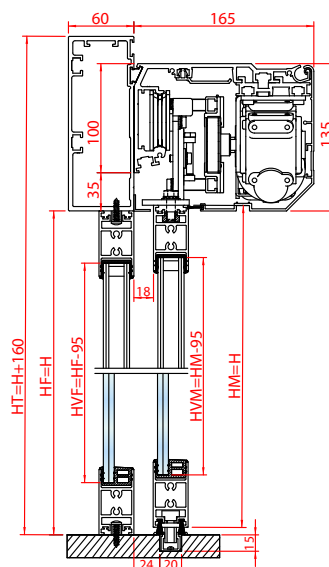
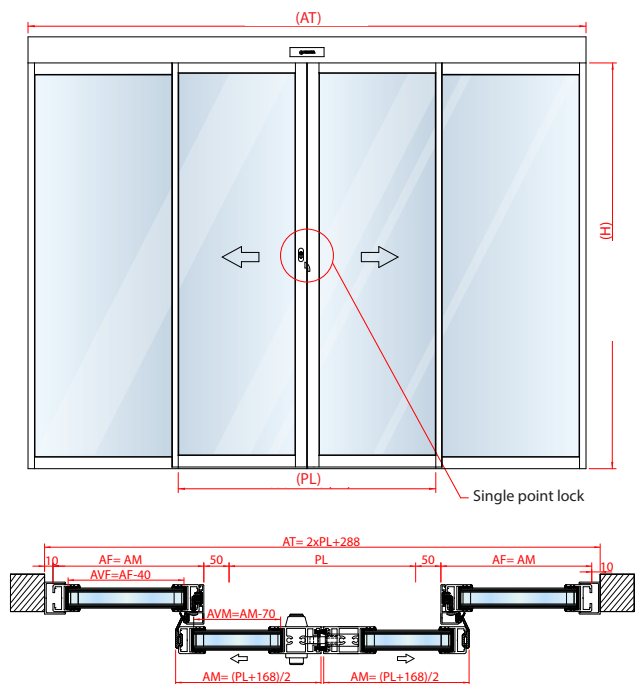
ECO32

PROFILE

ECO32 SECURITY

The ECO32 SECURITY is the ECO 32 framed profile system, adding a hook-bolt lock with European cylinder built-in the vertical hollow profile.

The ZSEG11 hook-bolt lock is a single point manual locking mechanism that allows the door to be locked and unlocked securely and quickly.



ECO32 MULTILOCK

The ECO32 MULTILOCK is the ECO 32 framed profile system adding a three point hook bolt lock built-in the vertical hollow profile.

The ZSEG12 hook-bolt lock is a three point manual locking mechanism which allows the door be locked and unlocked securely and quickly.

