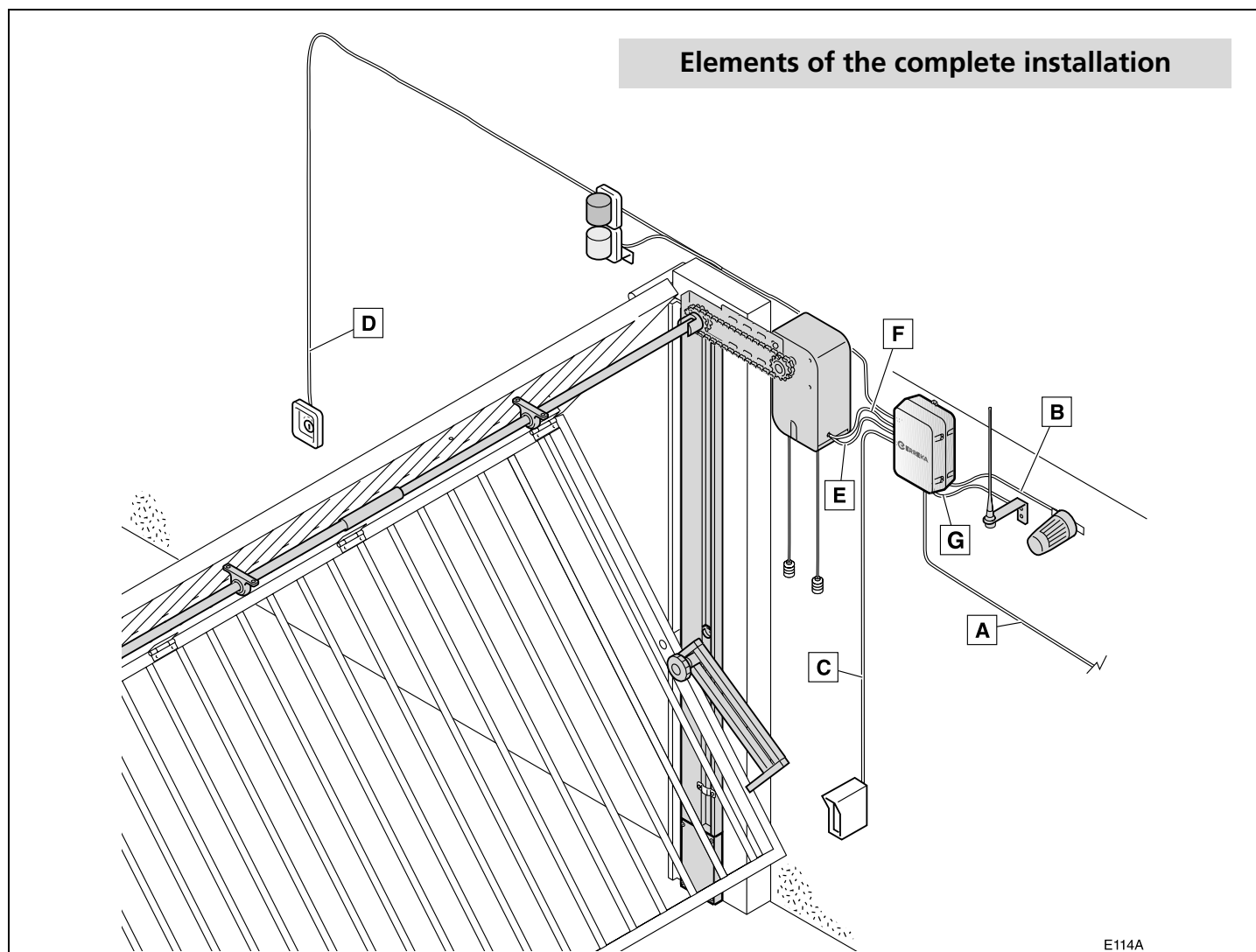


This quick guide is a summary of the complete installation manual. The manual contains safety warnings and other explanations which must be taken into account. The most recent versions of this guide and the installation manual are available at the "Downloads" section on Erreka's website.
<http://www.erreka-automation.com>

WARNING

The options and functions described in this guide apply for the firmware version indicated on the circuit. The firmware, as part of a process of continuous improvement, is subject to new functionalities or upgrades being included as a result of new versions which are not necessarily compatible with previous ones. For this reason, some options or functions may differ or be unavailable if your firmware is older than shown in this guide.



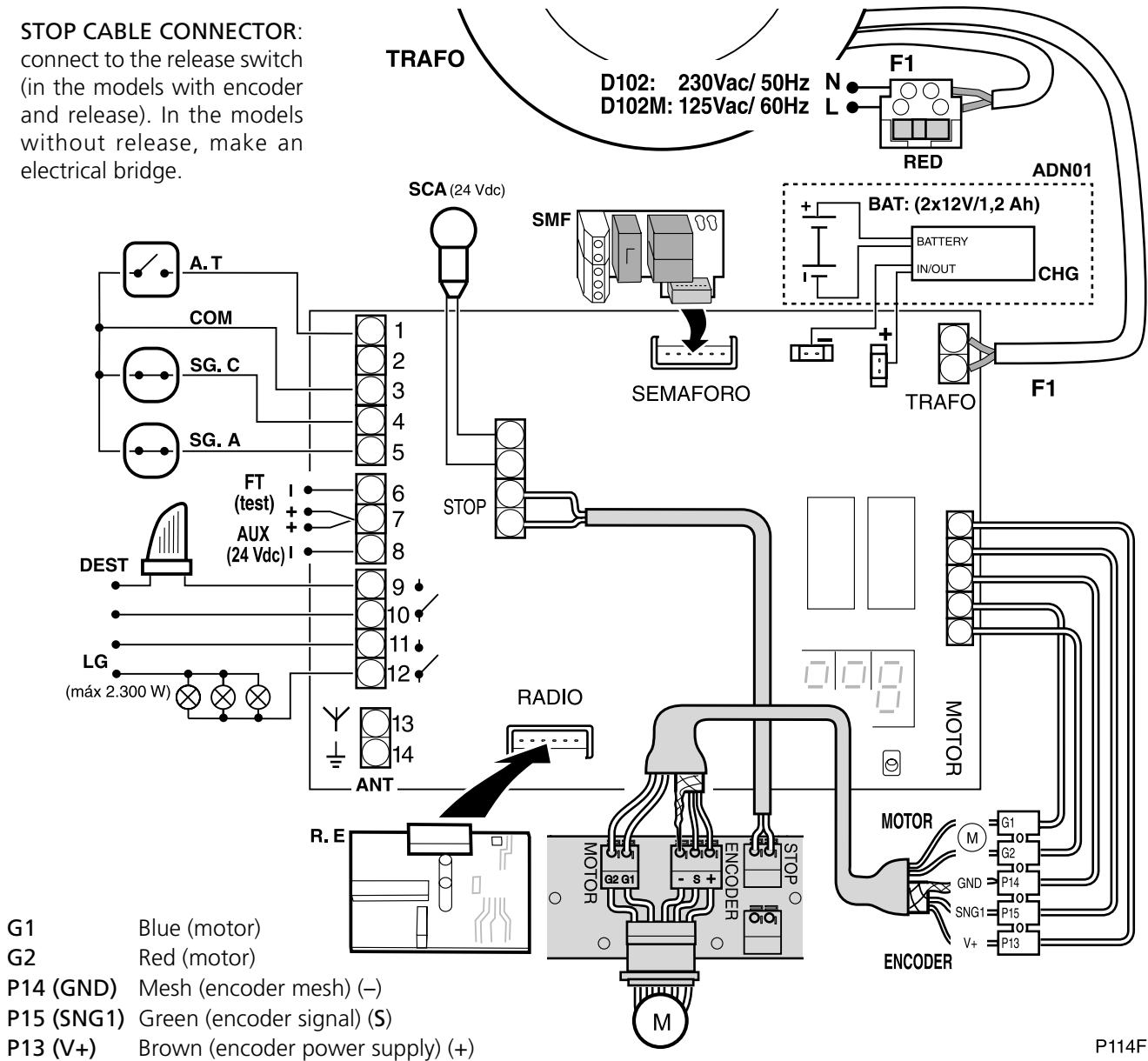
E114A

ELECTRICAL CABLING:

Element	N° threads x section	Maximum length
A: Main power supply	3x1.5mm ²	30m
B: Flashing light / Traffic light	2x0.5mm ² / 3x0.5mm ²	20m
C: Photocells (Tx / Rx)	2x0.5mm ² / 4x0.5mm ²	30m
D: Pushbutton/wall key	2x0.5mm ²	50m
E: Operator (motor + encoder)	Duct (2x1mm ² + interior screened duct 2x0.5mm ²)	8m (maximum 25m with cable 2x2.5mm ²)
F: Operator release	2x0.5mm ²	25m
G: Antenna	Coaxial cable 50Ω (RG-58/U)	5m

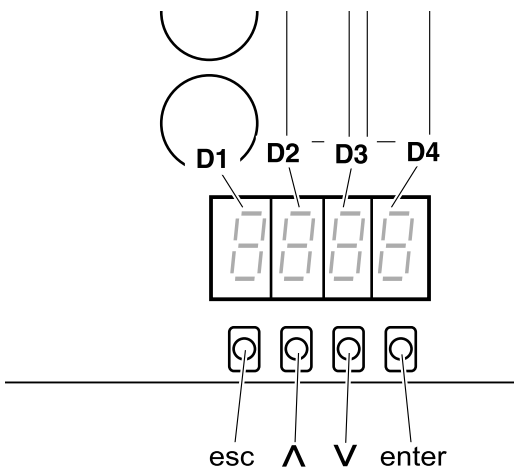
General connections

STOP CABLE CONNECTOR:
connect to the release switch (in the models with encoder and release). In the models without release, make an electrical bridge.



P114F

Display indications



M114C

D1 and D2:

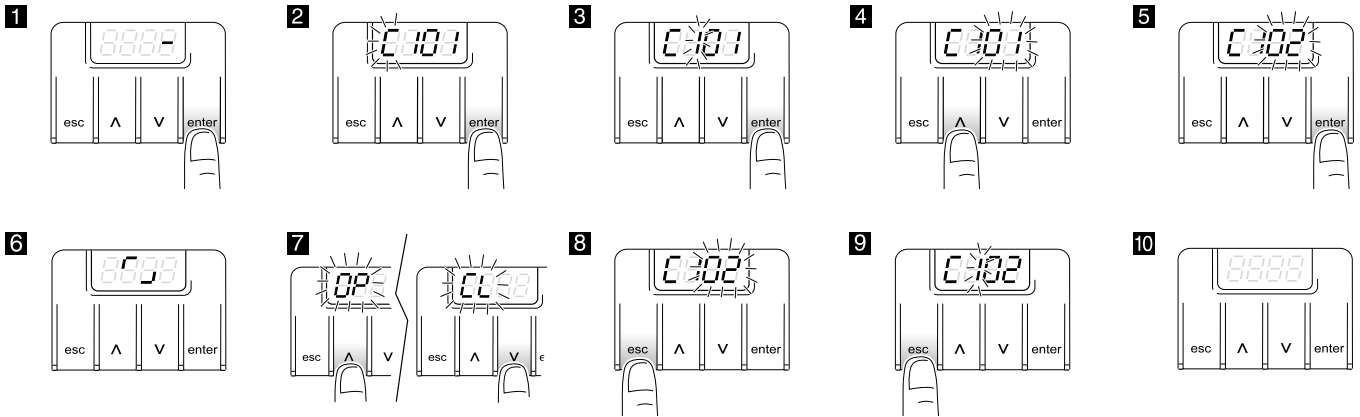
CL (static)	Door closed
CL (flashing)	Door closing
OP (static)	Door open
OP (flashing)	Door opening
XX (countdown)	Door on standby
StOP	Operator unlocked
PR (static)	Pause (operation not complete)
rS (static)	Door searching for close position

D3 and D4:

CL	Opening safety device (pedestrian door) activated
CS	Closing safety device activated
E I	Encoder motor shutdown
F I	Thrust limit exceeded
bR	Battery working
Ft no	Photocells defective (pre-testing)

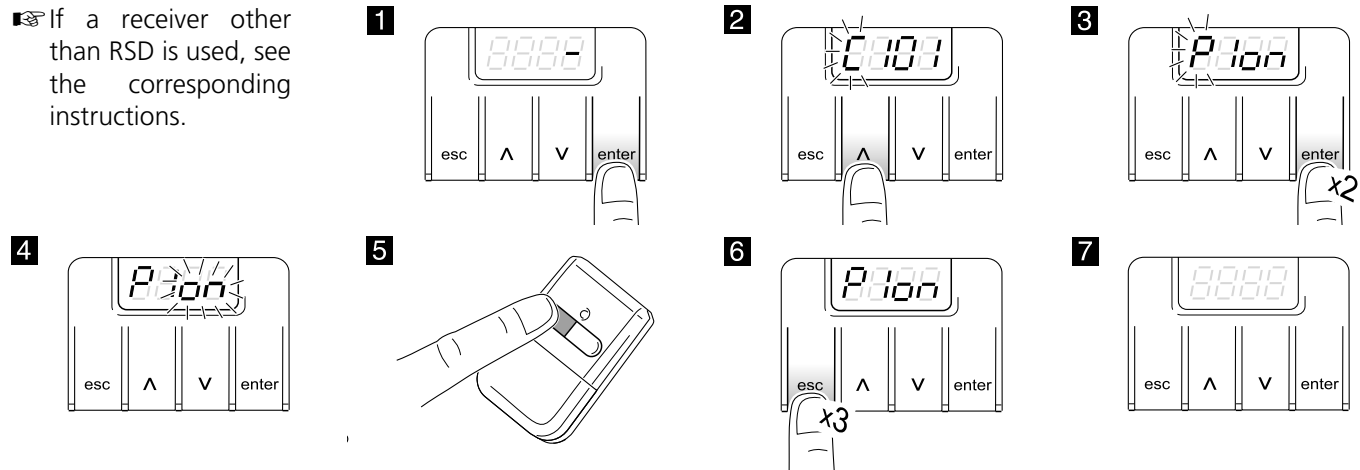
Turning direction change and check (C I)

☞ This operation is only necessary if the operator opens the gate instead of closing it when making a reset (r5).



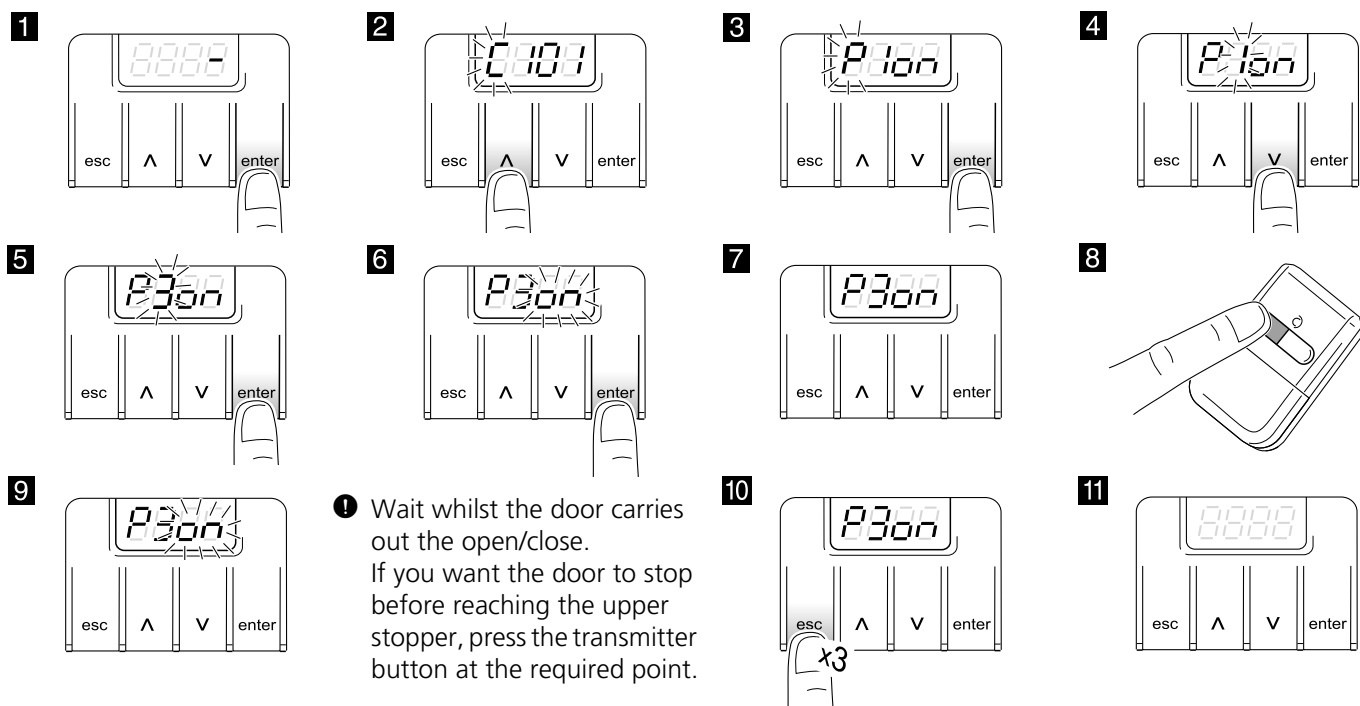
Radio code programming, P I (only with RSD receiver)

☞ If a receiver other than RSD is used, see the corresponding instructions.


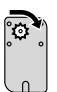


Open/close programming (P3)

⚠ The lower closing stopper must be installed before programming the run (see the operator manual).



Complete programming chart

D1	D2	Parameter	D3	D4	Pre-determined option	Options or values			
E	1	Motor turning direction	0	1	x				
			0	2					
	4	Opening safety device (contact in the pedestrian door). Prevents the main door opening from starting	0	0	x	Device not installed			
			0	1		Device installed			
	5	Closing safety device (photocell or strip)	0	0	x	Device not installed			
1			0		Device without testing				
1			1		Device with testing				
P	1	Total opening radio code programming	o	n					
	2					Disabled			
	3	Door open/close programming	o	n					
F	1	Functioning mode	0	1		Automatic			
			0	2	x	Step-by-step			
	2	Standby in automatic mode	0...5	0...9	15	59 = 59 sec; 25 = 2 min. 50 sec., etc			
	3					Disabled			
R	0	Flashing light	0	1	x	No pre-warning			
			0	2		With pre-warning			
	1	Garage light time	0...5	0...9	03	59 = 59 sec; 25 = 2 min. 50 sec., etc			
	2	Door speed	0	1...5	03	0 1: minimum speed; 05: maximum speed			
						0 1: minimum speed; 05: maximum speed			
	3	Slowdown speed	0	1...5	03	0 1: minimum speed; 05: maximum speed			
	4	Slowdown distance	0	0...5	00	00: minimum distance; 05: maximum distance			
	5	Reverse after closing (prevents the operator from seizing up on the stopper)	0	0...9	0 1	00: no reverse; 09: maximum reverse			
	6	Maximum thrust	1...9	X	6X	1X: minimum thrust (in opening); 9X: maximum thrust (in opening)			
						X 1: minimum thrust (in closing); X9: maximum thrust (in closing)			
	7	Closing photocell used during standby (in automatic mode only)	0	1		Immediate close			
						0	2	x	Restart standby time
						0	3		Has no effect
8	Pushbutton operation during standby (in automatic mode only)	0	1		Immediate close				
					0	2	x	Restart standby time	
					0	3		Has no effect	
9	Opening mode	0	1	x	Opening in accordance with the mode selected in the main functions (F)				
					0	2		Collective opening (the control board does not obey the key commands during opening)	
					0	3		Step-by-step opening (the door halts if a key device is activated during opening. The door closes when operated again)	
n	1	Operations carried out	X	X		Indicates the cycles completed, multiplying the indicated figure by an amount, for example: 68 indicates 6,800 cycles completed 68 indicates 68,000 cycles completed			