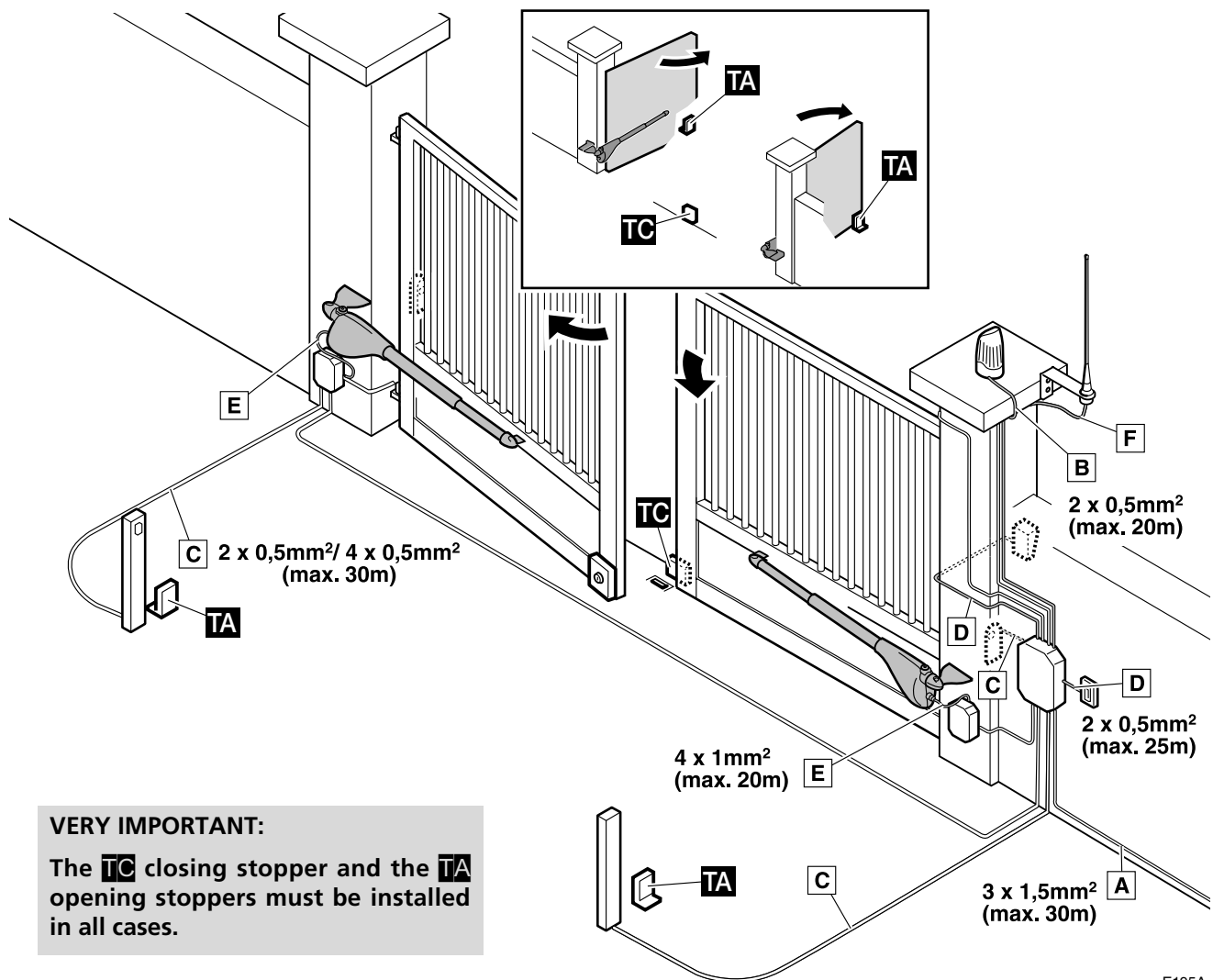


IMPORTANT NOTE

This quick guide is a summary of the complete installation manual. The manual contains safety warnings and other explanations which must be taken into account. The installation manual can be downloaded by going to the "Downloads" section of Erreka website:
<http://www.erreka.com/Automatismos/descargaDocumentos.aspx>

Elements of the complete installation



E195A

Electrical wiring

- A: Main power supply
- B: Flashing light
- C: Photocells (Tx / Rx)
- D :Pushbutton or key switch
- E: Operator
- F: Antenna

☞ We recommend using an electrolock for leaf lengths of over 1.8m.

Mounting positions and levels, inward opening

CA43-CA43M (short)

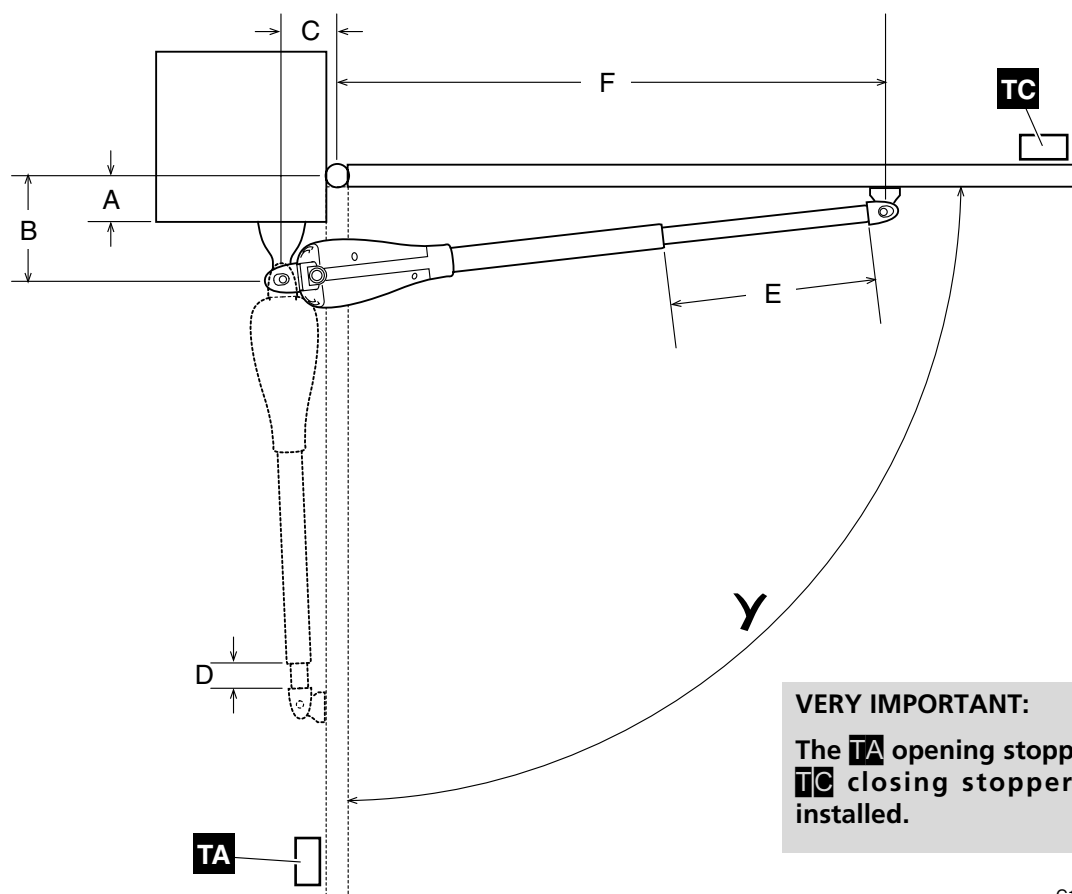
γ (°)	A (mm)	B (mm)	C (mm)	F (mm)
90	20	130	130	1010
	40	150	140	1000
	60	170	150	990
	80	190	150	980
	100	200	150	980
	120	210	140	980
	140	250	120	1010
100	20	130	170	970
	40	150	180	960
	60	170	180	960
	80	190	170	970
	100	210	140	990
110	20	130	190	950
	40	150	180	960
	50	160	170	970

CA53-CA53M (long)

γ (°)	A (mm)	B (mm)	C (mm)	F (mm)
90	20	130	170	1200
	40	150	180	1190
	60	170	180	1190
	80	190	190	1180
	100	210	190	1170
	120	230	190	1170
	140	250	180	1170
	160	270	190	1170
	180	290	170	1180
	100	20	130	160
40		150	170	1200
60		170	170	1200
80		200	180	1190
100		210	170	1190
120		230	190	1170
140		250	180	1180
160		270	160	1200
170		280	160	1200
110		20	130	170
	40	150	180	1190
	60	170	180	1190
	80	190	190	1180
	100	210	200	1170
	110	220	200	1170

D: minimum 56mm

E: CA43(M): maximum 456mm;
CA53(M): maximum 556mm



VERY IMPORTANT:

The **TA** opening stoppers and the **TC** closing stoppers must be installed.

Mounting positions and levels, outward opening

CA43-CA43M (short)

γ (°)	A (mm)	B (mm)	C (mm)	F (mm)
80	30	110-130	90	949
85	30	110-130	100	967
90	30	110-130	110	986
95	30	110-130	120	1006
100	30	110-130	130	1027
110	30	110-130	140	1057

CA53-CA53M (long)

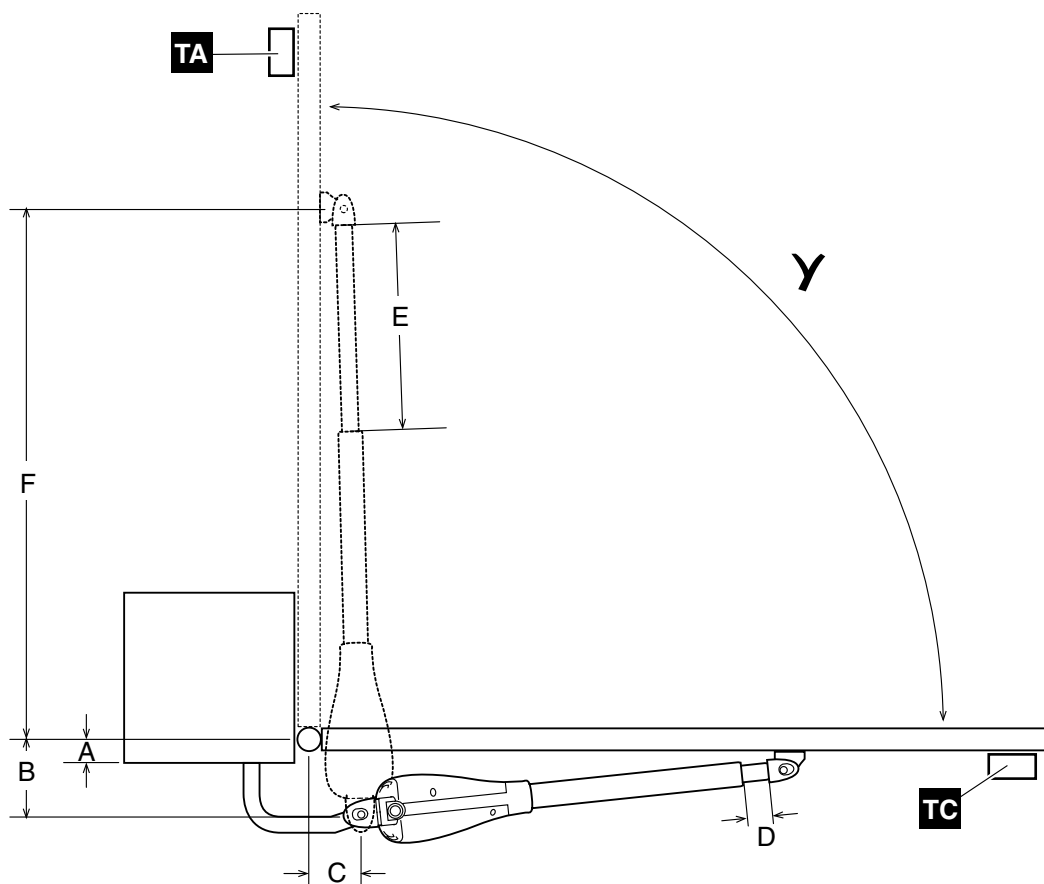
γ (°)	A (mm)	B (mm)	C (mm)	F (mm)
80	30	130	100	995
85	30	130	110	1005
90	30	130	120	1015
95	30	130	130	1025
100	30	130	140	1035
110	30	130	150	1045

D: minimum 56mm

E: CA43(M): maximum 456mm;
CA53(M): maximum 556mm

VERY IMPORTANT:

The **TA** opening stoppers and the **TC** closing stoppers must be installed.

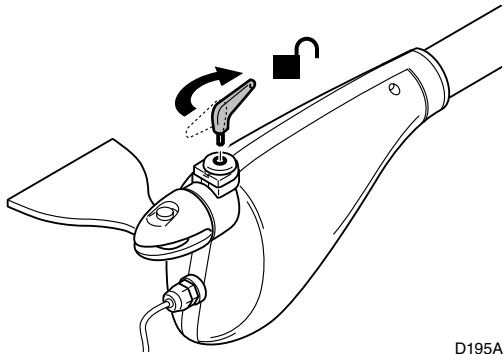


C195B

Manual operation

Unlocking (manual operation)

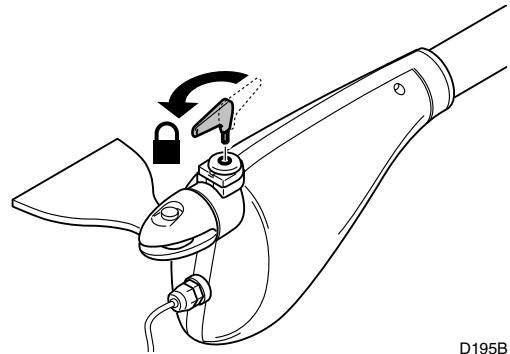
- Insert the key and turn it 180°.



D195A

Locking (motorised operation)

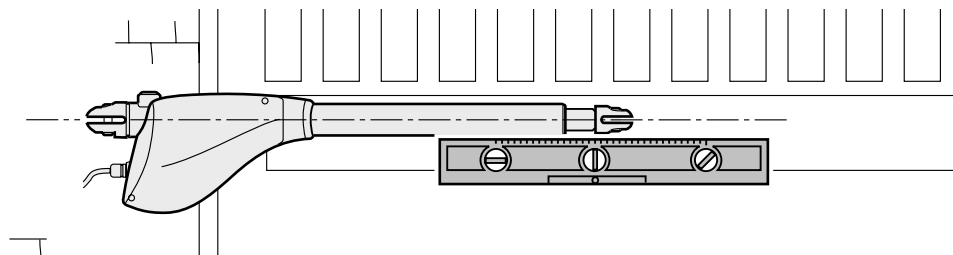
- Turn the key 180°.
- Place the protection device on the lock.



D195B

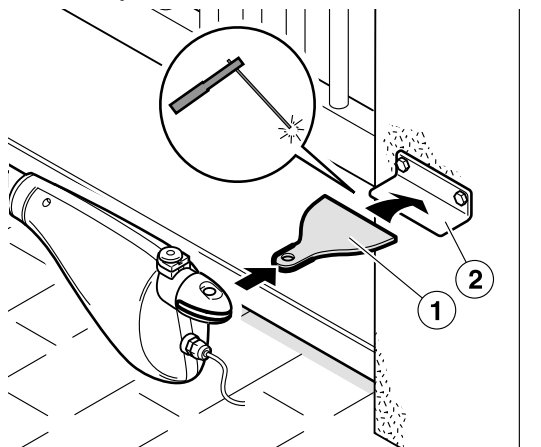
Assembly

- ✎ The brackets should be placed at the same height, thus ensuring that the operator is horizontal.



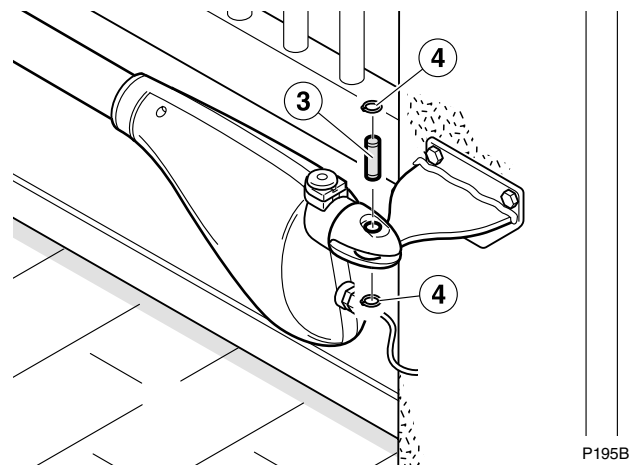
M195I

- 1 Mount the wall bracket (1). Use an auxiliary plate (2) if necessary (not included).



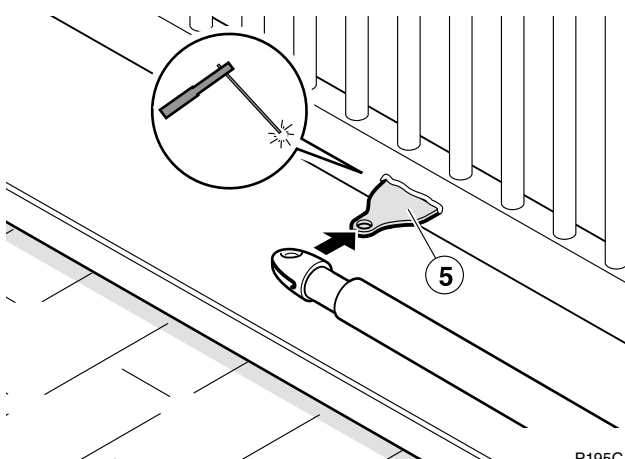
P195A

- 2 Mount the operator on the wall bracket, using the pin (3) and clips (4).



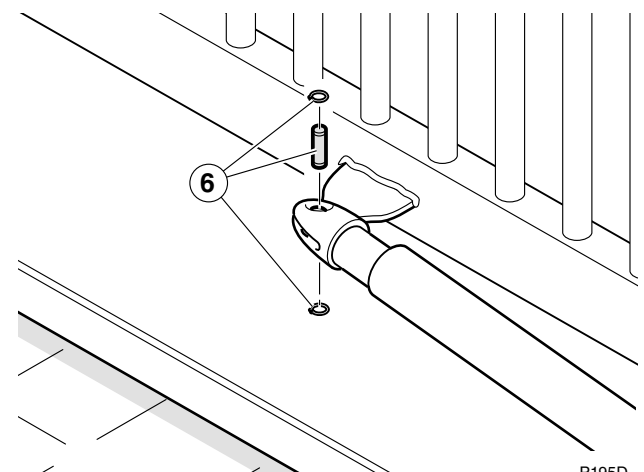
P195B

- 3 Position the gate bracket (5) and weld it on. Use an auxiliary plate if necessary (not included).



P195C

- 4 Mount the operator on the gate bracket, using the pin and clips (6).

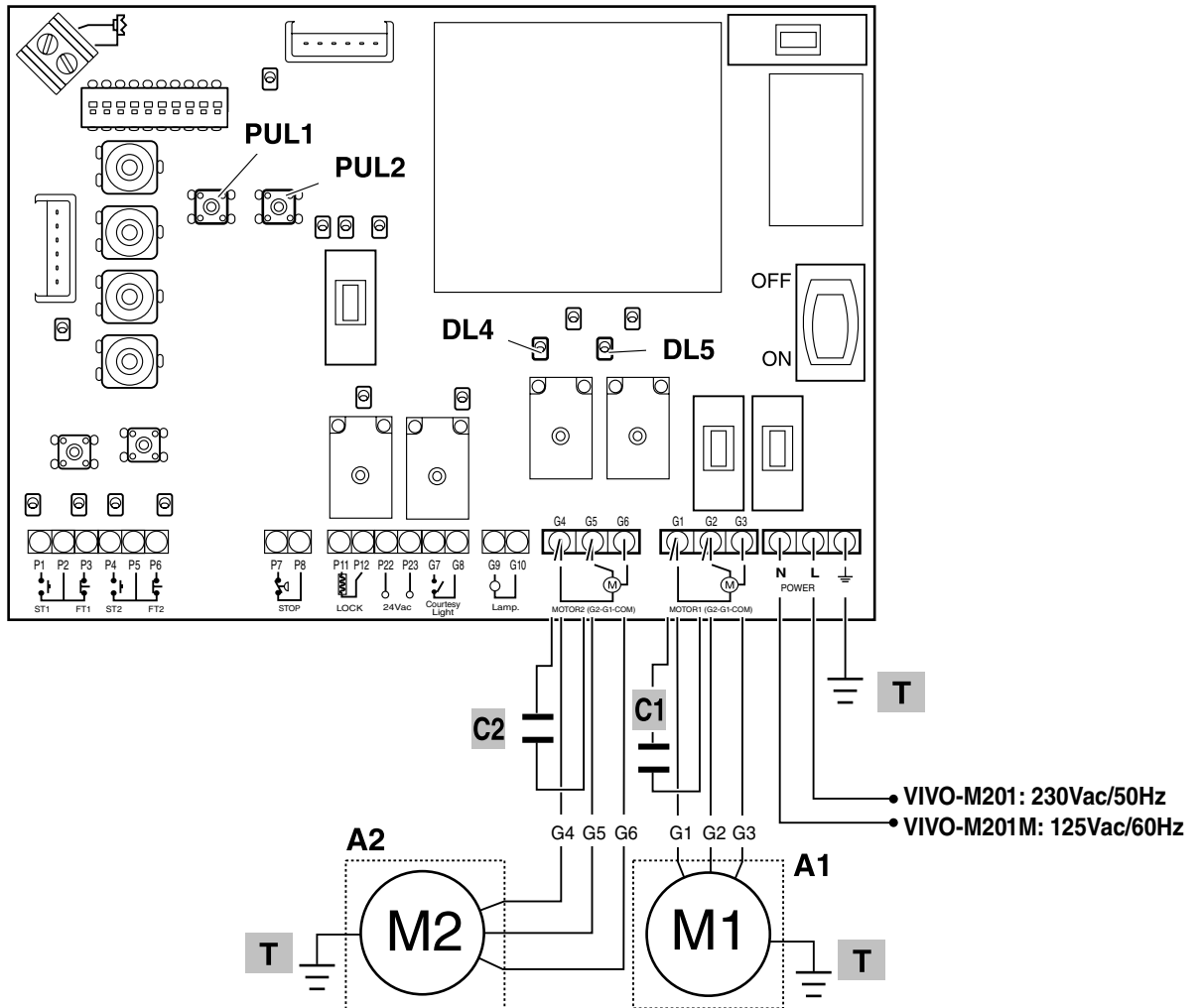


P195D

- 5 Carry out several opening and closing movements manually in order to check proper operation.

Electrical connections

- ✎ For **CA43 and CA53 (230V / 50Hz)** operators we recommend using the **VIVO-M101** control panel (for single operator facilities) and the **VIVO-M201** control panel (for dual operator facilities).
- ✎ For **CA43M and CA53M (125V / 60Hz)** operators we recommend using the **VIVO-M101M** control panel (for single operator facilities) and the **VIVO-M201M** control panel (for dual operator facilities).



- ✎ When pressing PUL1, DL5 lights up and the G2/G5 and G3/G6 cable connectors are activated.
- ✎ When pressing PUL2, DL4 lights up and the G1/G4 and G3/G6 cable connectors are activated.

A1, A2 operators
C1, C2 capacitors:
 CA43 and CA53 (230V): 8 μ F
 CA43M and CA53M (125V): 25 μ F

DL4 gate opening
DL5: gate closing
PUL1 close mini-pushbutton
PUL2 open mini-pushbutton
T Earth connection

Operator connections A1 / A2:

G1 / G4 open,
 CA43 and CA53 (230V): brown wire
 CA43M and CA53M (125V): red wire
G2 / G5 close, black wire
G3 / G6 common (COM),
 CA43 and CA53 (230V): grey wire
 CA43M and CA53M (125V): white wire
T earth (GND),
 CA43 and CA53 (230V): yellow - green wire
 CA43M and CA53M (125V): green wire

P195V