

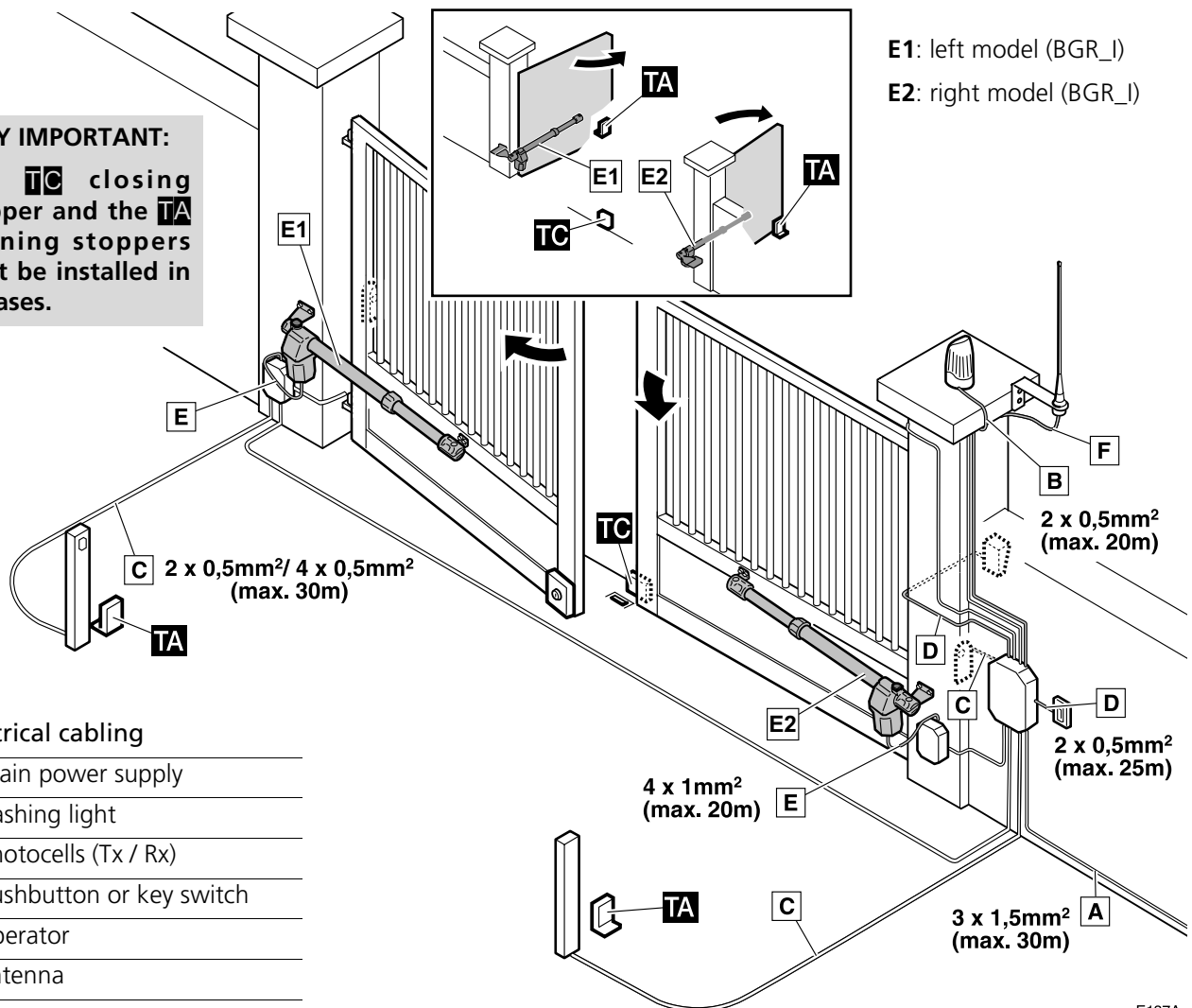
IMPORTANT NOTE

This quick guide is a summary of the complete installation manual. The manual contains safety warnings and other explanations which must be taken into account. The installation manual can be downloaded by going to the "Downloads" section at the Erreka website: <http://www.erreka.com>

Elements of the complete installation

VERY IMPORTANT:
The **TC** closing stopper and the **TA** opening stoppers must be installed in all cases.

E1: left model (BGR_I)
E2: right model (BGR_I)



Electrical cabling

- A: Main power supply
- B: Flashing light
- C: Photocells (Tx / Rx)
- D: Pushbutton or key switch
- E: Operator
- F: Antenna

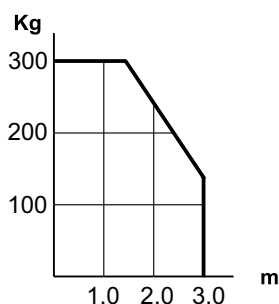
E137A

Limits on use

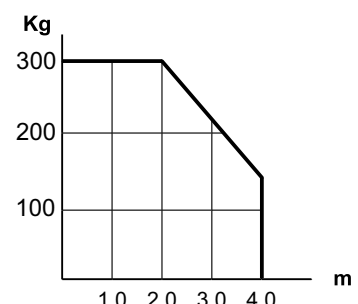
BGRBI-BGRBD; BGRBIM-BGRBDM;
BGRII-BGRRD

BGRBIL-BGRBDL;
BGRRII-BGRRD

- ✎ We recommend using an electrolock for leaf lengths of over 1.8m.
- ✎ Values for orientation purposes. The form of the leaf and the presence of strong wind may bring notable differences in the values of the chart.

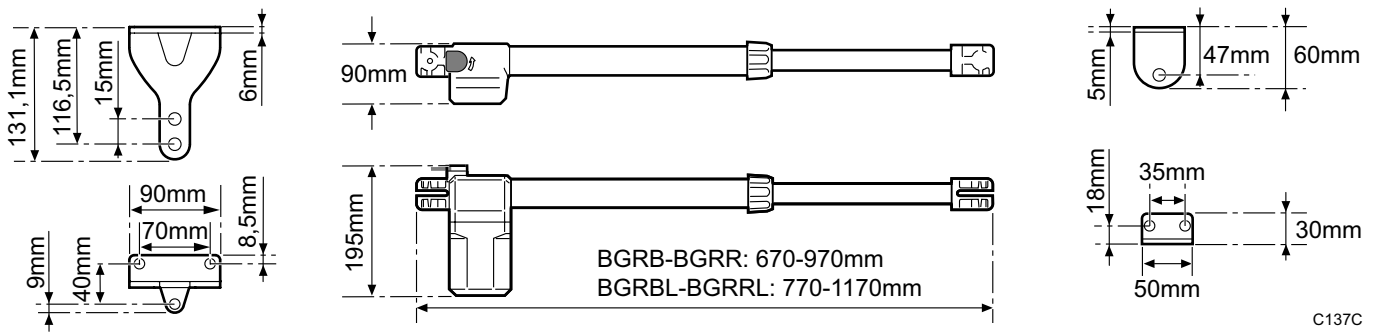


G68B



G68C

Dimensions



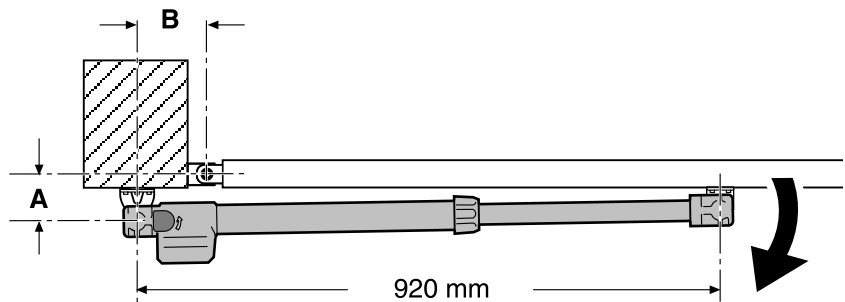
C137C

Assembly positions and levels

Levels A and B determine the opening angle C.

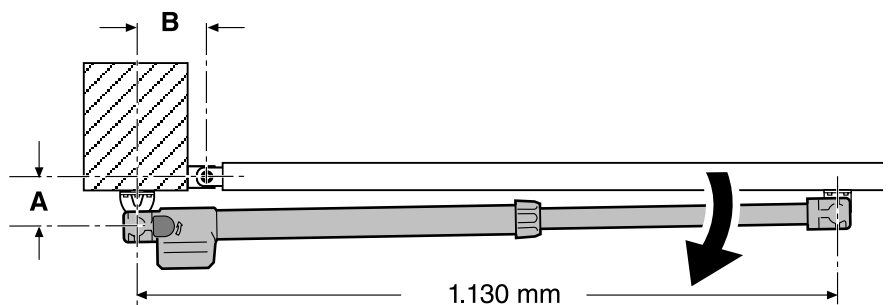
Short operator, inward opening (run: 300 mm)

A (cm)	B (cm)	C (°)
140	140	95
120	160	120



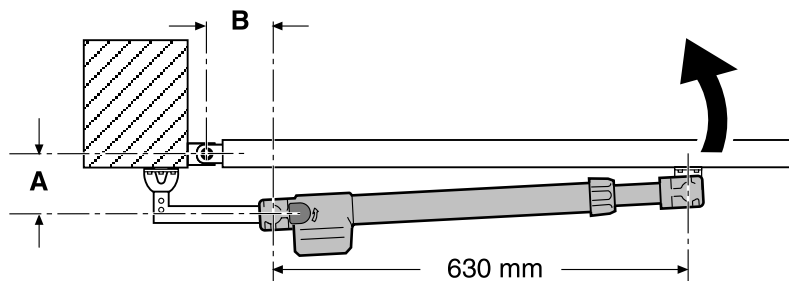
Long operator, inward opening (run: 400 mm)

A (cm)	B (cm)	C (°)
190	190	95
135	185	120



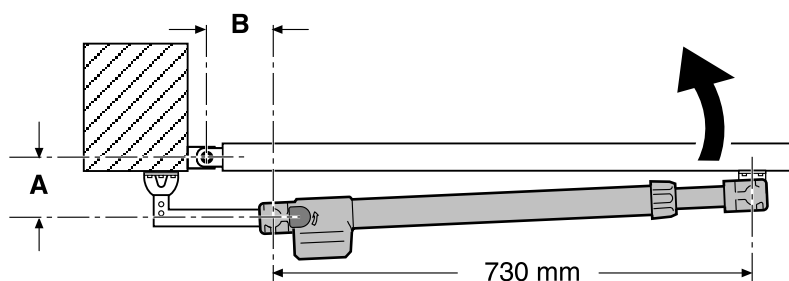
Short operator, outward opening (run: 300 mm)

A (cm)	B (cm)	C (°)
140	140	95
120	160	120



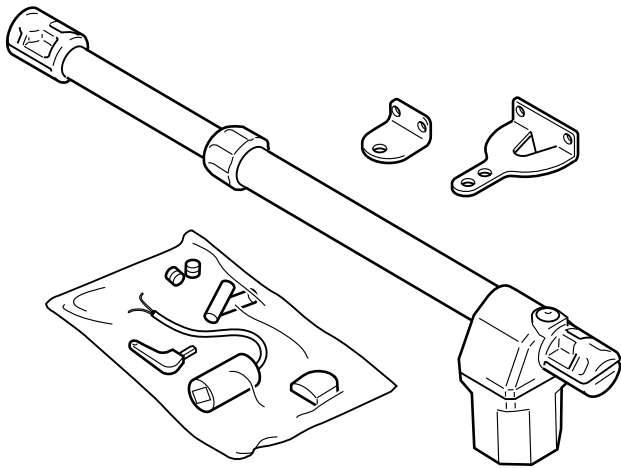
Long operator, outward opening (run: 400 mm)

A (cm)	B (cm)	C (°)
190	190	95
135	185	120



M137A

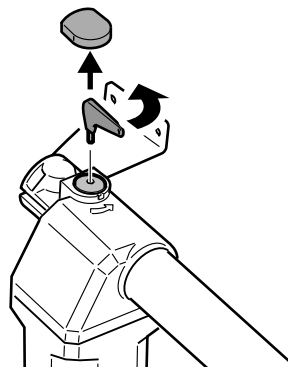
Components supplied



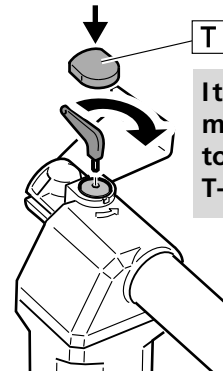
C137B

Manual drive

Unlocking
(manual operation)



Locking
(motorised operation)

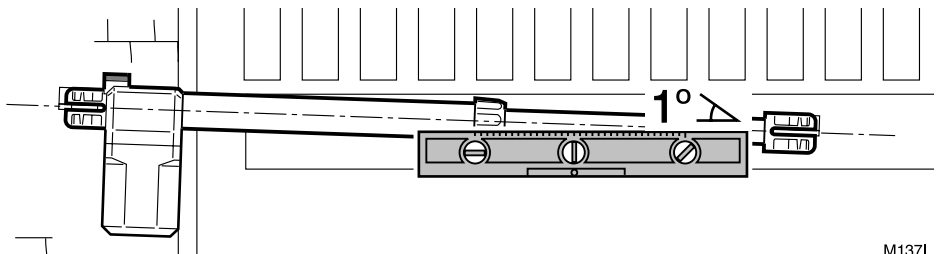


It is mandatory to place the T-cap.

D137A

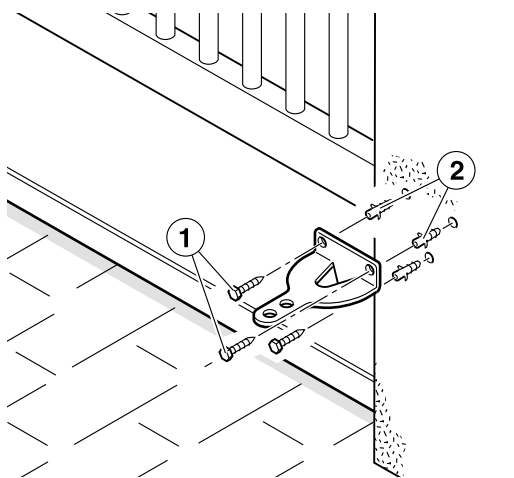
Assembly

The supports should be positioned so as the operator forms an angle of 1° with regards to the horizontal, remaining lower on the gate support side.



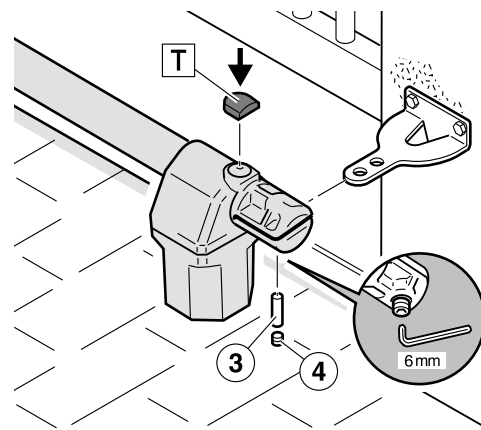
M137I

1 Mount the wall support



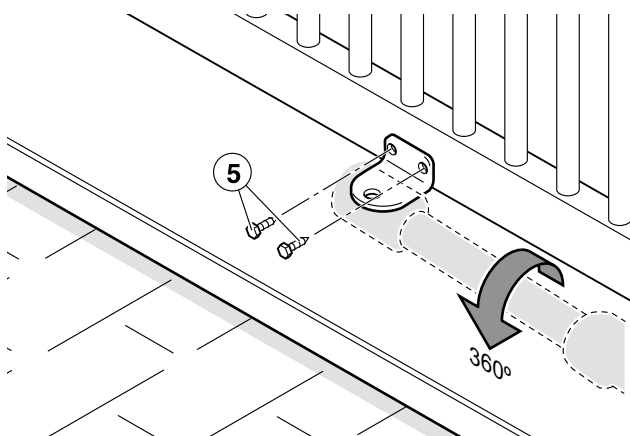
P137A

2 Mount the operator on the wall support
It is mandatory to place the T-cap.



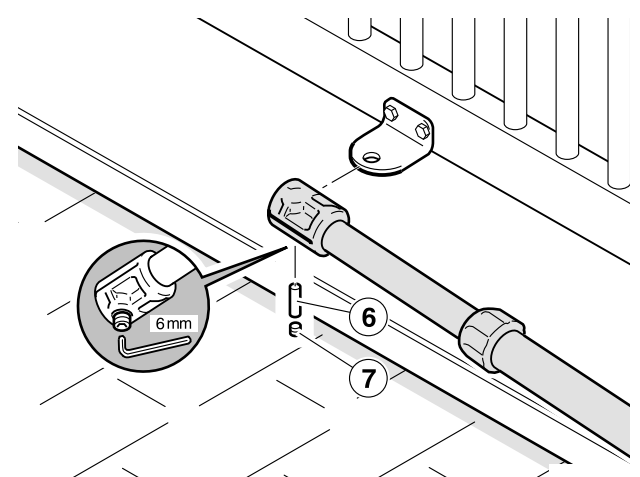
P137B

3 Extend the stem as far as it will go and then screw it in 1 full turn (360°). Then attach the gate bracket.



P137C

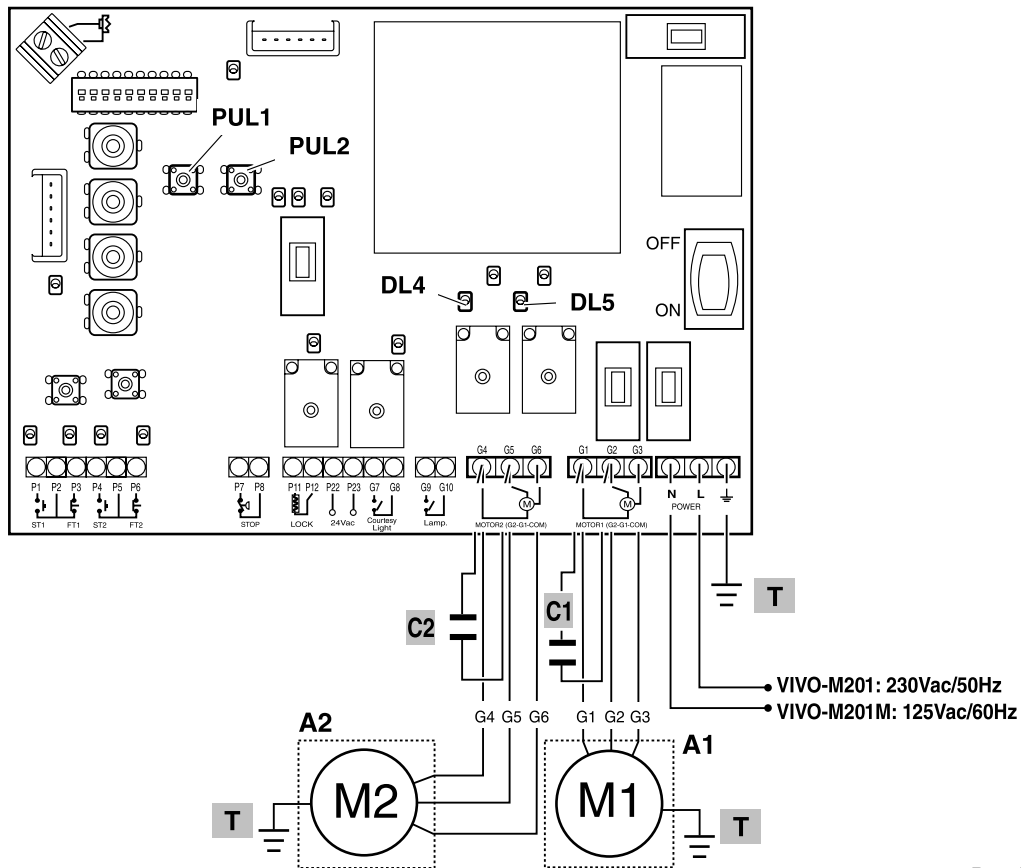
4 Mount the operator on the gate support



P137D

Electrical connections

- ☞ We recommend using the **VIVO-M101(M)** switchboard (for single operator installations) and **VIVO-M201(M)** (for twin operator installations).



- A1, A2** Operators
- C1, C2** Capacitors (230V-8 μ F / 110V-25 μ F)
- DL4** Gate opening
- DL5:** Gate closing
- PUL1** Close mini-pushbutton
- PUL2** Open mini-pushbutton
- T** Earth connection

Operator connections A1 / A2:

- G1 / G4** Open
- G2 / G5** Close
- G3 / G6** Common (COM), grey cable

- ☞ When pressing PUL1 (close), DL5 lights up and the G2/G5 and G3/G6 cable connectors are activated.

- ☞ When pressing PUL2 (open), DL4 lights up and the G1/G4 and G3/G6 cable connectors are activated.

P169V